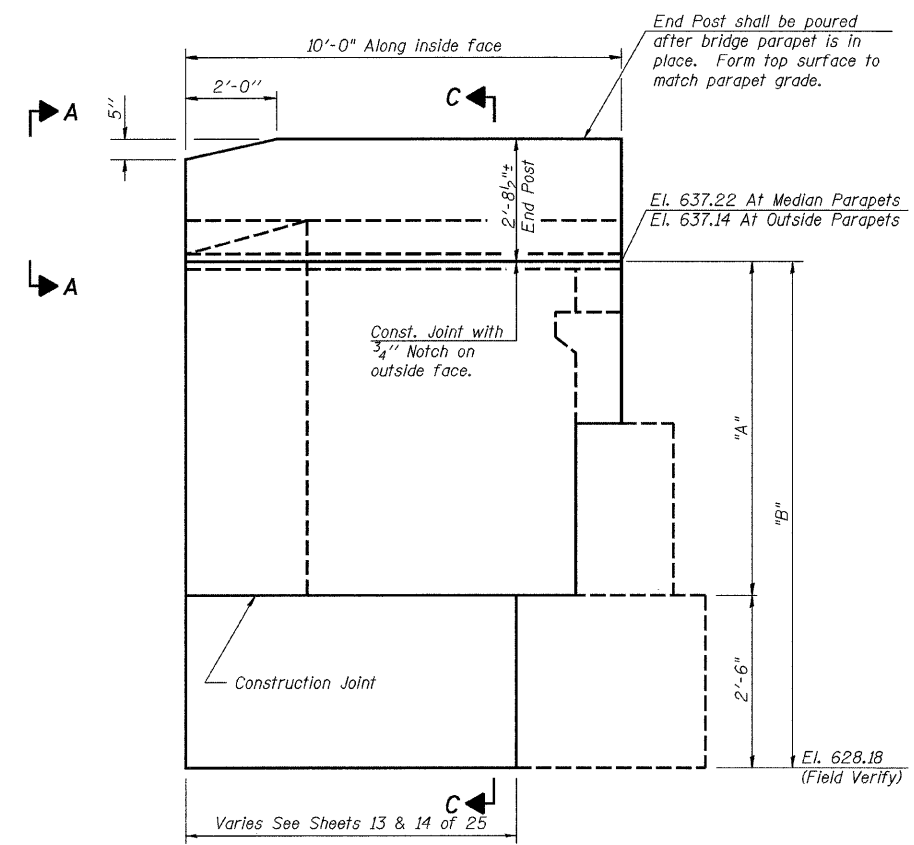


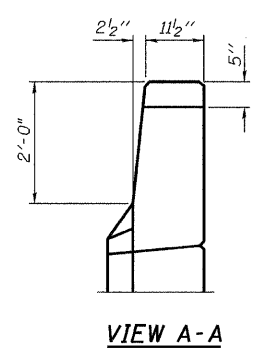
STATE OF ILLINOIS
DEPARTMENT OF TRANSPORTATION

ROUTE NO.	SECTION	COUNTY	TOTAL SHEETS	SHEET NO.	SHEET NO. 19
F.A.I. 80	*	BUREAU	116	68	29 SHEETS
FED. ROAD DIST. NO. 7	ILLINOIS	FED. AID PROJECT-			

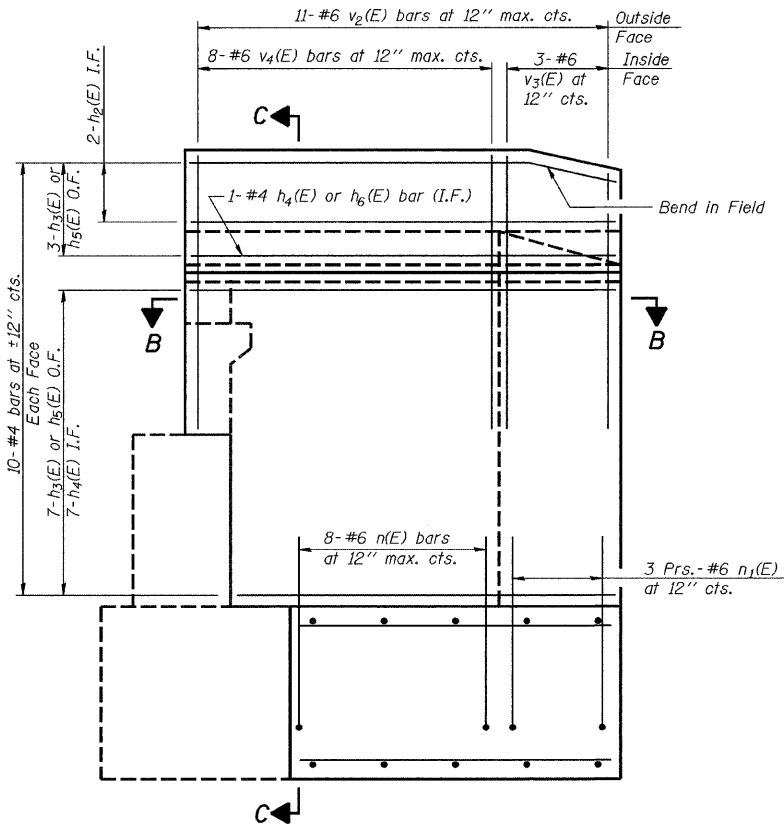
Contract #66623
* (06-1, 2)RS-3, I



WING WALL ELEVATION
Showing Dimensions

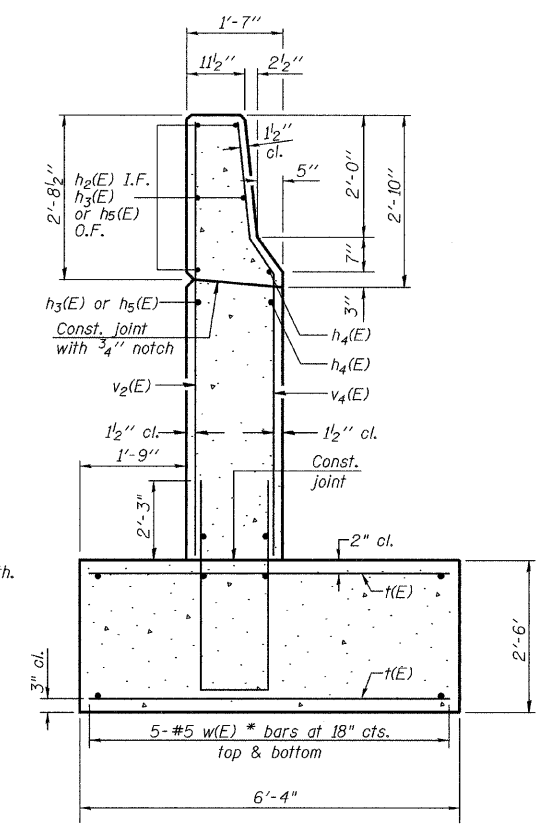


VIEW A-A



WING WALL ELEVATION
Showing Reinforcement

* Order w(E) bars full length. Cut to fit skew and use remainder of bars in opposite wingwall footing.



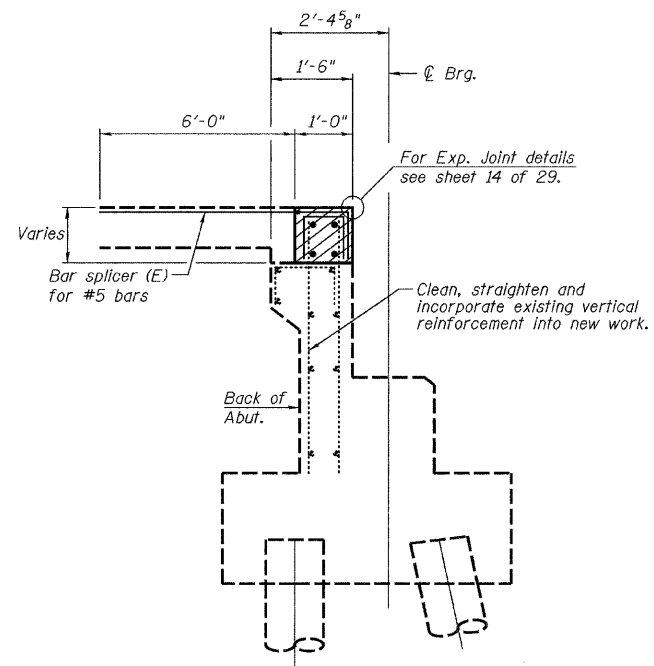
SECTION C-C

field cut v2(E), v4(E), h3(E), h4(E), & h5(E) to fit at existing abutment cap.

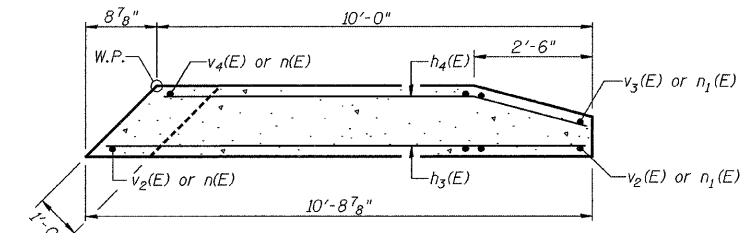
TABLE OF WINGWALL DIMENSIONS

	Northwest Wingwall		Southwest Wingwall		Northeast Wingwall		Southeast Wingwall	
	A	B	A	B	A	B	A	B
EASTBOUND	6'-6 1/2"	9'-0 1/2"	6'-5 1/2"	8'-11 1/2"	6'-6 1/2"	9'-0 1/2"	6'-5 1/2"	8'-11 1/2"
WESTBOUND	6'-5 1/2"	8'-11 1/2"	6'-6 1/2"	9'-0 1/2"	6'-5 1/2"	8'-11 1/2"	6'-6 1/2"	9'-0 1/2"

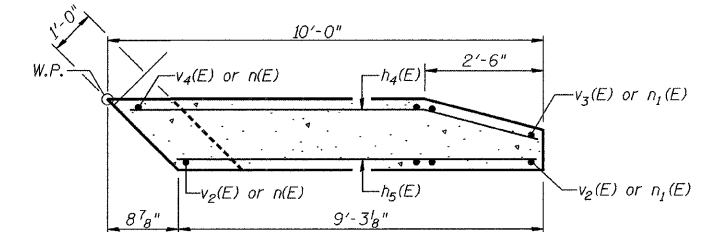
field verify "A" prior to ordering reinforcing bars



SEC. THRU ABUT.



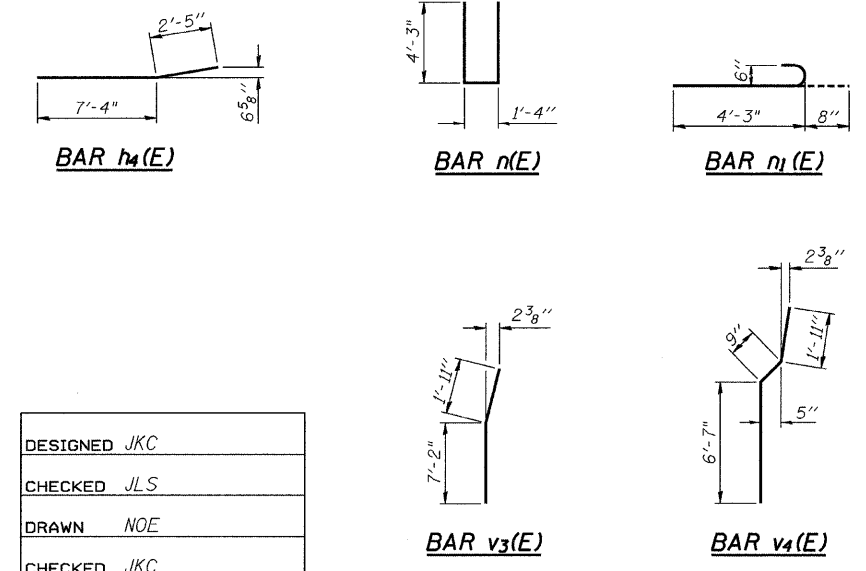
SECTION B-B AT NORTHEAST & SOUTHWEST WINGWALLS



SECTION B-B AT SOUTHEAST & NORTHWEST WINGWALLS

Notes:
Hatched area to be poured after superstructure false work has been removed. Quantity of concrete included with Concrete Superstructure.
Quantity of concrete in end post included with Concrete Superstructure on sheet 12 of 29.

Work this sheet with sheets 17, 18, 19 & 21.



DESIGNED	JKC
CHECKED	JLS
DRAWN	NOE
CHECKED	JKC

CHAMLIN & ASSOCIATES
PERU ILLINOIS MORRIS

WINGWALL DETAILS
F.A.I. 80 (I-80) OVER COAL CREEK
SECTION (06-1, 2)RS-3, I
BUREAU COUNTY
SN 006-0007 (EB)
SN 006-0008 (WB)
STA. 202+80