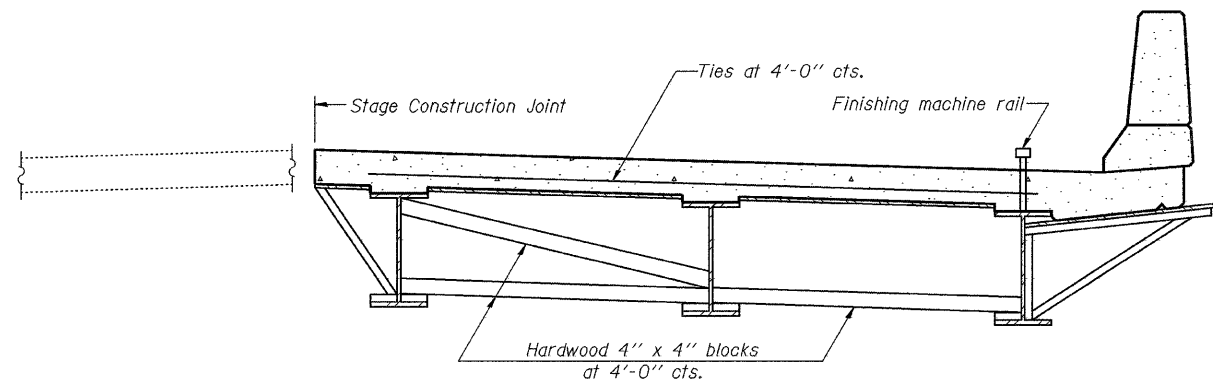


STATE OF ILLINOIS
DEPARTMENT OF TRANSPORTATION

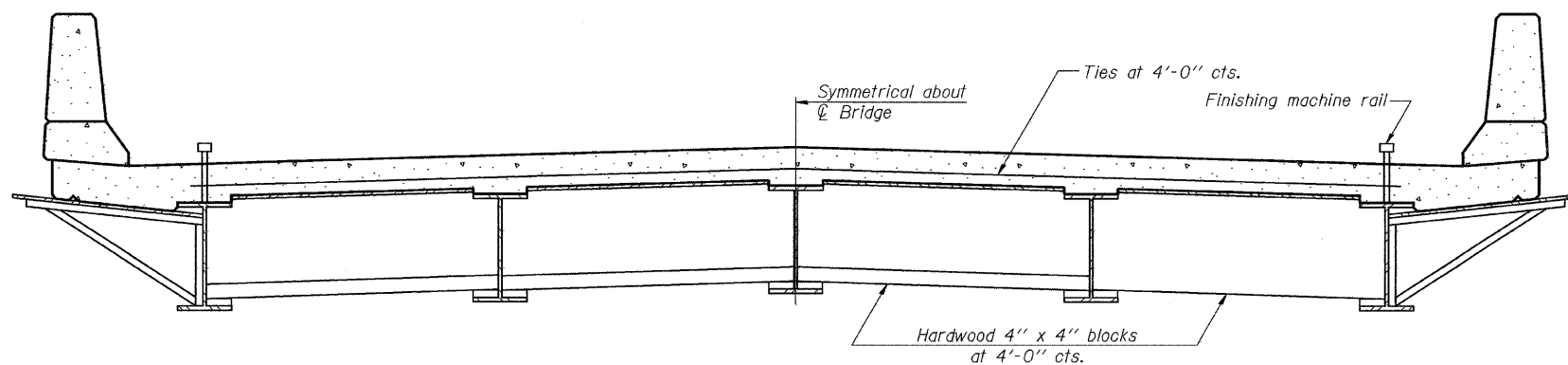
ROUTE NO.	SECTION	COUNTY	TOTAL SHEETS	SHEET NO.
F.A.I. 80	#	BUREAU	116	77
FED. ROAD DIST. NO. 7	ILLINOIS	FED. AID PROJECT-		

SHEET NO. 28
29 SHEETS

Contract #66623
* (06-1, 2)RS-3, I



FORM BRACES FOR STAGE CONSTRUCTION



FORM BRACES FOR STANDARD CONSTRUCTION

When cantilever forming brackets are used, the work shall be done according to Article 503.06(b) of the Standard Specifications, except as modified below and in the details shown on this sheet.

The finishing machine rails shall be placed on the top flange of the exterior beams.

The beams or girders, supporting cantilever forming brackets, shall be tied together at 4 foot intervals.

For Standard construction, or Stage Construction the Hardwood bracing materials shall be placed as shown between webs of beams in each bay.

DESIGNED	--
CHECKED	--
DRAWN	NOE
CHECKED	JKC

SB-1

5-16-08

CANTILEVER FORMING BRACKETS
F.A.I. 80 (I-80) OVER COAL CREEK
SECTION (06-1, 2)RS-3, I
BUREAU COUNTY
SN 006-0007 (EB)
SN 006-0008 (WB)
STA. 202+80

CHAMLIN & ASSOCIATES
PERU ILLINOIS MORRIS