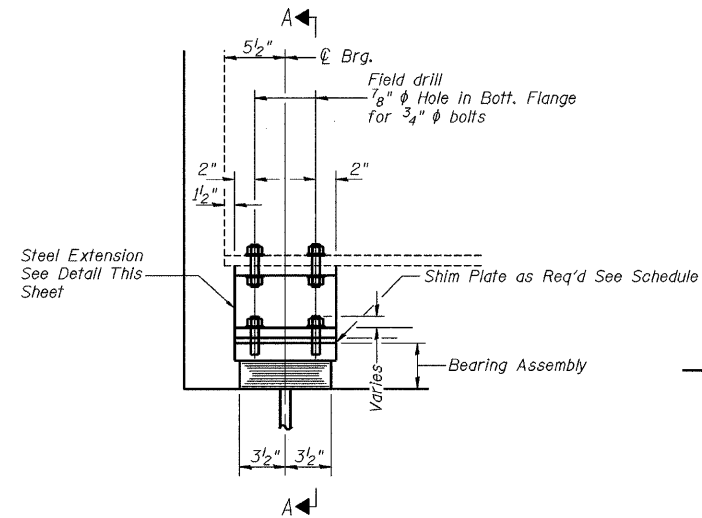


STATE OF ILLINOIS
DEPARTMENT OF TRANSPORTATION

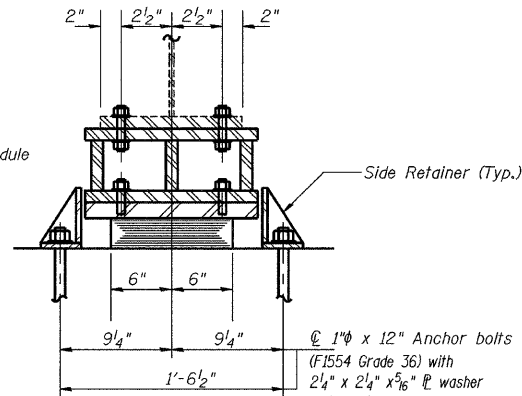
ROUTE NO.	SECTION	COUNTY	TOTAL SHEETS	SHEET NO.
F.A.I. 80	*	BUREAU	116	93
FED. ROAD DIST. NO. 7	ILLINOIS	FED. AID PROJECT-		

SHEET NO. 15
29 SHEETS

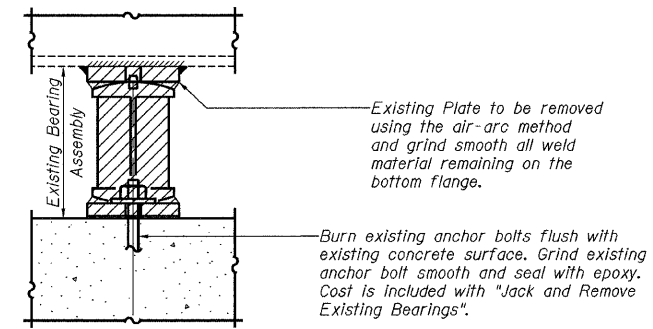
Contract #66623
* (06-1, 2)RS-3, I



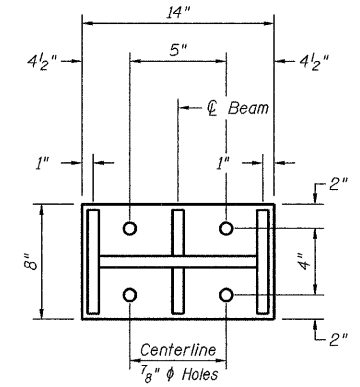
ELEVATION AT ABUT.



SECTION A-A

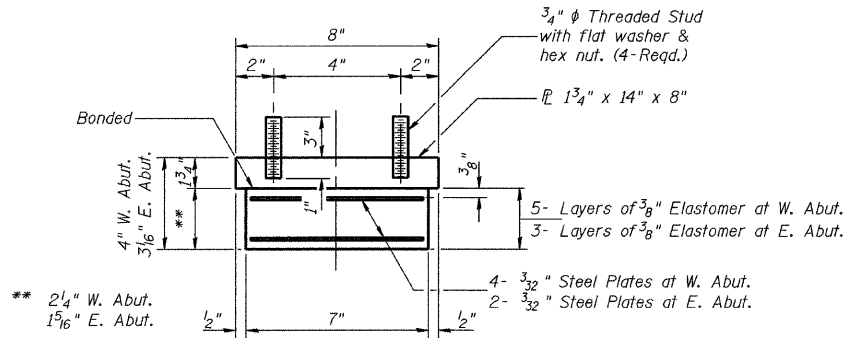


EXISTING BEARING REMOVAL DETAIL



PLAN STEEL EXTENSION

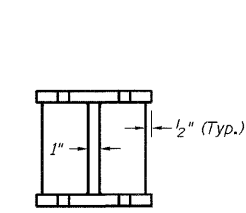
TYPE I ELASTOMERIC EXP. BRG.



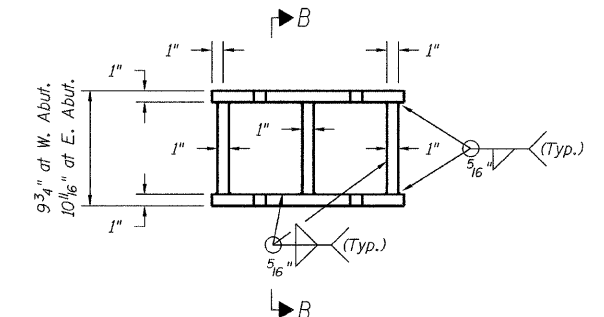
BEARING ASSEMBLY

Notes:
Anchor bolts shall be ASTM F1554 all-thread (or an Engineer-approved alternate material) of the grade(s) and diameter(s) specified. ASTM A307 Grade C anchor bolts may be used in lieu of ASTM F1554 Grade 36 (Fy=36ksi). The corresponding specified grade of AASHTO M314 anchor bolts may be used in lieu of ASTM F1554.
Drilled and set anchor bolts shall be installed according to Article 521.06 of the Standard Specifications.
Side retainers and other steel members required for the bearing assembly shall be included in the cost of Elastomeric Bearing Assembly, Type I.

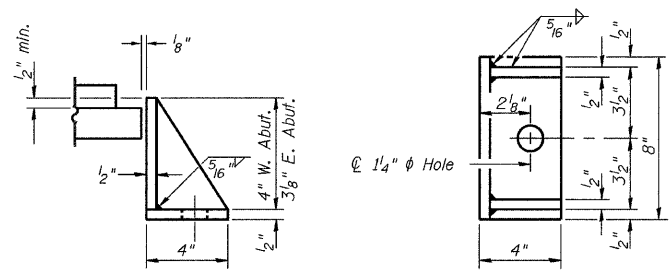
Note:
Shim plates shall not be placed under Bearing Assembly.



SECTION B-B



ELEVATION STEEL EXTENSION



SIDE RETAINER
Equivalent rolled angle with stiffeners will be allowed in lieu of welded plates.

STEEL EXTENSION DETAILS
28 REQUIRED - TWO AT EACH EXISTING BEAM

	W. Abutment	E. Abutment
BM 1	-	-
BM 2	13/16	13/16
BM 3	-	-
BM 4	13/16	13/16
BM 5	-	-
BM 6	13/16	13/16
BM 7	-	-
BM 8	-	-
BM 9	13/16	13/16
BM 10	-	-
BM 11	13/16	13/16
BM 12	-	-
BM 13	13/16	13/16
BM 14	-	-

BILL OF MATERIAL

Item	Unit	Total
Elastomeric Bearing Assembly Type I	Each	28
Anchor Bolts 1"φ	Each	56
Furnishing and Erecting Structural Steel *	Pound	4190

* Includes steel assembly above elastomeric bearing.

BEARING DETAILS
F.A.I. 80 (I-80) OVER DRAINAGE DITCH
SECTION (06-1, 2)RS-3, I
BUREAU COUNTY
SN 006-0009 (EB)
SN 006-0010 (WB)
STA. 423+15

CHAMLIN ASSOCIATES
PERU ILLINOIS MORRIS

DESIGNED	JKC
CHECKED	JLS
DRAWN	NOE
CHECKED	JKC