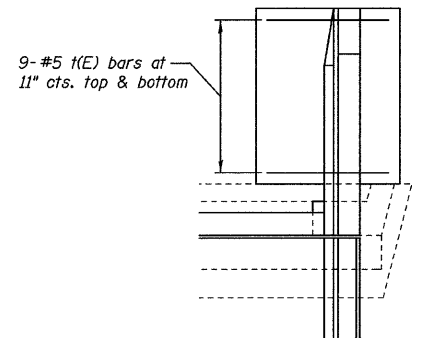
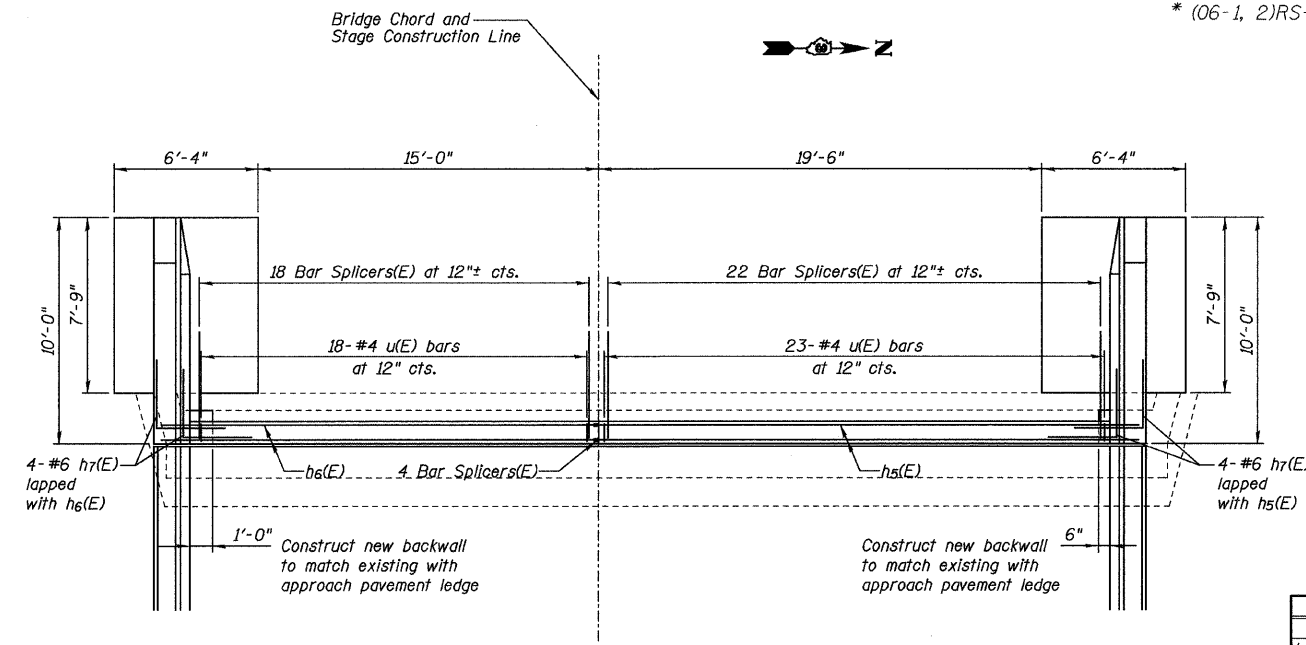
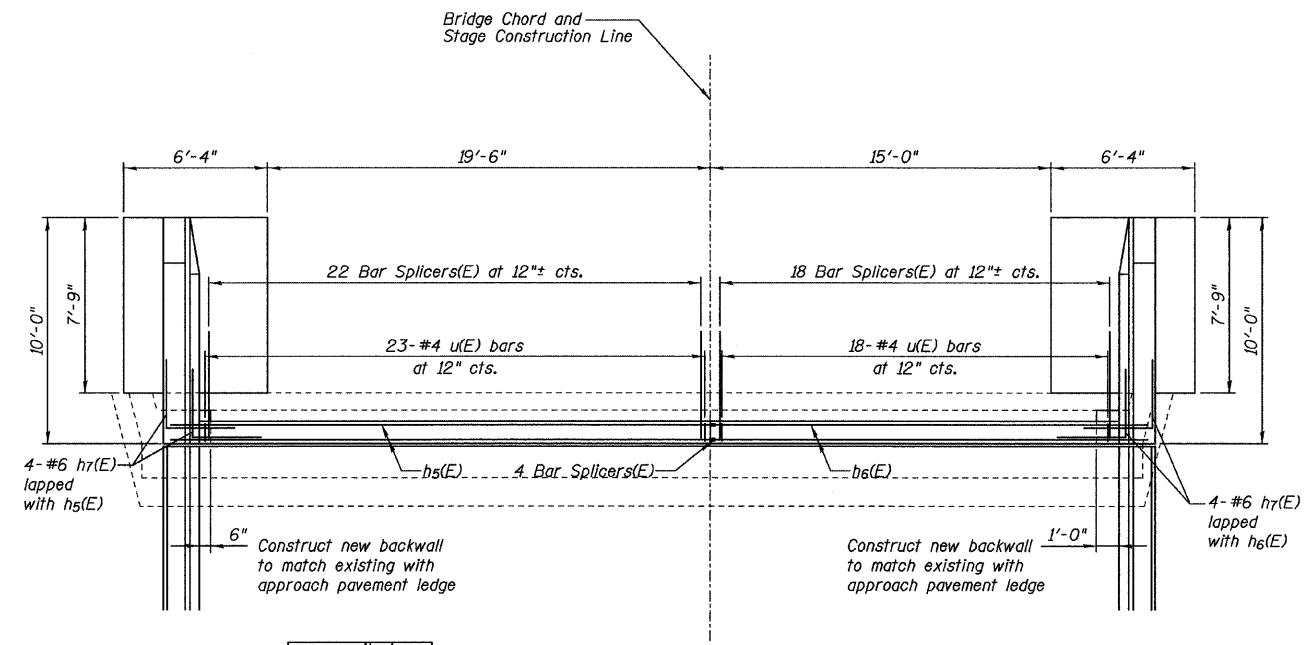


STATE OF ILLINOIS
DEPARTMENT OF TRANSPORTATION

ROUTE NO. F.A.I. 80	SECTION *	COUNTY BUREAU	TOTAL SHEETS 116	SHEET NO. 94	SHEET NO. 16 29 SHEETS
FED. ROAD DIST. NO. 7	ILLINOIS	FED. AID PROJECT			

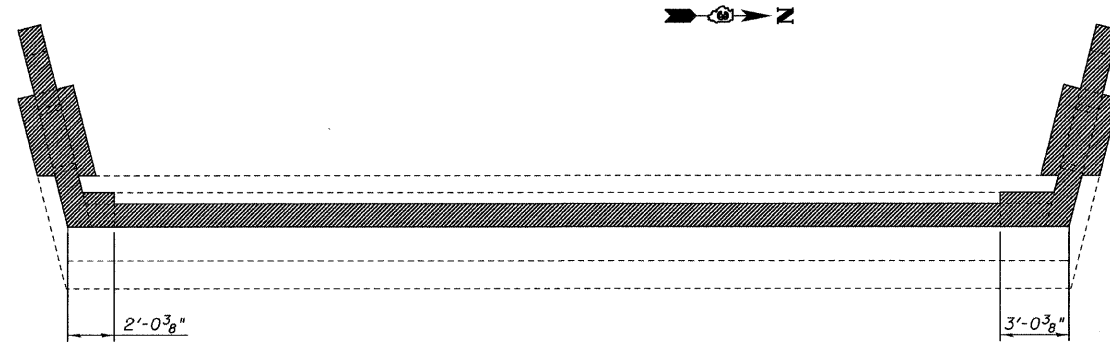
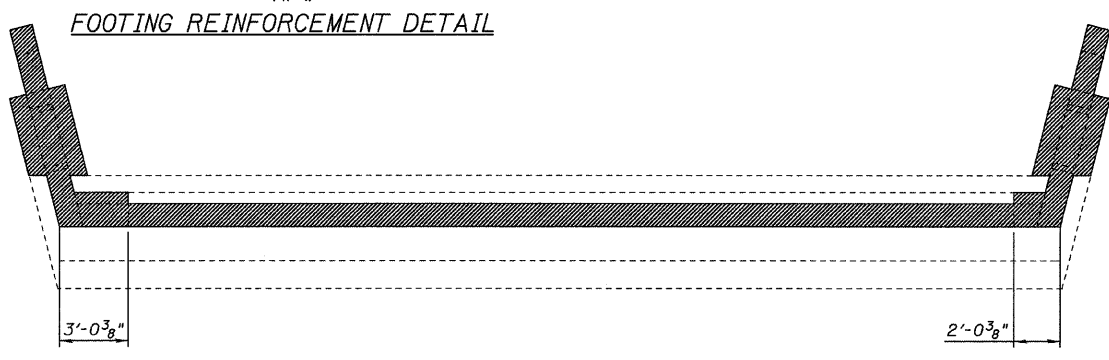
Contract #66623
* (06-1, 2)RS-3, I



EASTBOUND

WESTBOUND

PLAN VIEW - WEST ABUTMENTS
Showing New Construction



EASTBOUND

WESTBOUND

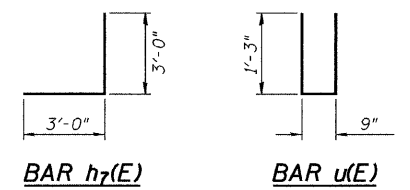
PLAN VIEW - WEST ABUTMENTS
Showing Concrete Removal

LEGEND
Concrete Removal

Work this sheet with
sheets 18, 20, and 21 of 29.

SUBSTRUCTURE
BILL OF MATERIAL
(2 Abutments)

Bar	No.	Size	Length	Shape
h3(E)	48	#4	9'-9"	—
h4(E)	32	#4	9'-9"	—
h5(E)	8	#6	23'-9"	—
h6(E)	8	#6	19'-3"	—
hr(E)	16	#6	6'-0"	┘
r(E)	24	#6	9'-10"	—
r1(E)	24	#6	4'-11"	—
t(E)	36	#5	6'-0"	—
u(E)	82	#4	3'-3"	—
v2(E)	22	#6	9'-1"	—
v3(E)	6	#6	9'-1"	—
v4(E)	16	#6	9'-3"	—
v5(E)	22	#6	8'-5"	—
v6(E)	6	#6	8'-5"	—
v7(E)	16	#6	8'-7"	—
w(E)	40	#5	7'-6"	—
Reinforcement Bars, Epoxy Coated	Pound		3,600	
Concrete Structures	Cu. Yds.		32	
Concrete Removal	Cu. Yds.		20	
Structure Excavation	Cu. Yds.		115.5	



DESIGNED	JKC
CHECKED	JLS
DRAWN	NOE
CHECKED	JKC

CHAMLIN & ASSOCIATES
PERU ILLINOIS MORRIS

WEST ABUTMENT DETAILS
F.A.I. 80 (I-80) OVER DRAINAGE DITCH
SECTION (06-1, 2)RS-3, I
BUREAU COUNTY
SN 006-0009 (EB)
SN 006-0010 (WB)
STA. 423+15