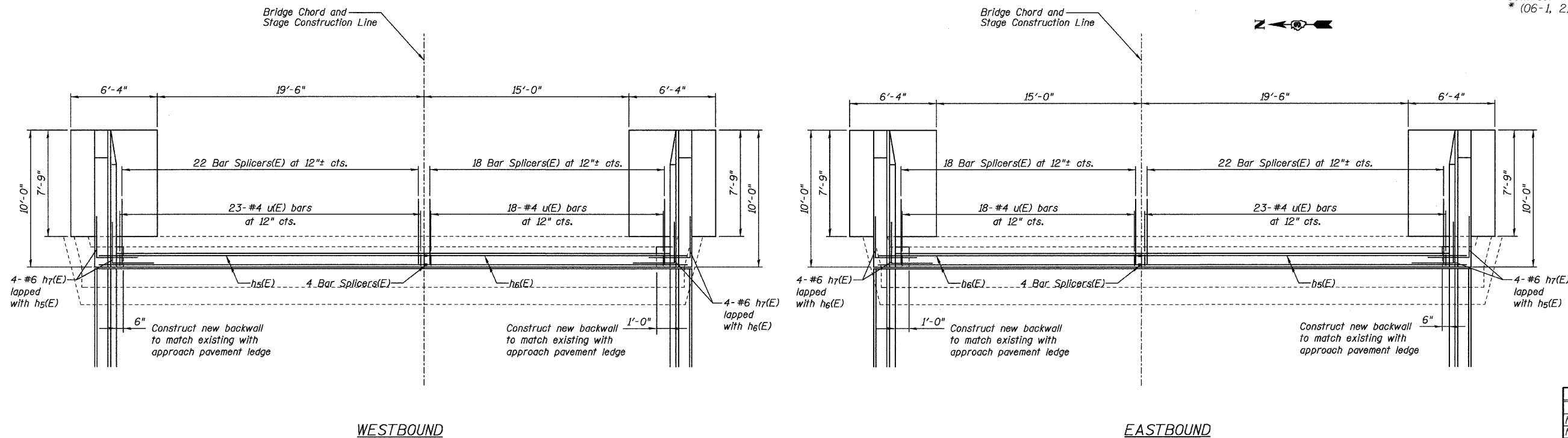


STATE OF ILLINOIS
DEPARTMENT OF TRANSPORTATION

ROUTE NO.	SECTION	COUNTY	TOTAL SHEETS	SHEET NO.	SHEET NO. 17 29 SHEETS
F.A.I. 80	#	BUREAU	116	95	
FED. ROAD DIST. NO. 7	ILLINOIS	FED. AID PROJECT			

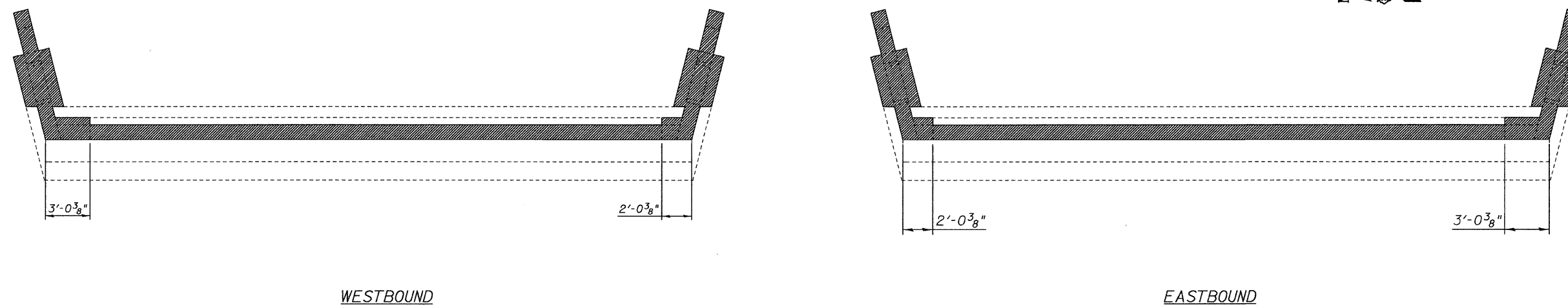
Contract #66623
* (06-1, 2)RS-3, I



WESTBOUND

EASTBOUND

PLAN VIEW - EAST ABUTMENTS
Showing New Construction



WESTBOUND

EASTBOUND

PLAN VIEW - EAST ABUTMENTS
Showing Concrete Removal

LEGEND
■ Concrete Removal

SUBSTRUCTURE
BILL OF MATERIAL
(2 Abutments)

Bar	No.	Size	Length	Shape
h3(E)	48	#4	9'-9"	—
h4(E)	32	#4	9'-9"	—
h5(E)	8	#6	23'-9"	—
h6(E)	8	#6	19'-3"	—
h7(E)	16	#6	6'-0"	J
n(E)	24	#6	9'-10"	—
n1(E)	24	#6	4'-11"	—
t(E)	36	#5	6'-0"	—
u(E)	82	#4	3'-3"	—
v2(E)	22	#6	9'-1"	—
v3(E)	6	#6	9'-1"	—
v4(E)	16	#6	9'-3"	—
v5(E)	22	#6	8'-5"	—
v6(E)	6	#6	8'-5"	—
v7(E)	16	#6	8'-7"	—
w(E)	40	#5	7'-6"	—
Reinforcement Bars, Epoxy Coated			Pound	3,600
Concrete Structures			Cu. Yds.	32
Concrete Removal			Cu. Yds.	20
Structure Excavation			Cu. Yds.	115.5

See Sheets 16 and 18 for bent bar details.

Work this sheet with sheets 18, 20, and 21 of 29.

EAST ABUTMENT DETAILS
F.A.I. 80 (I-80) OVER DRAINAGE DITCH
SECTION (06-1, 2)RS-3, I
BUREAU COUNTY
SN 006-0009 (EB)
SN 006-0010 (WB)
STA. 423+15

DESIGNED	JKC
CHECKED	JLS
DRAWN	NOE
CHECKED	JKC

CHAMLIN & ASSOCIATES
PERU ILLINOIS MORRIS