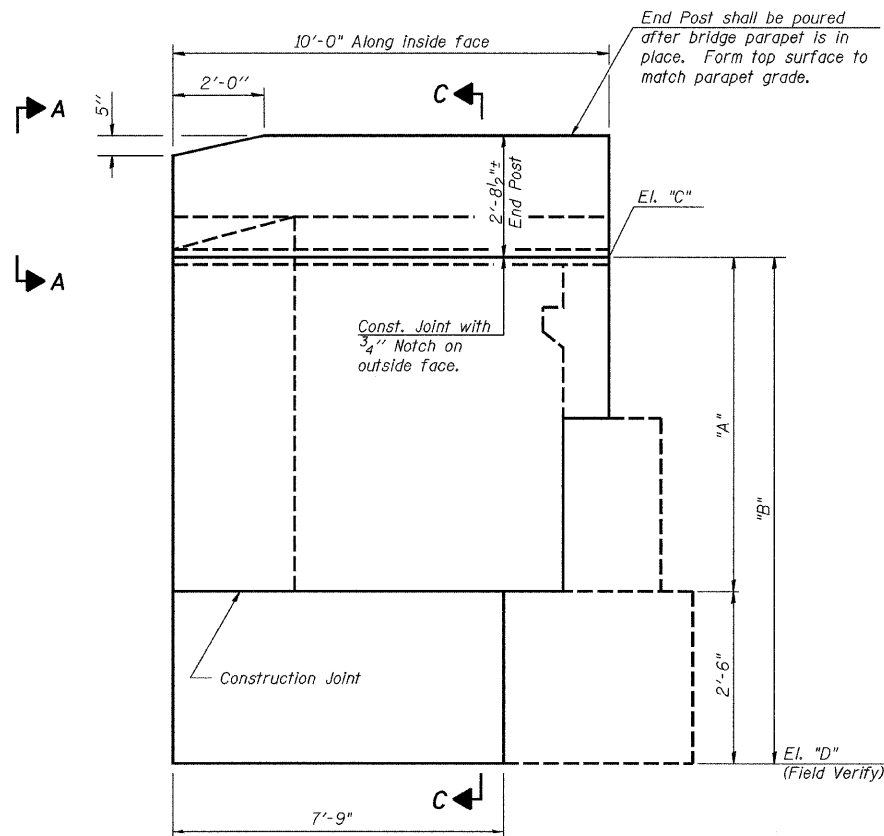


STATE OF ILLINOIS
DEPARTMENT OF TRANSPORTATION

ROUTE NO.	SECTION	COUNTY	TOTAL SHEETS	SHEET NO.
F.A.I. 80	*	BUREAU	116	96
FED. ROAD DIST. NO. 7	ILLINOIS	FED. AID PROJECT-		

SHEET NO. 18
29 SHEETS

Contract #66623
* (06-1, 2)RS-3, I



WING WALL ELEVATION
Showing Dimensions

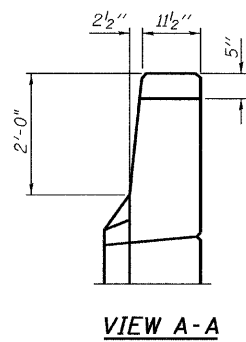
TABLE OF WINGWALL DIMENSIONS

WESTBOUND STRUCTURE	A	B	C	D
Northwest Wingwall	6'-9 ⁵ / ₈ "	9'-3 ⁵ / ₈ "	643.64	634.34
Southwest Wingwall	6'-2"	8'-8"	643.00	634.34
Northeast Wingwall	6'-6 ¹ / ₂ "	9'-0 ¹ / ₂ "	643.69	634.65
Southeast Wingwall	5'-10 ⁷ / ₈ "	8'-4 ⁷ / ₈ "	643.05	634.65

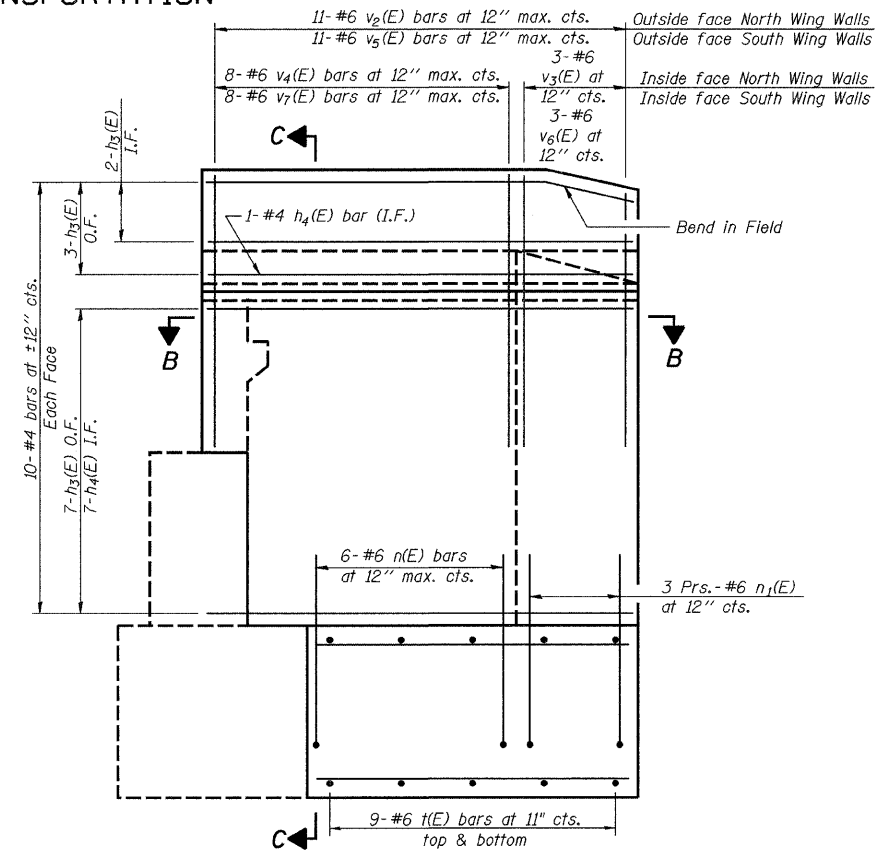
field verify "A" prior to ordering reinforcing bars

EASTBOUND STRUCTURE	A	B	C	D
Northwest Wingwall	6'-6 ¹ / ₂ "	9'-0 ¹ / ₂ "	643.51	634.47
Southwest Wingwall	5'-10 ⁵ / ₈ "	8'-4 ⁵ / ₈ "	642.85	634.47
Northeast Wingwall	6'-7 ⁷ / ₈ "	9'-1 ⁷ / ₈ "	643.60	634.45
Southeast Wingwall	6'-0"	8'-6"	642.94	634.45

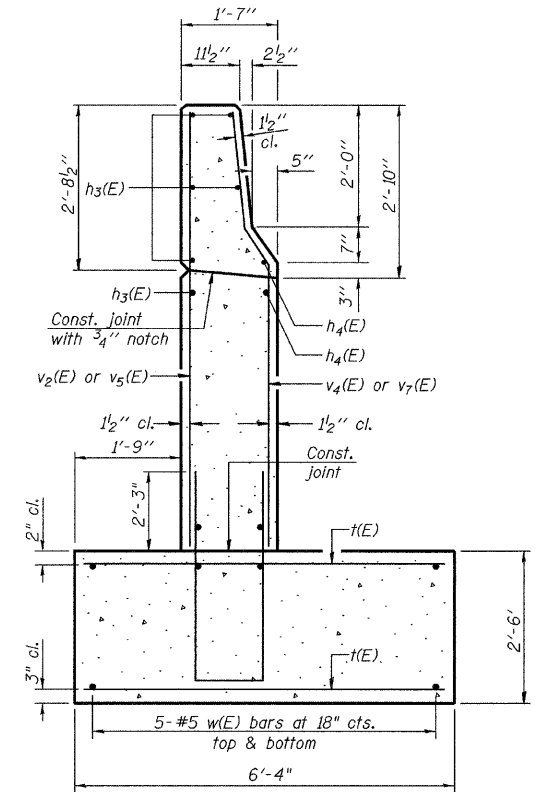
field verify "A" prior to ordering reinforcing bars



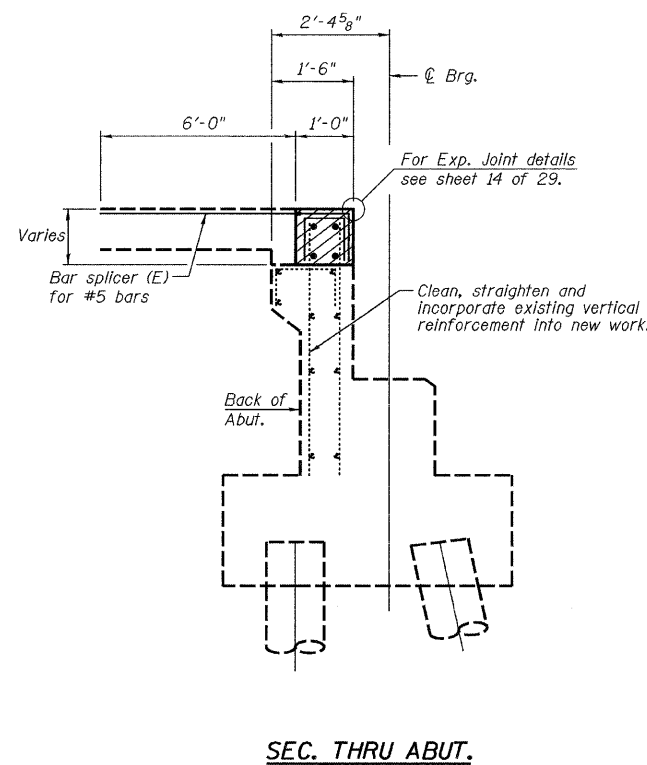
VIEW A-A



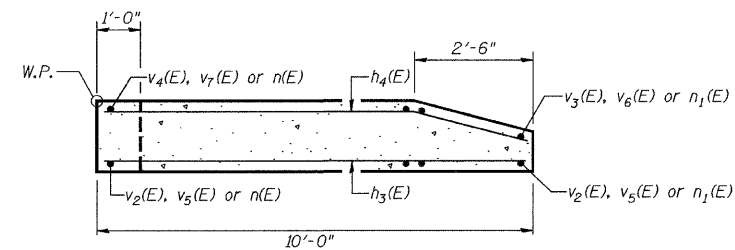
WING WALL ELEVATION
Showing Reinforcement



SECTION C-C



SEC. THRU ABUT.



SECTION B-B

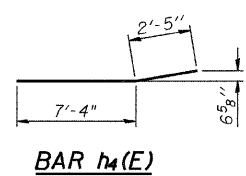
Notes:
Hatched area to be poured after superstructure false work has been removed. Quantity of concrete included with Concrete Superstructure.
Quantity of concrete in end post included with Concrete Superstructure on sheet 12 of 29.

Work this sheet with sheets 16, 17, 20, and 21 of 29.

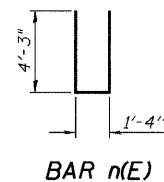
CHAMLIN & ASSOCIATES
PERU ILLINOIS MORRIS

WINGWALL DETAILS
F.A.I. 80 (I-80) OVER DRAINAGE DITCH
SECTION (06-1, 2)RS-3, I
BUREAU COUNTY
SN 006-0009 (EB)
SN 006-0010 (WB)
STA. 423+15

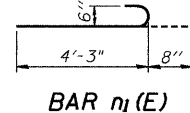
DESIGNED	JKC
CHECKED	JLS
DRAWN	NOE
CHECKED	JKC



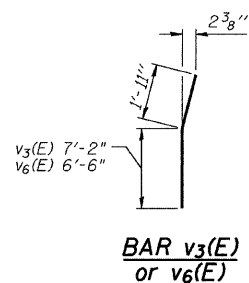
BAR h4(E)



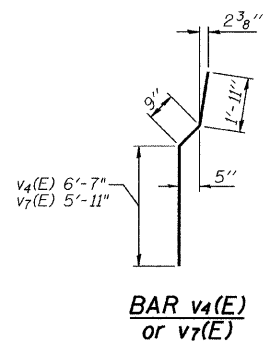
BAR n(E)



BAR n1(E)



**BAR v3(E)
or v6(E)**



**BAR v4(E)
or v7(E)**