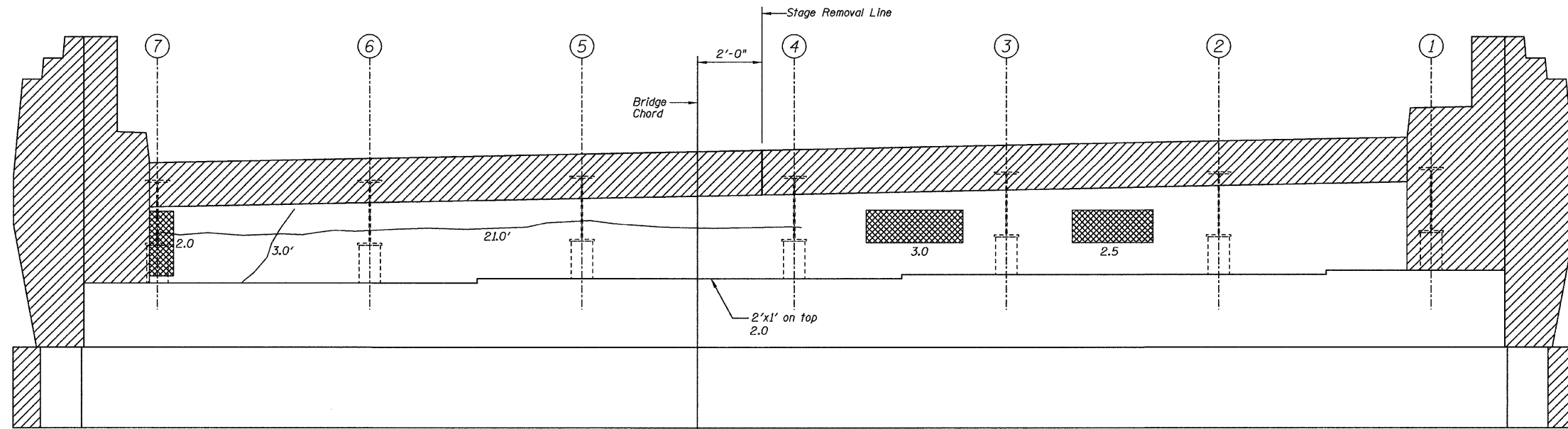


STATE OF ILLINOIS
DEPARTMENT OF TRANSPORTATION

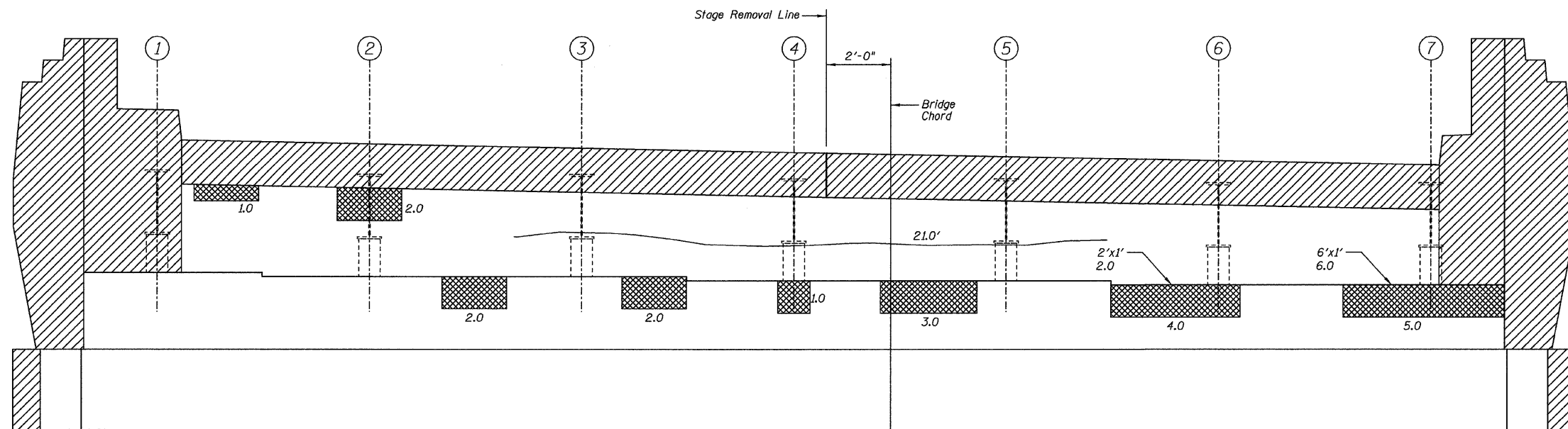
ROUTE NO.	SECTION	COUNTY	TOTAL SHEETS	SHEET NO.	SHEET NO. 20
F.A.I. 80	*	BUREAU	116	98	29 SHEETS
FED. ROAD DIST. NO. 7	ILLINOIS	FED. AID PROJECT			

Contract #66623
* (06-1, 2)RS-3, I



WEST ABUTMENT ELEVATION

Note:
Existing vertical reinforcement over abutment backwall shall be cleaned and incorporated into the new construction. Cost included with concrete removal.



EAST ABUTMENT ELEVATION

LEGEND

- Structural Repair of Concrete ≤ 5"
- Epoxy Crack Injection w/ Length
- Concrete Removal

Item	Unit	Total
Structural Repair of Concrete (Depth Equal to or Less Than 5 Inches)	Sq. Ft.	37.5
Epoxy Crack Injection	Foot	45

Work this sheet with sheets 16, 17, and 18 of 29.

DESIGNED	--
CHECKED	JKC
DRAWN	NOE
CHECKED	JKC

CHAMLIN & ASSOCIATES
PERU ILLINOIS MORRIS

FOUNDATION REPAIR PLANS
WESTBOUND
ABUTMENT ELEVATIONS
F.A.I. 80 (I-80) OVER DRAINAGE DITCH
SECTION (06-1, 2)RS-3, I
BUREAU COUNTY
SN 006-0009 (EB)
SN 006-0010 (WB)
STA. 423+15