

STATE OF ILLINOIS
DEPARTMENT OF TRANSPORTATION

ROUTE NO.	SECTION	COUNTY	TOTAL SHEETS	SHEET NO.	SHEET NO. 28 29 SHEETS
F.A.I. 80	#	BUREAU	116	106	
FED. ROAD DIST. NO. 7	ILLINOIS		FED. AID PROJECT		

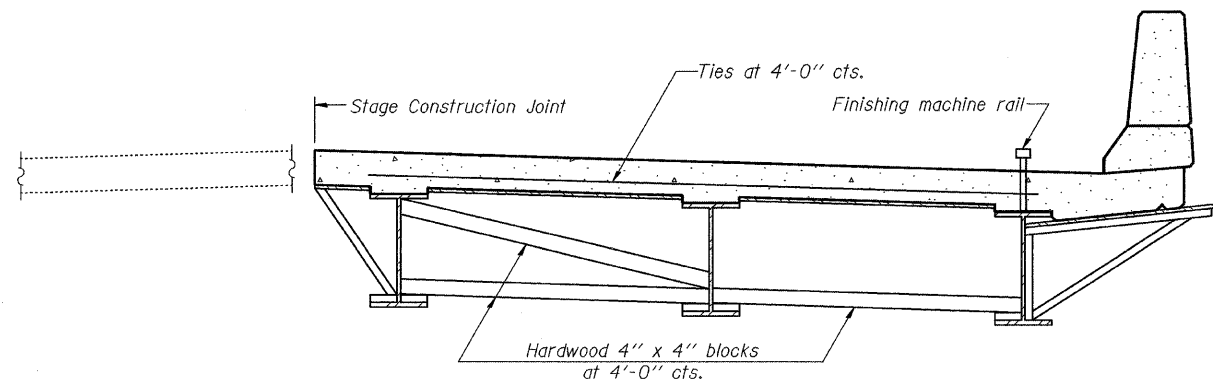
Contract #66623
* (06-1, 2)RS-3, I

When cantilever forming brackets are used, the work shall be done according to Article 503.06(b) of the Standard Specifications, except as modified below and in the details shown on this sheet.

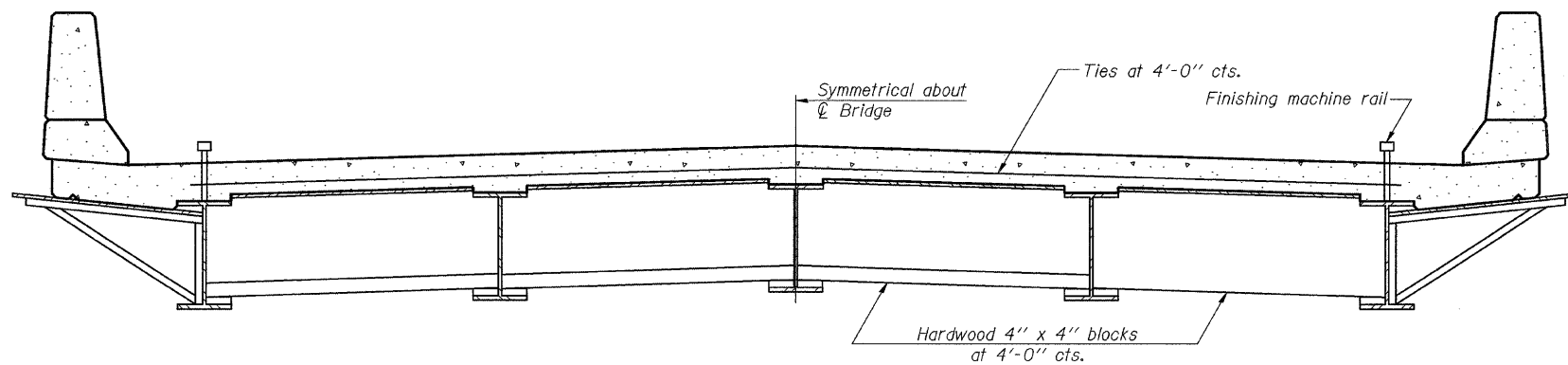
The finishing machine rails shall be placed on the top flange of the exterior beams.

The beams or girders, supporting cantilever forming brackets, shall be tied together at 4 foot intervals.

For Standard construction, or Stage Construction the Hardwood bracing materials shall be placed as shown between webs of beams in each bay.



FORM BRACES FOR STAGE CONSTRUCTION



FORM BRACES FOR STANDARD CONSTRUCTION

DESIGNED	--
CHECKED	--
DRAWN	NOE
CHECKED	JKC

SB-1

5-16-08

CANTILEVER FORMING BRACKETS
F.A.I. 80 (I-80) OVER DRAINAGE DITCH
SECTION (06-1, 2)RS-3, I

BUREAU COUNTY
SN 006-0009 (EB)
SN 006-0010 (WB)
STA. 423+15

CHAMLIN
ASSOCIATES
PERU ILLINOIS MORRIS