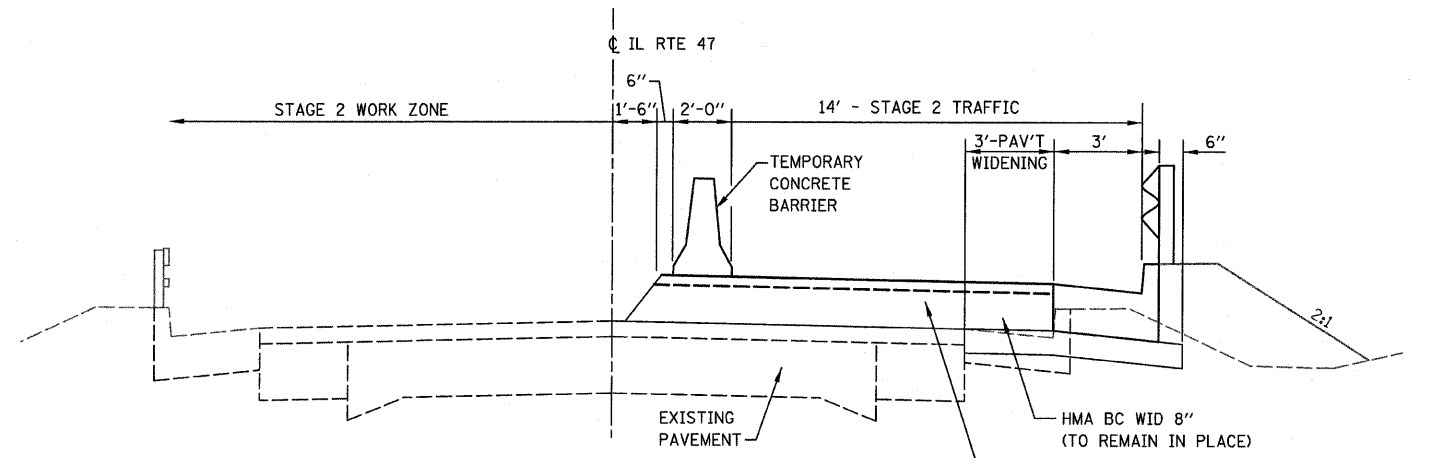


STAGE 2 CONSTRUCTION TYPICAL SECTION

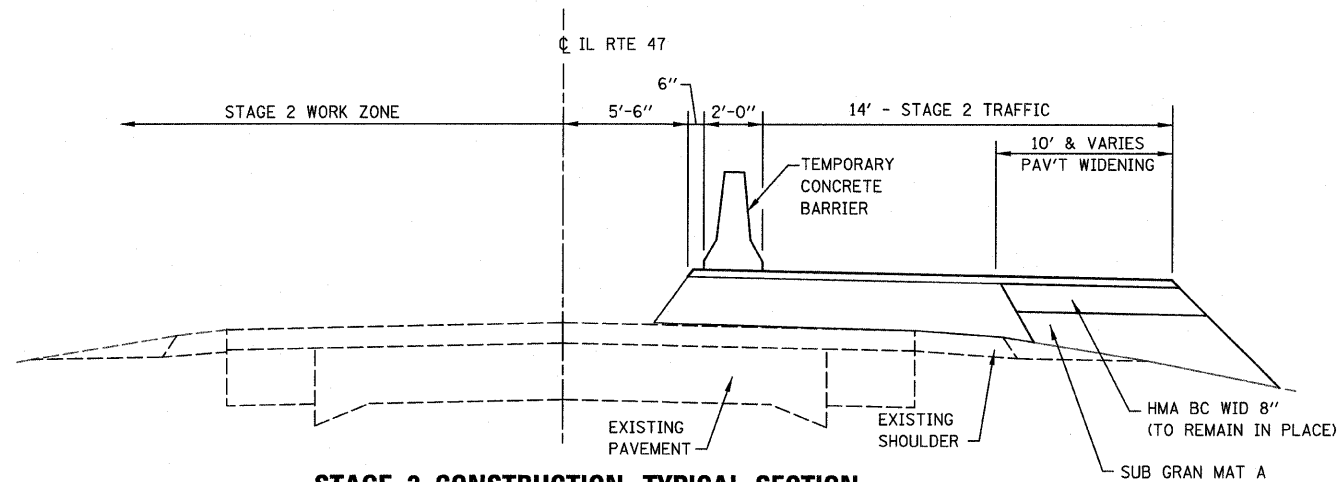
(SOUTH OF STRUCTURE, LOOKING NORTH)
STA. 580+10 TO STA. 581+61



STAGE 2 CONSTRUCTION TYPICAL SECTION

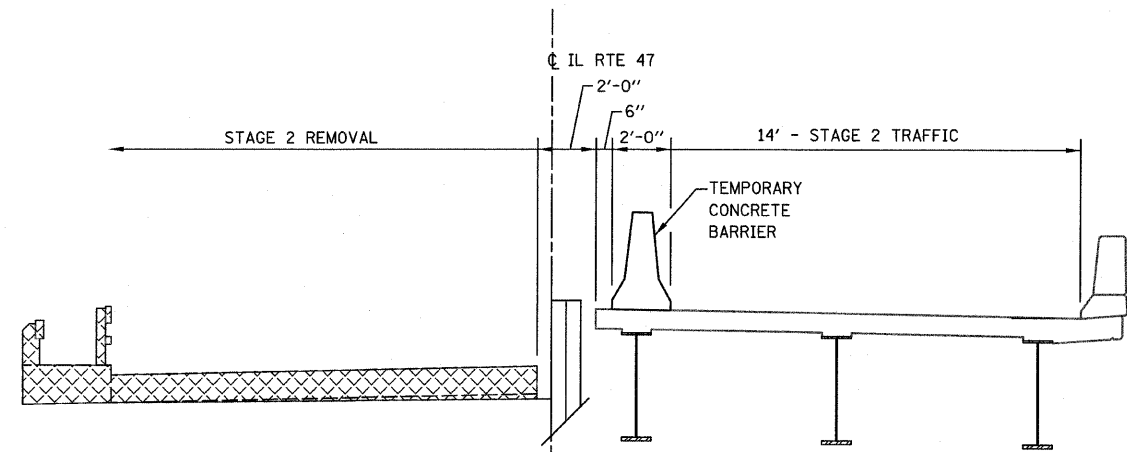
(NORTH OF STRUCTURE, LOOKING NORTH)
STA. 583+70 TO STA. 587+24

FULL DEPTH BINDER, 2 1/2" TO BE REMOVED DURING STAGE 3 CONSTRUCTION.



STAGE 2 CONSTRUCTION TYPICAL SECTION

(SOUTH OF STRUCTURE, LOOKING NORTH)
STA. 576+97 TO STA. 580+10



STAGE 2 CONSTRUCTION TYPICAL SECTION

(LOOKING NORTH AT STRUCTURE)
STA. 581+61 TO STA. 583+70

FILE NAME =
sheets02.dgn

USER NAME = #USER#

DESIGNED -

REVISED -

DRAWN -

REVISED -

PLOT SCALE = 28.0000' / IN.

CHECKED -

REVISED -

PLOT DATE = 8/13/2008

DATE -

REVISED -

STATE OF ILLINOIS
DEPARTMENT OF TRANSPORTATION

STAGE 2 TYPICAL SECTIONS

SCALE: SHEET NO. OF SHEETS STA. TO STA.

F.A.P. RTE.	SECTION	COUNTY	TOTAL SHEETS	SHEET NO.
326	119 BR	GRUNDY	68	13
FED. ROAD DIST. NO. ILLINOIS FED. AID PROJECT			CONTRACT NO. 66687	