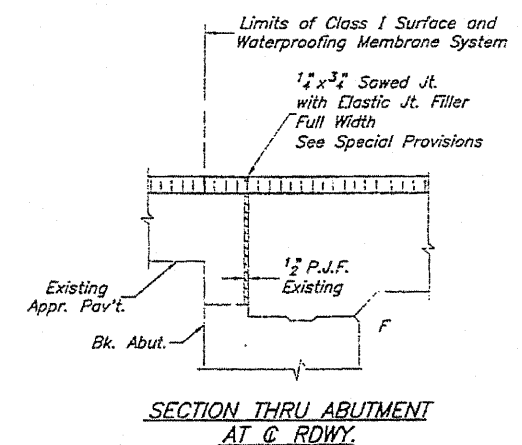
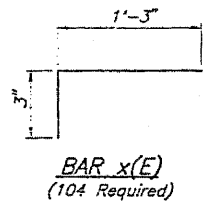
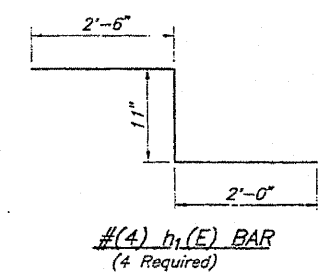


* Bonded Const. Jt. in accordance with Art. 504.13(a)(2) of the Std. Specifications.

See Sh. #3 of 3 for Expansion Joint Details

** Place h(E) Bars in back of anchor bolt as shown if required to maintain 1" clearance (0'-1'-0"). Anchor bolts should be tied to h(E) bars.

Reinforcement bars designated (E) shall be epoxy coated.



BILL OF MATERIALS

BAR	NO	SIZE	LENGTH	SHAPE
h(E)	12	#5	22'-1"	—
h ₁ (E)	4	#4	2'-6"	—
x(E)	108	#5	1'-6"	—
Reinforcement Bars Epoxy Coated		Lbs.	460	
Class X Concrete Superstructure		Cu. Yd.	2.9	

Note: Reinforcement bars designated (E) shall be Epoxy Coated.

BRIDGE DETAILS
F.A.P. RTE. 100 (ILL. RTE. 47)
OVER JOHNNY RUN CREEK
GRUNDY COUNTY
SECTION 119B-1
STRUCTURE NO. 032-0031