

GENERAL NOTES

Continuous Seal Neoprene Expansion Joint shall consist of molded anchor blocks of elastomer and steel, field assembled over continuous lengths of elastomeric membrane.

The elastomeric membrane shall be premolded with a single or a double upward convolution that will have a "memory" to return to its molded position upon joint closure.

The steel reinforcement must extend up the back face of anchor blocks when asphalt surfaces are used but is optional in concrete blockout.

The convolution length shall be such that the extended length will not be greater than the manufactured length when the joint is fully expanded in its design range and will not protrude above the anchor blocks when the joint is fully compressed.

Joint openings shall be adjusted in accordance with Article 503.07(c) of the Standard Specifications when the deck is poured at an ambient temperature other than 50° F.

The parapet and sidewalk flaps are used but is optional in concrete blockout.

The parapet and sidewalk flaps may be furnished factory vulcanized to the roadway membrane provided the centerline of the convolution is maintained and the process and method meet the approval of the Engineer.

Joint Size	"C" at 50°F	"D" at 50°F
2"	2"	1 1/2" Min.
2 1/2"	2 1/2"	1 3/4" Min.
4"	3"	2 1/2" Min.

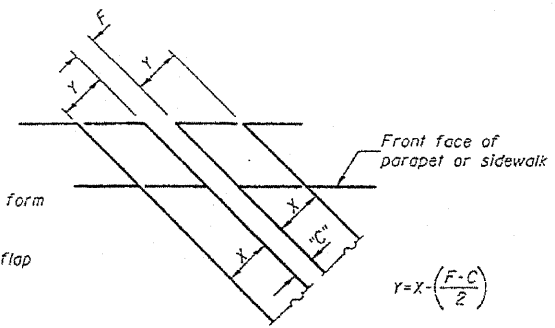
INSTALLATION NOTES

1. Install sponge mandrels into positions shown to form flap convolution.
2. Install parapet or sidewalk piece (trim roadway flap to fit before applying epoxy).
3. Install continuous seal in roadway.
4. Install anchor blocks as indicated.

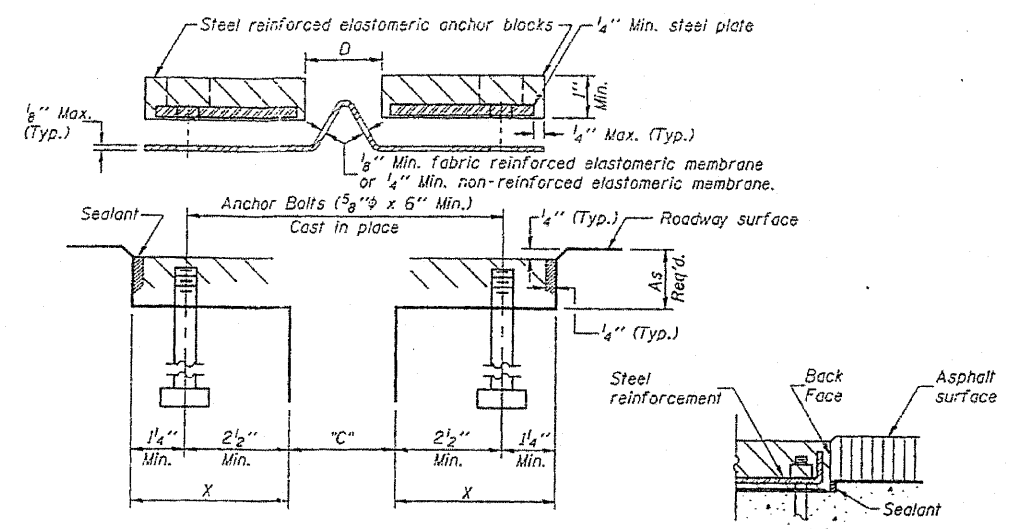
NOTE A: Maximum spacing of anchor bolts shall be 12" centers.

SKREW LIMITATIONS

The details of the anchor blocks and the elastomeric membrane in the parapet, as shown, are for up to 50° skews. For skews greater than 50°, the anchor blocks and the elastomeric membrane, installed in accordance with dimension "D", might require modifications to insure a minimum clearance of 1/2" from centerline of anchor studs to edge of parapet opening. The anchor blocks and the elastomeric membrane shall also be installed to the top of the parapet with the anchor studs spaced at ±12" cts.

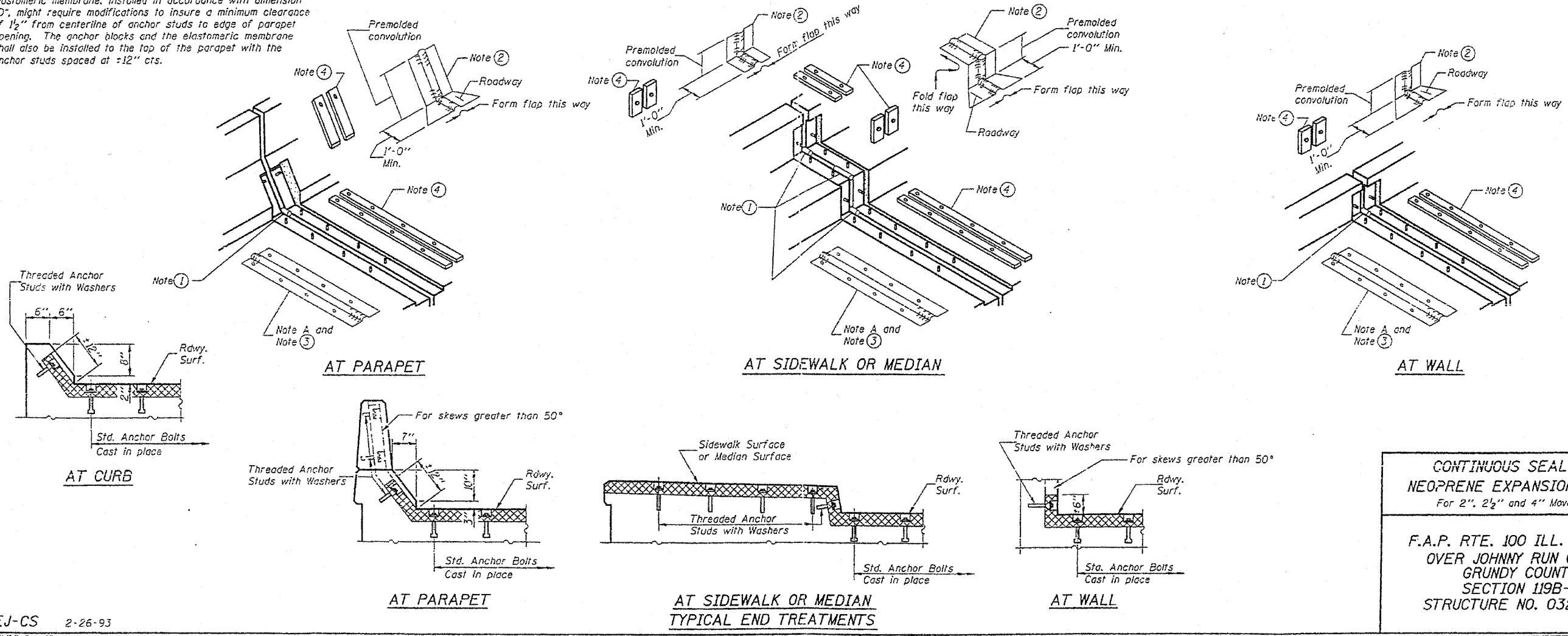


FORMING BLOCKOUT SKETCH



CROSS SECTION

ANCHOR BLOCK REINFORCEMENT WITH ASPHALT SURFACE



CONTINUOUS SEAL TYPE NEOPRENE EXPANSION JOINTS
For 2", 2 1/2" and 4" Movement

F.A.P. RTE. 100 ILL. RTE. 47
OVER JOHNNY RUN CREEK
GRUNDY COUNTY
SECTION 119B-1
STRUCTURE NO. 032-0031

EJ-CS 2-26-93