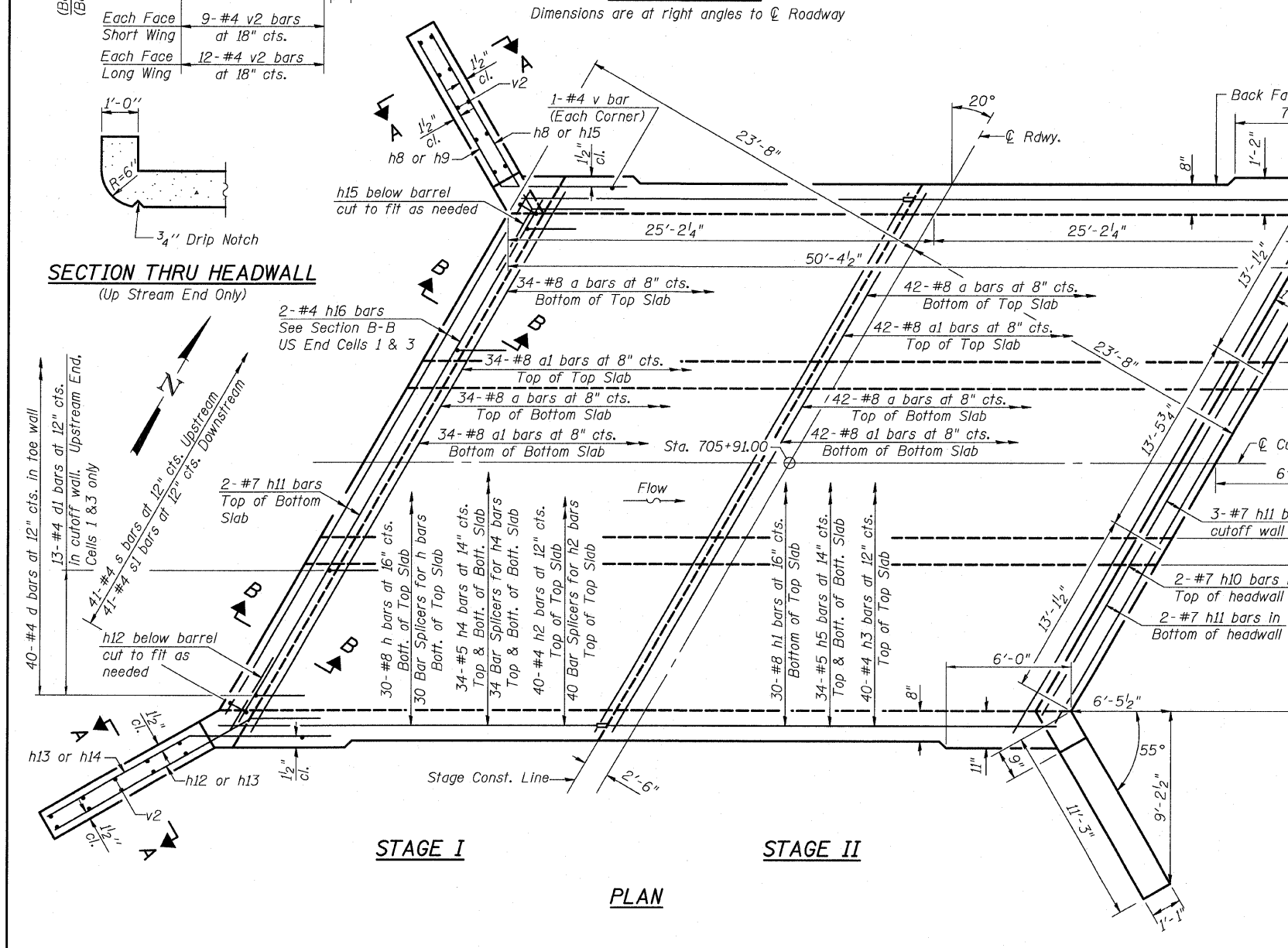
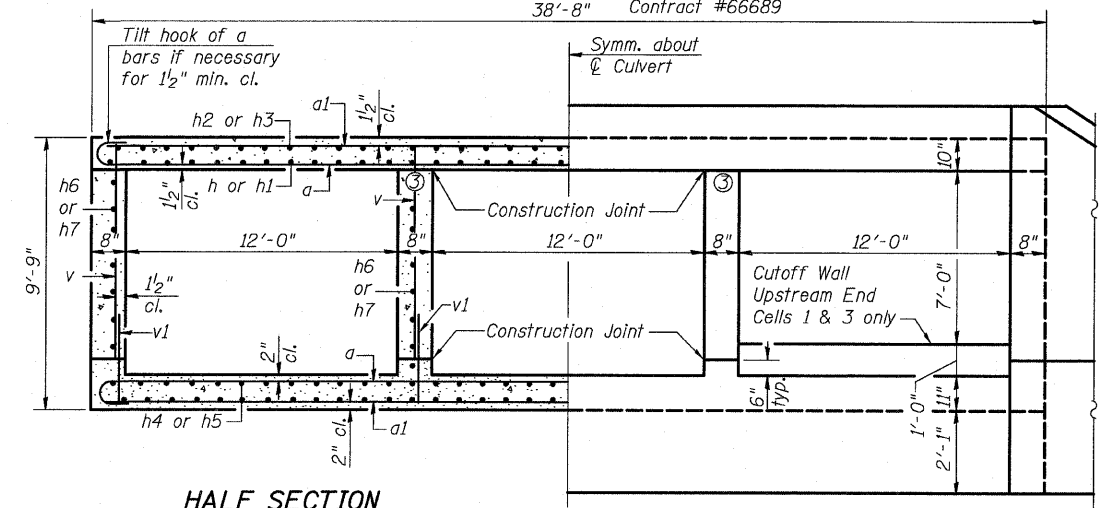
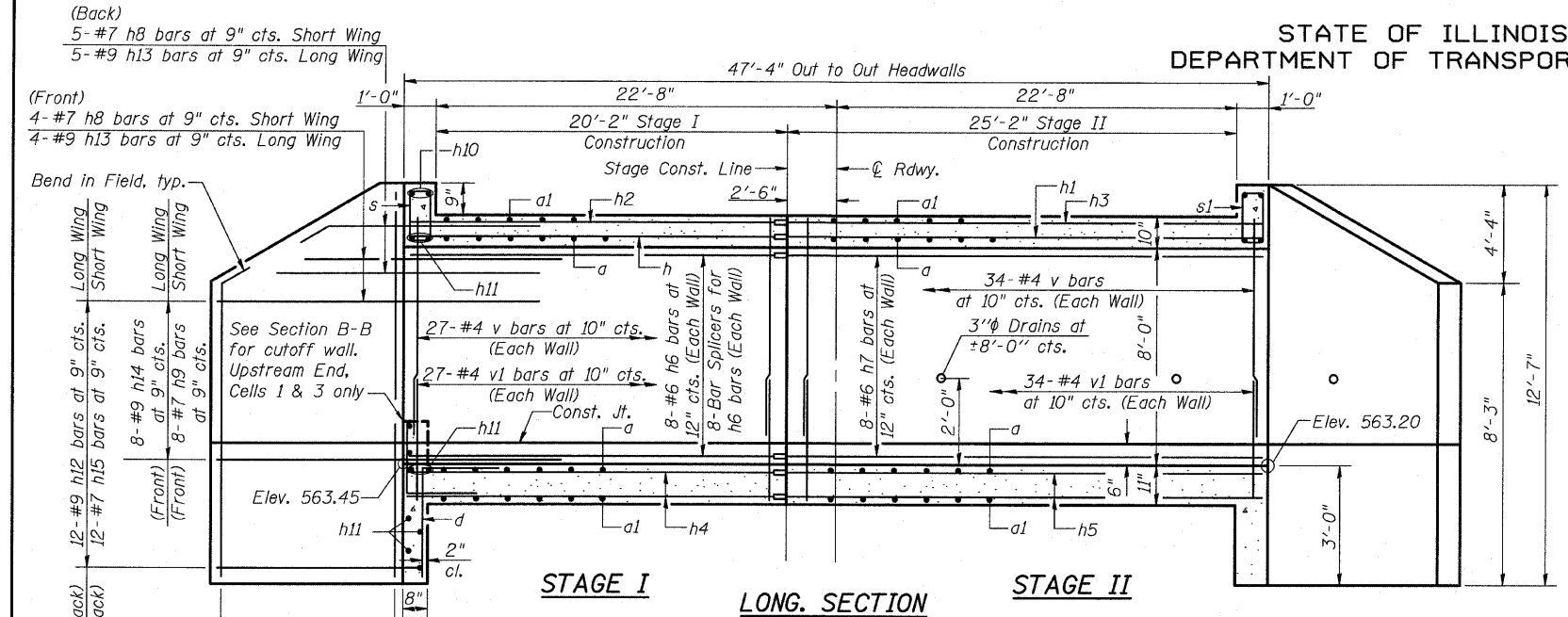


STATE OF ILLINOIS  
DEPARTMENT OF TRANSPORTATION

ROUTE NO.	SECTION	COUNTY	TOTAL SHEETS	SHEET NO.	SHEET NO. 3 6 SHEETS
F.A.P. 326	118 BR	Grundy	35	18	
FED. ROAD DIST. NO. 7	ILLINOIS	FED. AID PROJECT	Contract #66689		

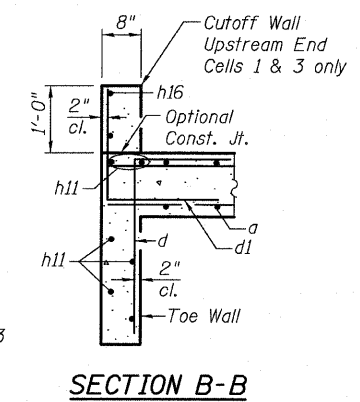


HALF SECTION THRU BARREL

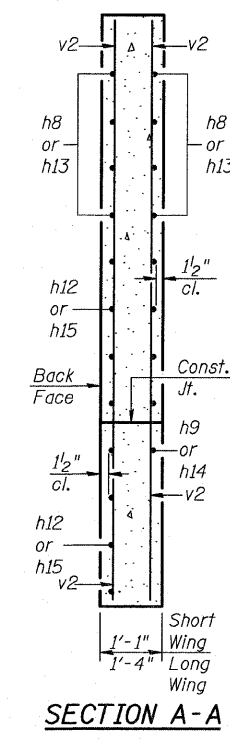
HALF END ELEVATION

BILL OF MATERIAL

Bar	No.	Size	Length	Shape
a	152	#8	42'-7"	C
a1	152	#8	40'-9"	—
d	80	#4	4'-6"	L
d1	26	#4	3'-0"	L
h	30	#8	22'-2"	—
h1	30	#8	27'-6"	—
h2	40	#4	22'-2"	—
h3	40	#4	27'-6"	—
h4	68	#5	22'-2"	—
h5	68	#5	27'-6"	—
h6	32	#6	22'-2"	—
h7	32	#6	27'-6"	—
h8	18	#7	8'-0"	—
h9	16	#7	15'-2"	—
h10	4	#7	39'-9"	—
h11	14	#7	40'-9"	—
h12	24	#9	18'-9"	—
h13	18	#9	8'-0"	—
h14	16	#9	19'-5"	—
h15	24	#7	14'-3"	—
h16	4	#5	12'-5"	—
s	41	#4	4'-6"	D
s1	41	#4	4'-7"	D
v	248	#4	8'-2"	—
v1	244	#4	2'-7"	—
v2	84	#4	12'-3"	—
Concrete Box Culverts			Cu. Yd.	202.4
Reinforcement Bars			Pound	54,150



SECTION B-B



SECTION A-A

STRUCTURE DETAILS  
IL ROUTE 47 OVER DRAINAGE DITCH  
F.A.P. 326 - SECTION 118 BR  
GRUNDY COUNTY  
STA. 705+91.00  
STRUCTURE NUMBER 032-2009

- Notes:
- A distance of half the length of the wingwall but not less than six feet of the barrel shall be poured monolithically with the wingwalls.
  - See sheet 2 of 6 for bar details.
  - See sheet 2 of 6 for Phoebe Nesting Site Details
  - Minimum bar laps: #4 Bars = 1'-4"

**OATES ASSOCIATES**  
Consulting Engineers Design Firm License No. 184.001115

Eastport Business Center 1  
100 Lanter Court, Suite 1  
Collinsville, Illinois 62234  
618-345-2200