

STATE OF ILLINOIS  
DEPARTMENT OF TRANSPORTATION

ROUTE NO.	SECTION	COUNTY	TOTAL SHEETS	SHEET NO.
F.A.P. 326	118 BR	Grundy	35	20
FED. ROAD DIST. NO. 7	ILLINOIS	FED. AID PROJECT		

SHEET NO. 5  
6 SHEETS  
Contract #66689

The diameter of this part is equal or larger than the diameter of bar spliced.

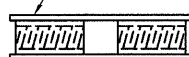
The diameter of this part is the same as the diameter of the bar spliced.

**ROLLED THREAD DOWEL BAR**



**\*\* ONE PIECE**

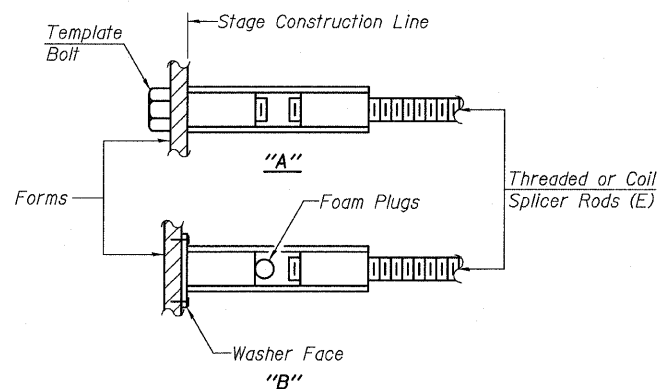
Wire Connector



**WELDED SECTIONS**

**BAR SPLICER ASSEMBLY ALTERNATIVES**

\*\*Heavy Hex Nuts conforming to ASTM A 563, Grade C, D or DH may be used.



**INSTALLATION AND SETTING METHODS**

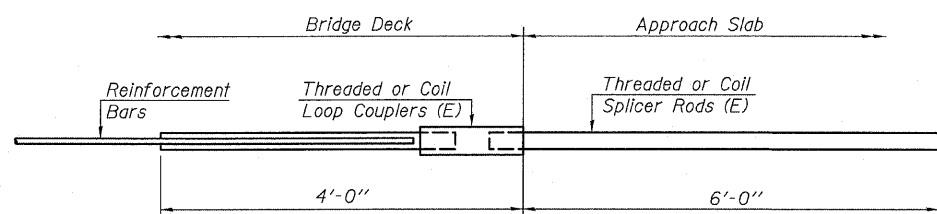
"A": Set bar splicer assembly by means of a template bolt.  
"B": Set bar splicer assembly by nailing to wood forms or cementing to steel forms.  
(E) : Indicates epoxy coating.

**NOTES**

Bar splicer assemblies shall be of an approved type and shall develop in tension at least 125 percent of the yield strength of the lapped reinforcement bars.  
Splicer rods shall be of minimum 60 ksi yield strength, threaded or coiled full length.  
All reinforcement bars shall be lapped and tied to the splicer rods or dowel bars.  
Bar splicer assemblies shall be epoxy coated according to the requirements for reinforcement bars.  
Other systems of similar design may be submitted to the Engineer for approval. Approval shall be based on certified test results from an approved testing laboratory that the proposed bar splicer assembly satisfies the following requirements:

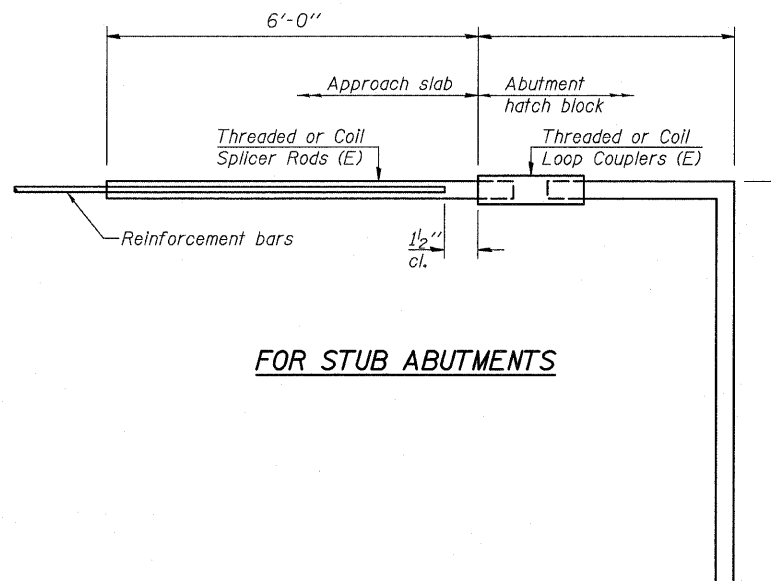
- ① Minimum Capacity (Tension in kips) =  $1.25 \times f_y \times A_t$
  - ② Minimum \*Pull-out Strength (Tension in kips) =  $0.66 \times f_y \times A_t$
- Where  $f_y$  = Yield strength of lapped reinforcement bars in ksi.  
 $A_t$  = Tensile stress area of lapped reinforcement bars.  
\* = 28 day concrete

BAR SPLICER ASSEMBLIES			
Bar Size to be Spliced	Splicer Rod or Dowel Bar Length	Strength Requirements	
		Min. Capacity kips - tension	Min. Pull-Out Strength kips - tension
#4	1'-8"	14.7	7.9
#5	2'-0"	23.0	12.3
#6	2'-7"	33.1	17.4
#7	3'-5"	45.1	23.8
#8	4'-6"	58.9	31.3
#9	5'-9"	75.0	39.6
#10	7'-3"	95.0	50.3
#11	9'-0"	117.4	61.8



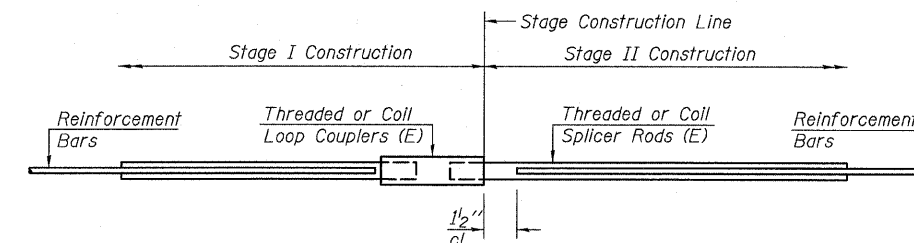
**FOR INTEGRAL OR SEMI-INTEGRAL ABUTMENTS**

Bar Splicer for #5 bar
Min. Capacity = 23.0 kips - tension
Min. Pull-out Strength = 12.3 kips - tension
No. Required =



**FOR STUB ABUTMENTS**

Bar Splicer for #5 bar
Min. Capacity = 23.0 kips - tension
Min. Pull-out Strength = 12.3 kips - tension
No. Required =



**STANDARD**

Bar Size	No. Assemblies Required	Location
#4	40	Top Slab
#5	68	Bottom Slab
#6	32	Walls
#8	30	Top Slab

**BAR SPLICER ASSEMBLY DETAILS**  
**IL ROUTE 47 OVER DRAINAGE DITCH**  
**F.A.P. 326 - SECTION 118 BR**  
**GRUNDY COUNTY**  
**STA. 705+91.00**  
**STRUCTURE NUMBER 032-2009**



Eastport Business Center 1  
100 Lanter Court, Suite 1  
Collinsville, Illinois 62234  
618-345-2200  
OATES ASSOCIATES  
Consulting Engineers Design Firm License No. 184.001115