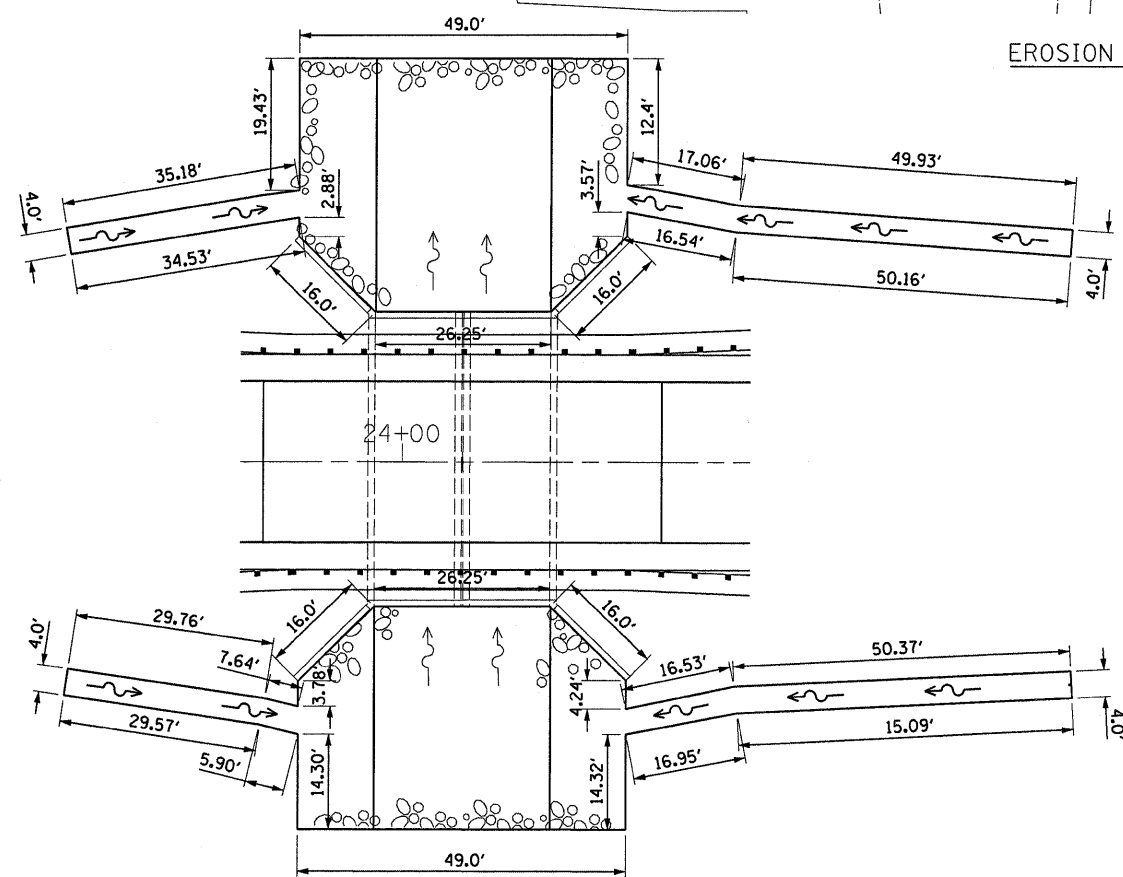


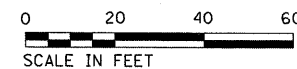
EROSION CONTROL PLAN



RIPRAP LAYOUT PLAN
N.T.S.

LEGEND:

- PROPOSED DITCH
- PROPOSED SWALE
- END SECTION
- TEMPORARY DITCH CHECK
- RIPRAP, CLASS A4
- EROSION CONTROL BLANKET AND PERMANENT SEEDING CLASS 3 (TEMPORARY EROSION CONTROL SEEDING AS NEEDED)
- INLET AND PIPE PROTECTION
- RIPRAP
- PERIMETER EROSION BARRIER



NEW SN 027-2014

FILE NAME =	USER NAME = carpentardj	DESIGNED - DB	REVISED -
ca:\pw\work\p\idot\carpentardj\dms30872\pro-0039.dgn		DRAWN - RM/FZ/DK/NS	REVISED -
	PLOT SCALE = 21.176' / IN.	CHECKED - AS	REVISED -
	PLOT DATE = Aug 22, 2008 - 02:27:42 PM	DATE - AUGUST 2008	REVISED -

STATE OF ILLINOIS
DEPARTMENT OF TRANSPORTATION

EROSION AND SEDIMENT CONTROL PLAN
SN 027-2014

SCALE: 1"=20' SHEET NO. OF SHEETS STA. 21+00 TO STA. 27+00

F.A.P. RTE.	SECTION	COUNTY	TOTAL SHEETS	SHEET NO.
798	107 BR, 108-BR, 108-BR-1	FORD	92	23
CONTRACT NO. 66698				
FED. ROAD DIST. NO. ILLINOIS FED. AID PROJECT				