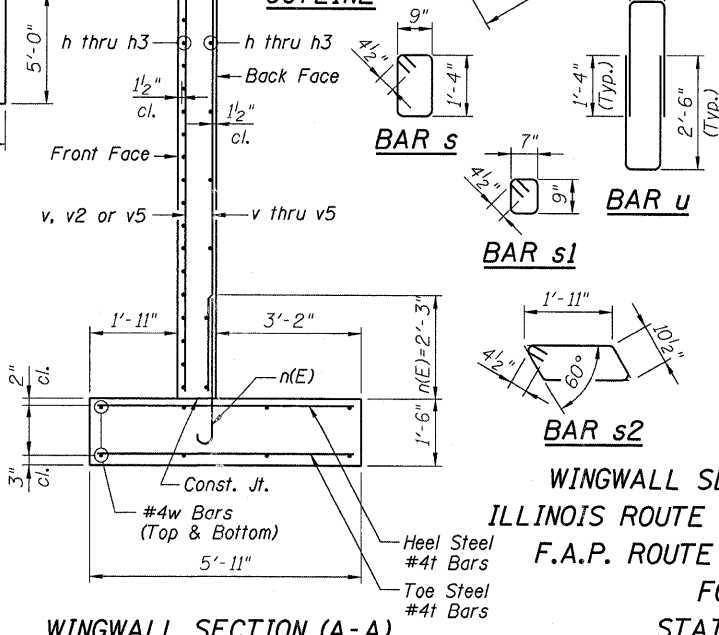
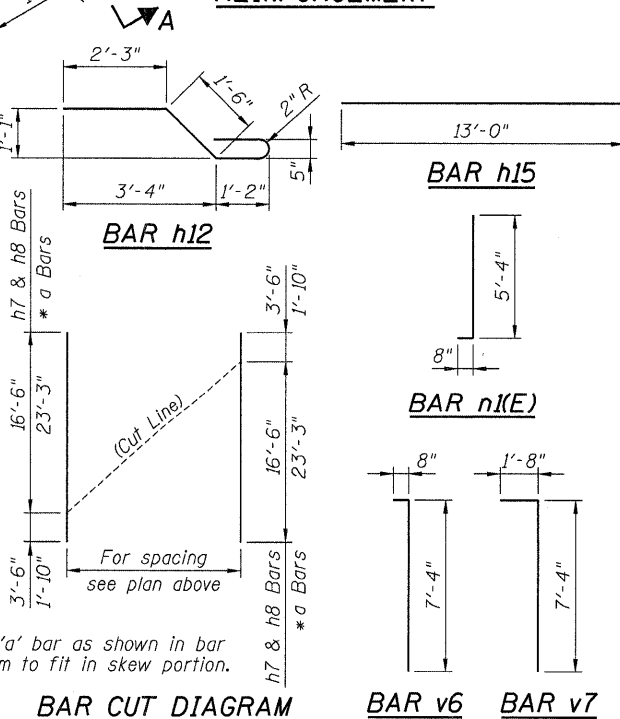
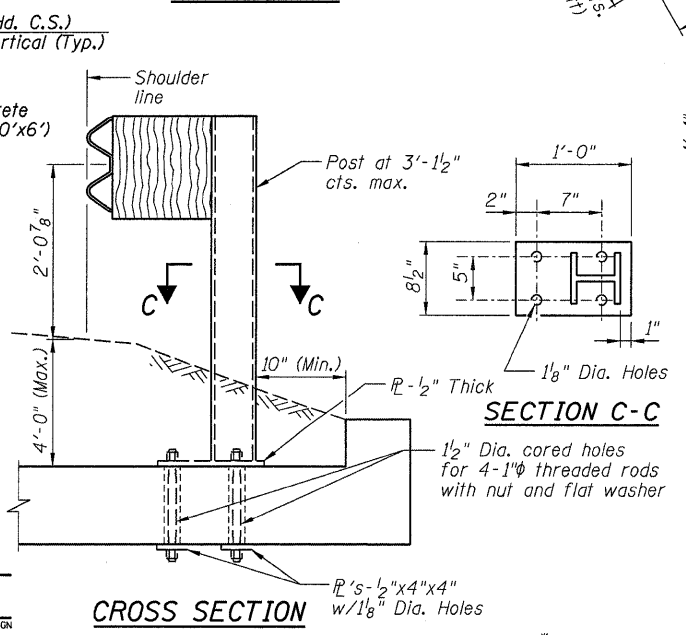
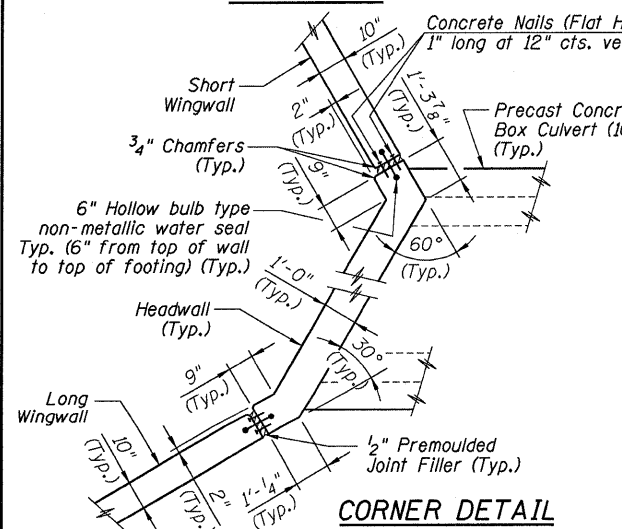
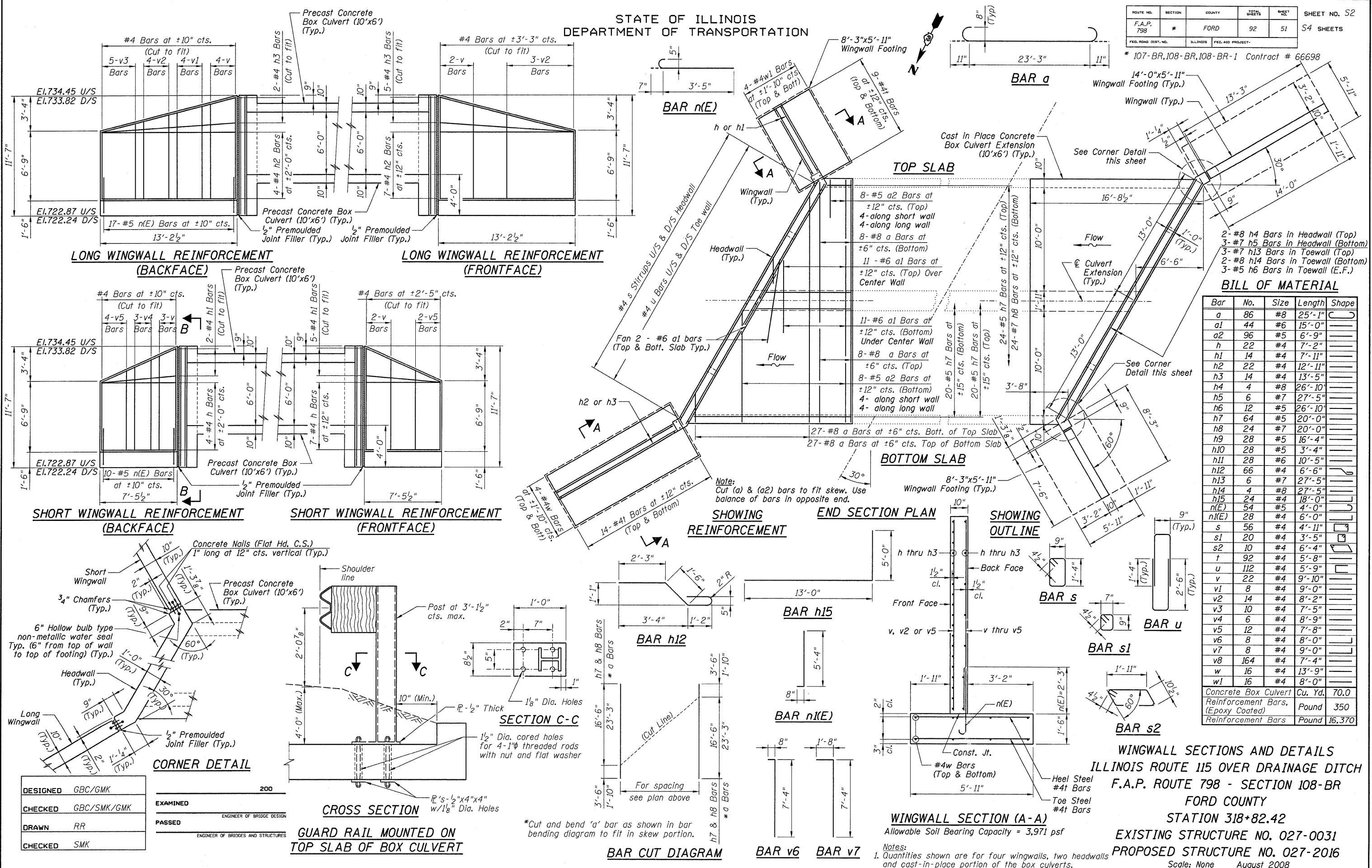


STATE OF ILLINOIS  
DEPARTMENT OF TRANSPORTATION

ROUTE NO.	SECTION	COUNTY	TOTAL SHEETS	SHEET NO.
F.A.P. 798	*	FORD	92	51
S4 SHEETS				

\* 107-BR, 108-BR, 108-BR-1 Contract # 66698



DESIGNED	GBC/GMK	EXAMINED	200
CHECKED	GBC/SMK/GMK	PASSED	ENGINEER OF BRIDGE DESIGN
DRAWN	RR		ENGINEER OF BRIDGES AND STRUCTURES
CHECKED	SMK		

WINGWALL SECTIONS AND DETAILS  
 ILLINOIS ROUTE 115 OVER DRAINAGE DITCH  
 F.A.P. ROUTE 798 - SECTION 108-BR  
 FORD COUNTY  
 STATION 318+82.42  
 EXISTING STRUCTURE NO. 027-0031  
 PROPOSED STRUCTURE NO. 027-2016  
 Scale: None August 2008

Notes:  
 1. Quantities shown are for four wingwalls, two headwalls and cast-in-place portion of the box culverts.

\*Cut and bend 'a' bar as shown in bar bending diagram to fit in skew portion.