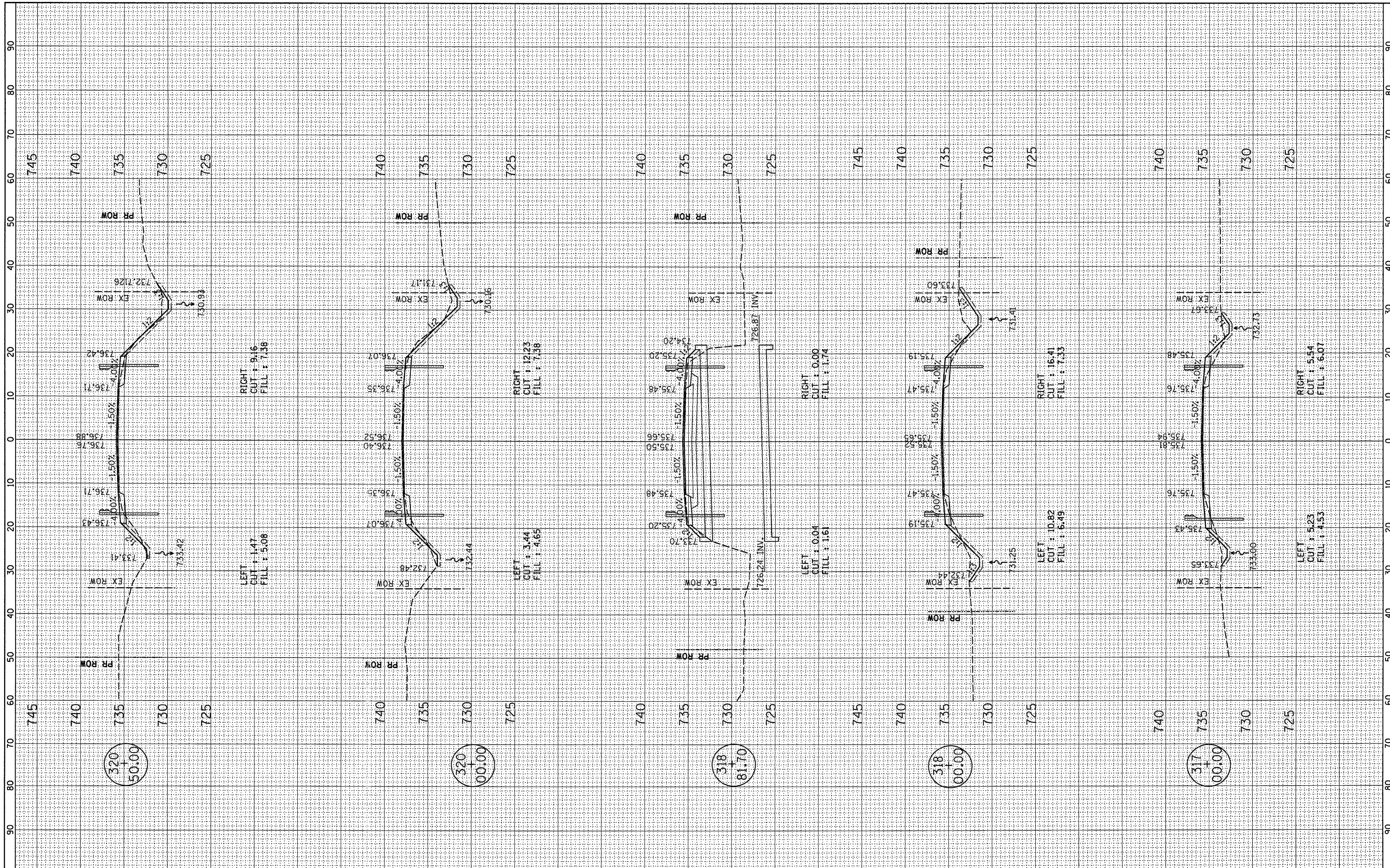


DATE _____ BY _____
 SURVEYED _____
 CHECKED _____
 TEMPLATE _____
 NOTE BOOK _____
 AREAS _____
 AREAS CHECKED _____

DATE _____ BY _____
 SURVEYED _____
 CHECKED _____
 TEMPLATE _____
 NOTE BOOK _____
 AREAS _____
 AREAS CHECKED _____



FILE NAME = c:\pwork\PWIDOT\LINDEMANNS\dms30072\cso-031.dgn
 USER NAME = lindemanns
 DESIGNED -
 DRAWN - RM/FZ/DK/NS
 PLOT SCALE = 1/8"=1'-0" / IN.
 PLOT DATE = Aug 28, 2008 - 07:34:01 AM
 CHECKED -
 DATE -

REVISED -
 REVISED -
 REVISED -
 REVISED -

**STATE OF ILLINOIS
 DEPARTMENT OF TRANSPORTATION**

**CROSS SECTION
 SN 027-2016 SHEET 2 OF 3**
 SCALE: 1"=10' (HOR)
 SCALE: 1"=5' (VERT)
 SHEET NO. OF SHEETS STA. 317+00.00 TO STA. 320+00.00

F.A. RTE.	SECTION	COUNTY	TOTAL SHEETS	SHEET NO.
798	107-BR, 108-BR, 108-BR-1	FORD	92	67
CONTRACT NO. 66698				
FED. ROAD DIST. NO. ILLINOIS FED. AID PROJECT				