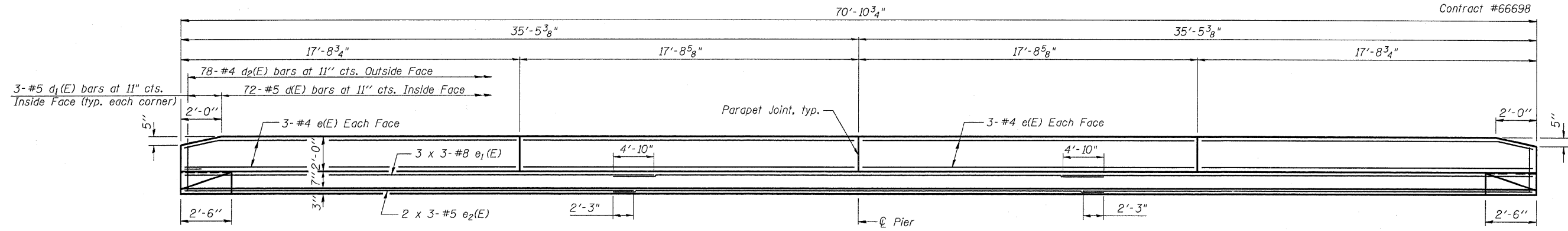


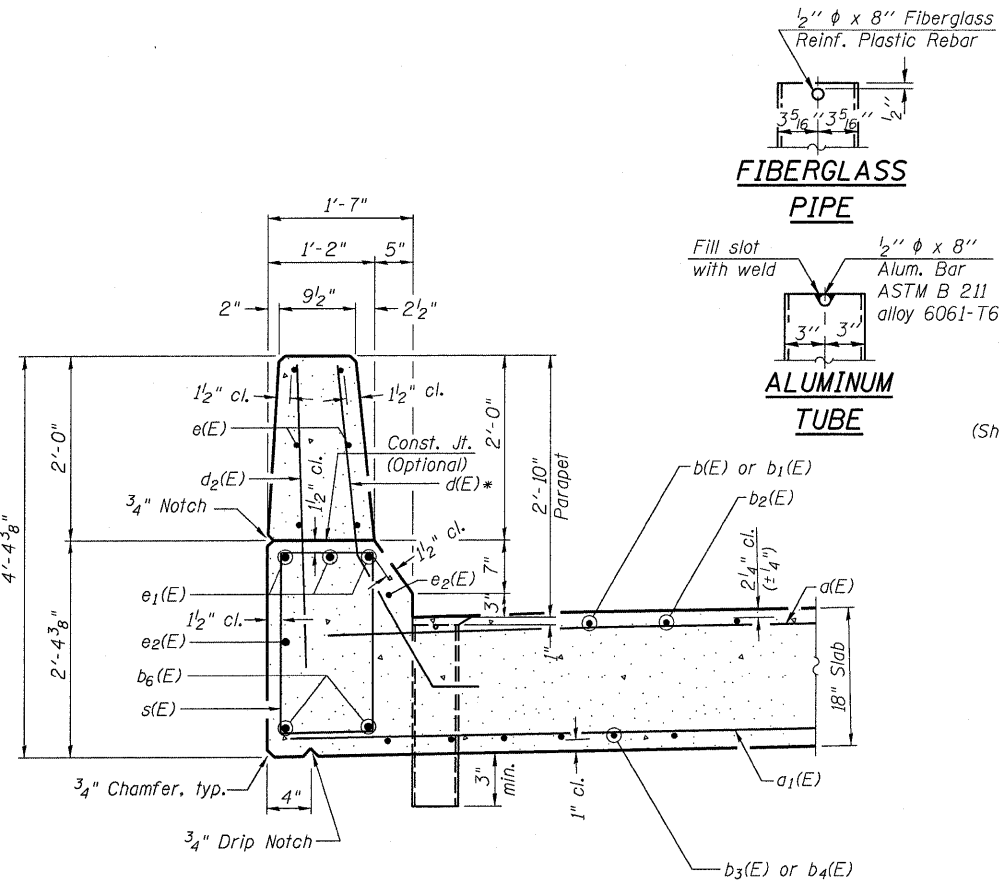
STATE OF ILLINOIS  
DEPARTMENT OF TRANSPORTATION

ROUTE NO.	SECTION	COUNTY	STATES	SHEET NO.
FAP 798	107 BR-1	FORD	92	83
FED. ROAD DIST. NO. 7		ILLINOIS	FED. AID PROJECT	

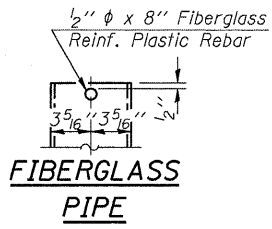
SHEET NO. 4  
8 SHEETS



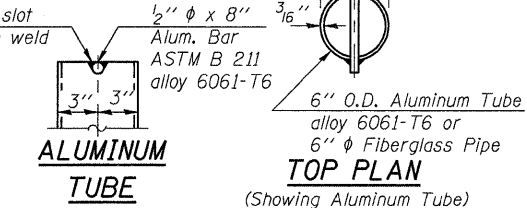
INSIDE ELEVATION OF PARAPET



SECTION THRU PARAPET

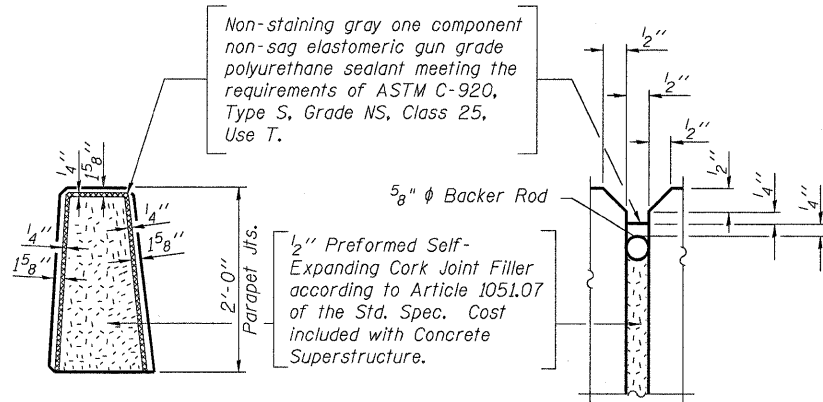


FIBERGLASS PIPE



ALUMINUM TUBE

TOP PLAN  
(Showing Aluminum Tube)



PARAPET JOINT DETAILS

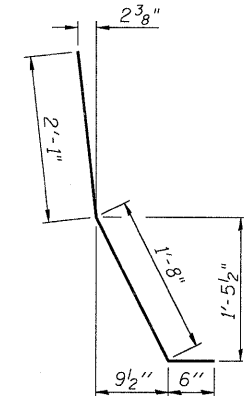
Notes:  
The exterior surfaces of the floor drains shall be painted with the finish coat as specified in the special provisions for Cleaning and Painting New Metal Structures. The exterior surfaces of the drains shall be cleaned according to Steel Structures Painting Council's Spec. SSPC-SPI prior to painting.  
Fiberglass pipe shall conform to ASTM D 2996, with short-time rupture strength hoop tensile stress of 30,000 p.s.i. minimum.

Bar Size	Length
#5	2'-3"
#8	4'-10"

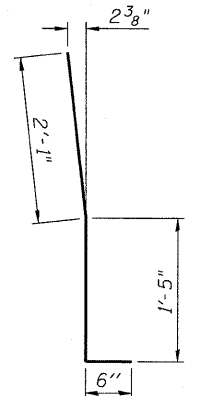
SUPERSTRUCTURE  
BILL OF MATERIAL

Bar	No.	Size	Length	Shape
d(E)	38	#5	34'-0"	
a1(E)	55	#5	34'-9"	
a3(E)	20	#5	20'-6"	
b(E)	74	#5	21'-6"	
b1(E)	37	#8	32'-6"	
b2(E)	36	#9	13'-6"	
b3(E)	64	#8	28'-9"	
b4(E)	62	#8	38'-3"	
b6(E)	12	#8	25'-3"	
d(E)	144	#5	4'-3"	
d1(E)	12	#5	4'-0"	
d2(E)	156	#4	3'-6"	
e(E)	48	#4	17'-3"	
e1(E)	18	#8	26'-9"	
e2(E)	12	#5	25'-3"	
s(E)	142	#4	6'-9"	
s1(E)	72	#4	6'-3"	
s6(E)	36	#4	8'-2"	
Reinforcement Bars, Epoxy Coated		Pound	26690	
Concrete Superstructure		Cu. Yds.	162.8	

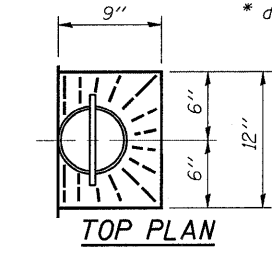
BAR b3 & b4 (E)



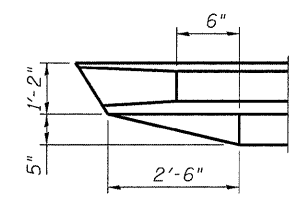
BAR d(E)



BAR d1(E)

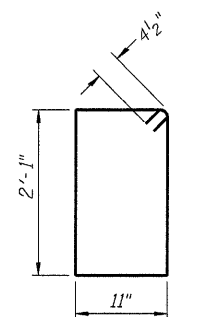


TOP PLAN

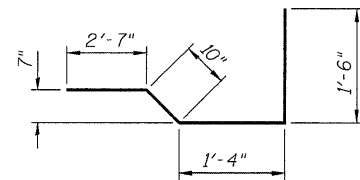


PARAPET TRANSITION

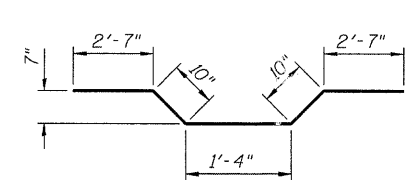
Typ. for outside parapets at abutments



BAR s(E)



BAR s1(E)



BAR s6(E)

DESIGNED	MAJ
CHECKED	MJB
DRAWN	MSJ
CHECKED	WCC

SUPERSTRUCTURE - DETAILS  
IL RTE 115 OVER DRAINAGE DITCH  
TRIBUTARY TO NORTH VERMILLION RIVER  
FAP RTE 798 SECTION 107 BR-1  
FORD COUNTY  
STATION 178+88.00  
S.N. 027-0095