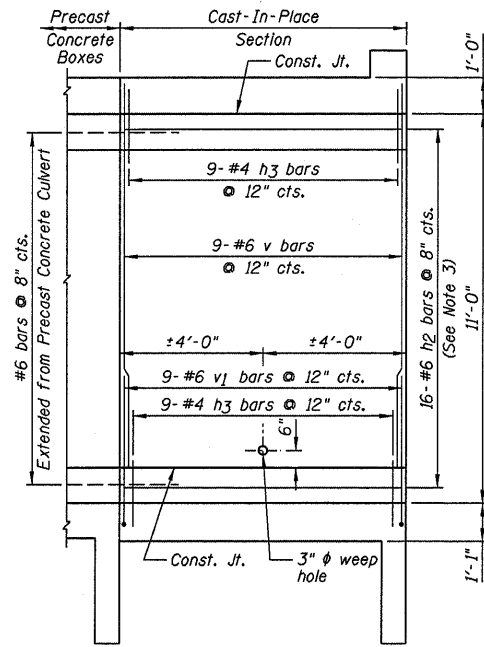
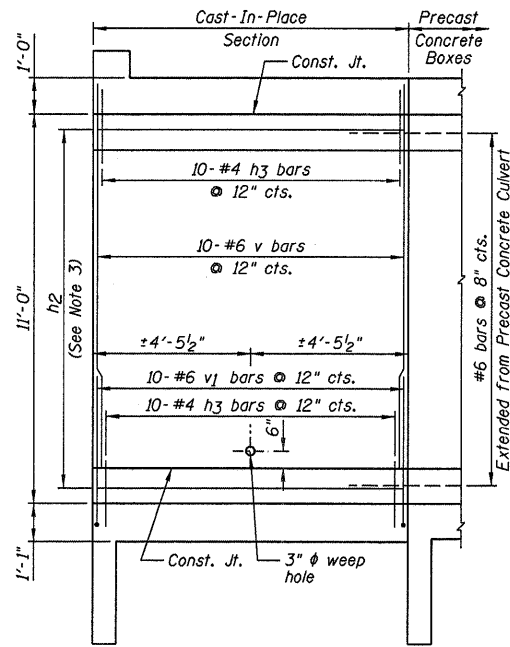


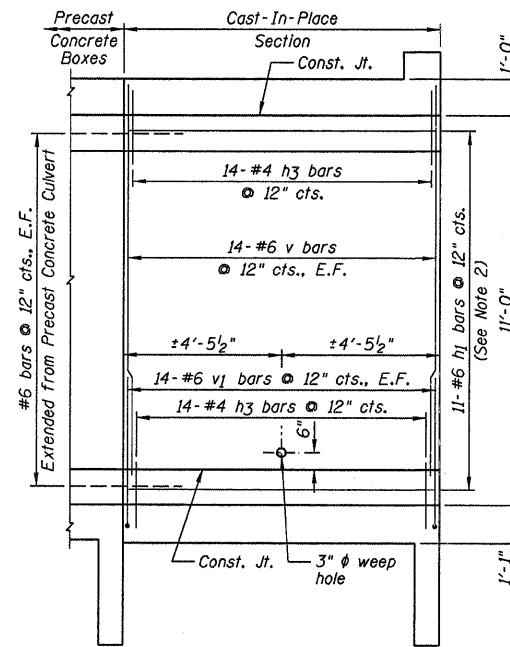
EXTERIOR WALL ELEVATION (SHORT)



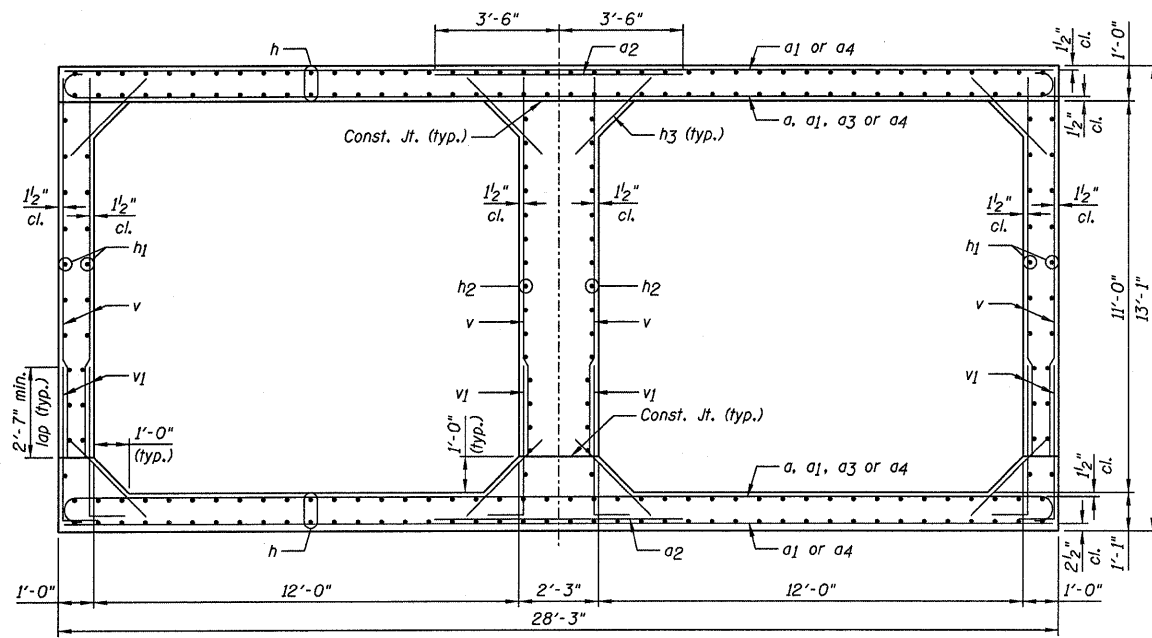
INTERIOR WALL ELEVATION (SHORT)



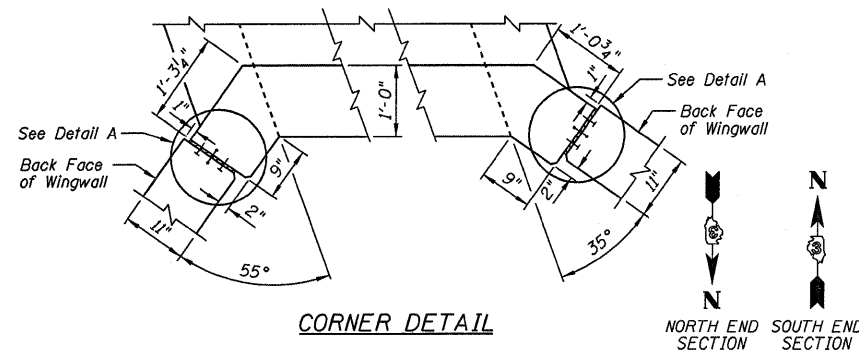
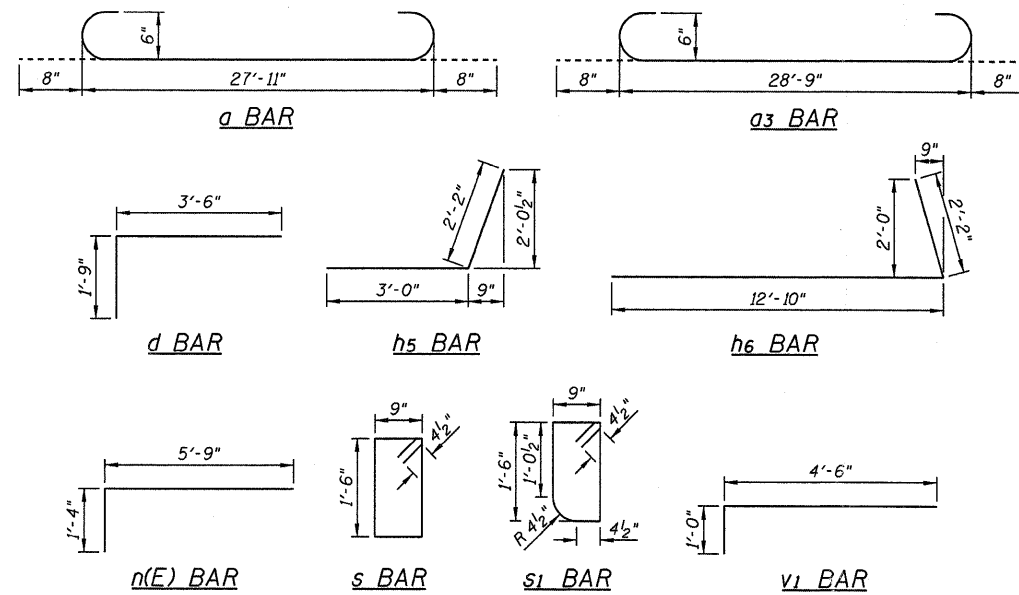
INTERIOR WALL ELEVATION (LONG)



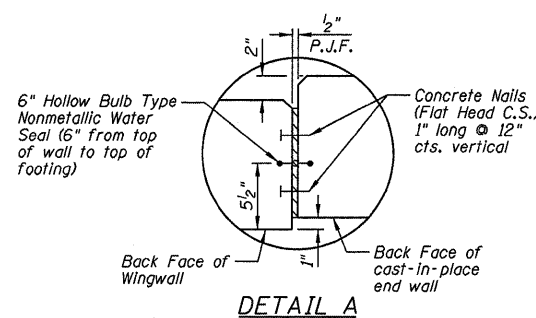
EXTERIOR WALL ELEVATION (LONG)



SECTION THRU CAST-IN-PLACE CONCRETE BARREL



CORNER DETAIL



DETAIL A

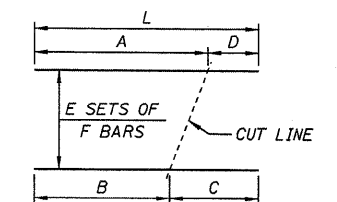
NOTES:

- 1.) Tilt hook of a bars and a3 bars if necessary to provide the clearance specified.
- 2.) Order h1 bars full length, cut according to Bar Cutting Diagram. Use remainder of bar in opposite exterior wall.
- 3.) Order h2 bars full length, cut according to Bar Cutting Diagram. Use remainder of bar in opposite mat of interior wall.
- 4.) E.F. denotes Each Face.

BILL OF MATERIAL

Bar	No.	Size	Length	Shape
a	12	#6	29'-3"	U
a1	32	#6	27'-11"	—
a2	28	#6	7'-0"	—
a3	20	#6	30'-1"	U
a4	36	#6	28'-8"	—
d	94	#4	5'-3"	L
h	168	#5	16'-7"	—
h1	44	#6	16'-7"	—
h2	32	#6	16'-6"	—
h3	152	#4	3'-0"	—
h4	6	#5	29'-8"	—
h5	6	#5	5'-2"	L
h6	6	#5	15'-0"	L
h7	8	#6	28'-6"	—
h8	50	#4	13'-11"	—
h9	50	#4	20'-2"	—
n(E)	94	#8	7'-1"	L
s	30	#4	5'-3"	L
s1	30	#4	5'-1"	L
t	150	#6	8'-6"	—
v	114	#6	10'-10"	—
v1	114	#6	5'-6"	L
v2	19	#5	24'-3"	—
v3	5	#4	24'-3"	—
v4	28	#5	24'-3"	—
v5	6	#4	24'-3"	—
w	40	#4	13'-11"	—
w1	40	#4	20'-2"	—
Item	Unit	Quantity		
Reinforcement Bars	Pound	19,040		
Reinforcement Bars, Epoxy Coated	Pound	1,780		
Name Plates	Each	1		
Concrete Box Culverts	Cu Yd	142.2		

BAR CUTTING DIAGRAM



BAR	A	B	C	D	E	F	L
a3	26'-9"	2'-0"	26'-9"	2'-0"	2	10	28'-9"
a4	25'-4"	3'-4"	25'-4"	3'-4"	4	9	28'-8"
h	13'-3"	3'-4"	13'-3"	3'-4"	4	42	16'-7"
h1	13'-3"	3'-4"	13'-3"	3'-4"	4	11	16'-7"
h2	8'-8"	7'-10"	8'-8"	7'-10"	2	16	16'-6"
v2	14'-11"	9'-4"	14'-11"	9'-4"	1	19	24'-3"
v3	14'-11"	9'-4"	14'-11"	9'-4"	1	5	24'-3"
v4	14'-11"	9'-4"	14'-11"	9'-4"	1	28	24'-3"
v5	14'-11"	9'-4"	14'-11"	9'-4"	1	6	24'-3"

Note: "L" dimension does not take into account the hook length for the hooked bar a3.