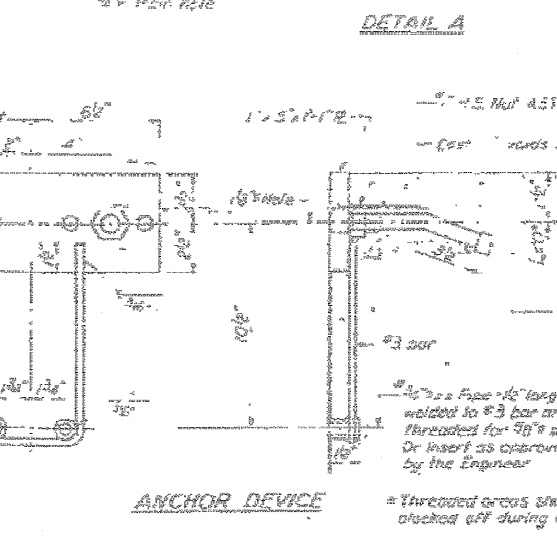
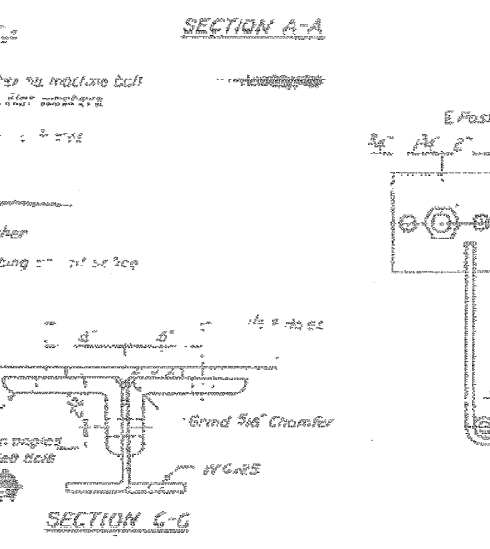
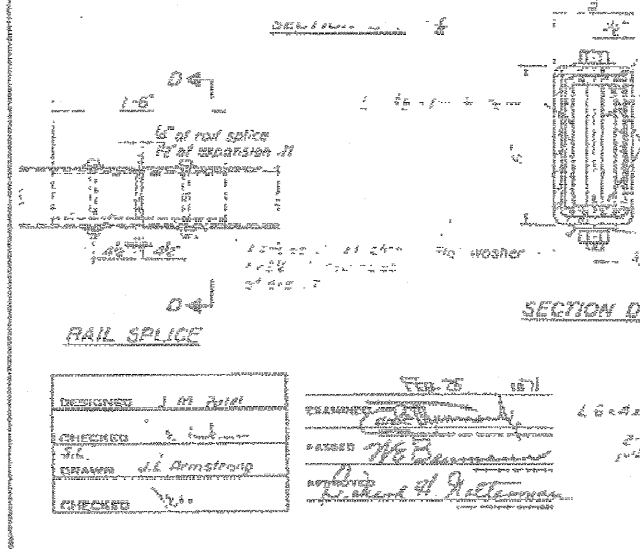
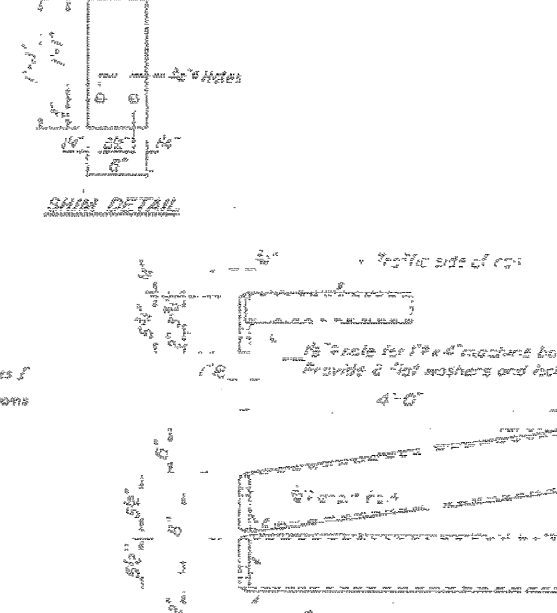
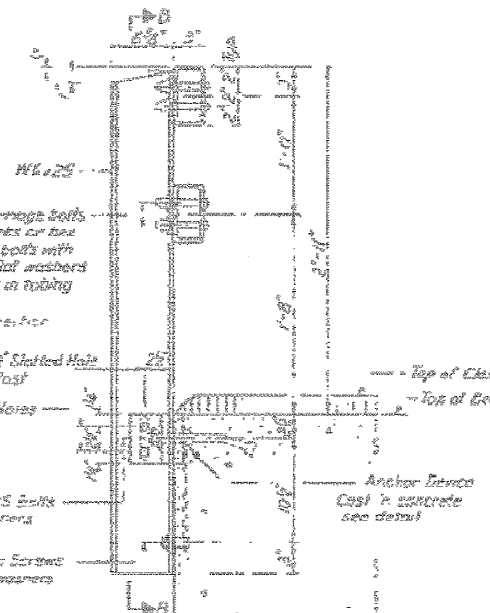
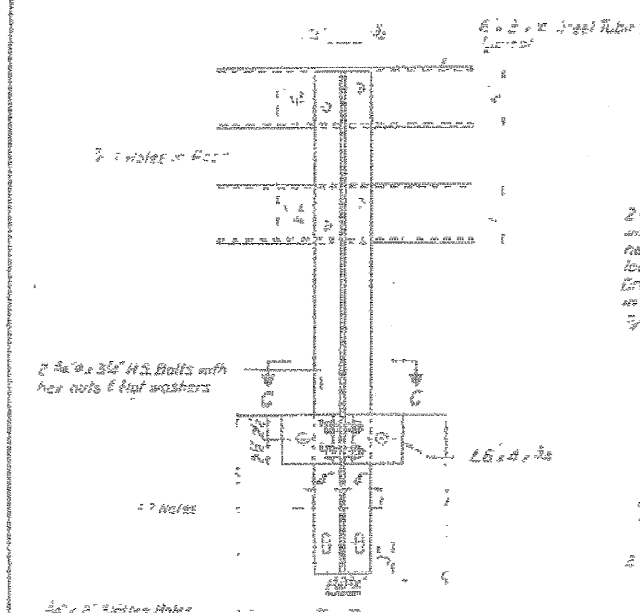
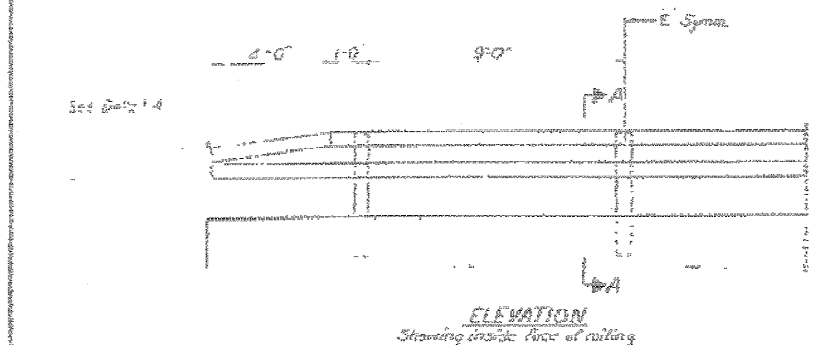


STATE OF ILLINOIS  
DEPARTMENT OF PUBLIC WORKS & BUILDINGS  
DIVISION OF HIGHWAYS

DATE	BY	REVISION	NO.
11/15/07	J.M.	REVISED	1
11/15/07	J.M.	REVISED	2
11/15/07	J.M.	REVISED	3
11/15/07	J.M.	REVISED	4
11/15/07	J.M.	REVISED	5



**NOTES**

1. Show structural steel tubing shall conform to the requirements of ASTM designation A-501 "Hot Formed Hollow and Seamless Carbon Steel Structural Tubing."

2. All other steel shapes and plates shall conform to the requirements of ASTM designation A-36 unless otherwise noted.

3. All bolts, nuts, cap screws, washers and lock washers shall be galvanized in accordance with ASTM designation A-153.

4. All posts, railing, end caps, end brackets and angles shall be galvanized after snow fabrication in accordance with ASTM designation A-153 and A-388. 50% minimum zinc shall not be required.

5. Railing shall be in accordance with Section 508 of the Standard Specifications, except as noted, and shall be paid for at the contract unit price per lineal foot for STEEL RAILING, TYPE N.

6. All field drilled holes shall be coated with an approved zinc rich paint before erection.

7. The lower portion of the post flange as casted with concrete shall receive two coats of asphalt paint conforming to Section 744.08 Type B or place 1/2" fabric bearing pad between the post and concrete. The 2" high strength bolts used to connect the 6"x4" angles to the post shall be tightened in accordance with Article 742.11 of the Standard Specifications. The 1" high strength bolts connecting the angles to the concrete beam shall be tightened to a snug fit and given an additional 1/2 turn.

**BILL OF MATERIAL**

Item	Unit	Quantity
STEEL RAILING, TYPE N	(Line Item) 50	

**TYPE N  
STEEL RAILING**  
SBI RT. 16 SEC. 116 DR-3  
IROQUOIS COUNTY  
STA. 317+52

DESIGNED	J.M. JML	CHECKED	J.M.
DRAWN	J.L. Armstrong	CHECKED	J.M.

DESIGNED	J.M. JML	REVISIONS	
DRAWN	J.L. Armstrong	NO. 1	DATE

STATE OF ILLINOIS  
DEPARTMENT OF TRANSPORTATION

EXISTING PLANS

FOR INFORMATIONAL  
USE ONLY

FILE NAME =	USER NAME = carpernterj	DESIGNED - JML	REVISED -	F.A.P. RTE.	SECTION	COUNTY	TOTAL SHEETS	SHEET NO.
c:\projects\ep83504\consult\20-24.00702	3.00_b10-b14_existingplans.dgn	DRAWN - DJM	REVISED -	681	116 BR-1	IROQUOIS	28	21
PLOT SCALE = 1:8000 / 1 IN.	CHECKED - MSW	REVISIONS		SCALE:	SHEET NO. B11 OF 14 SHEETS	STA.	TO STA.	CONTRACT NO. 66730
PLOT DATE = Aug 07, 2008 - 09:05:37 AM	DATE - 04/09/08	REVISIONS		FED. ROAD DIST. NO. 3	ILLINOIS FED. AID PROJECT			