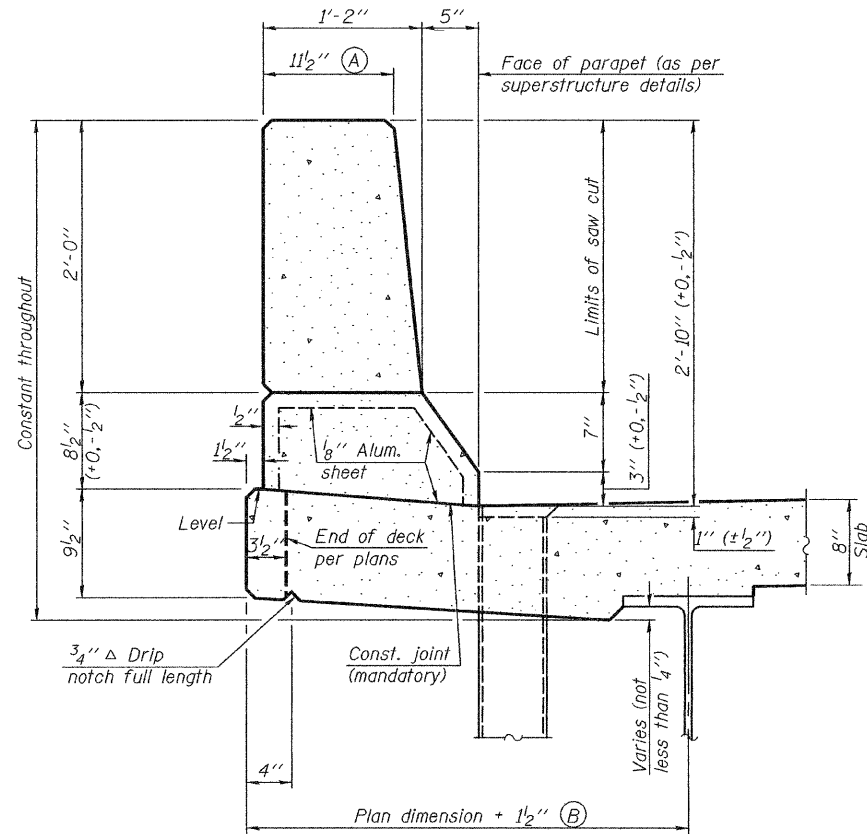


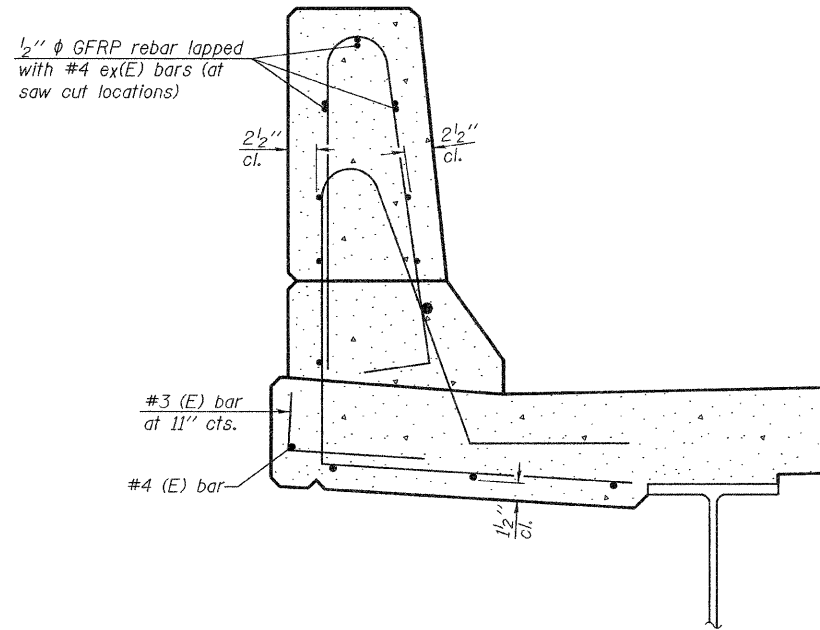
STATE OF ILLINOIS  
DEPARTMENT OF TRANSPORTATION

ROUTE NO.	SECTION	COUNTY	TOTAL SHEETS	SHEET NO.	SHEET NO. 28 32 SHEETS
F.A.I. 80	14BR & 14BR-1	BUREAU	219	100	
FED. ROAD DIST. NO. 7	ILLINOIS	FED. AID PROJECT			

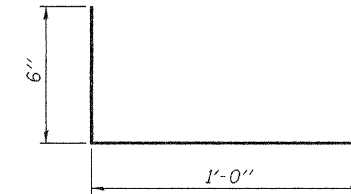
Contract No. 66731



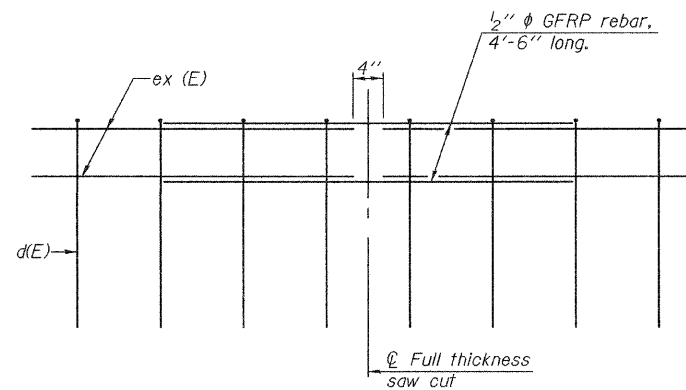
**SECTION**  
(Showing dimensions)



**SECTION**  
(Showing reinforcement clearances for slip forming and additional reinforcement bars)



**#3 (E) BAR**



**GFRP REBAR STIFFENING DETAIL**

(Place as shown in parapet section at each parapet joint location.)

**CONCRETE PARAPET  
SLIPFORMING OPTION**  
F.A.I. RTE. 80 - SEC. 14BR & 14BR-1  
BUREAU COUNTY  
STATION 400+22.07  
STRUCTURE NO. 006-0165 (E.B.)  
STRUCTURE NO. 006-0166 (W.B.)

DESIGNED	Nicholas R. Barnett	Sep. 30, 2008
CHECKED	Ray Ahanchi	EXAMINED <i>Thomas J. Romagallo</i> ENGINEER OF BRIDGE DESIGN
DRAWN	h.f. duong	PASSED <i>Ronald E. Anderson</i> ENGINEER OF BRIDGES AND STRUCTURES
CHECKED	NRB/GRA	

SFP-34

9-3-07