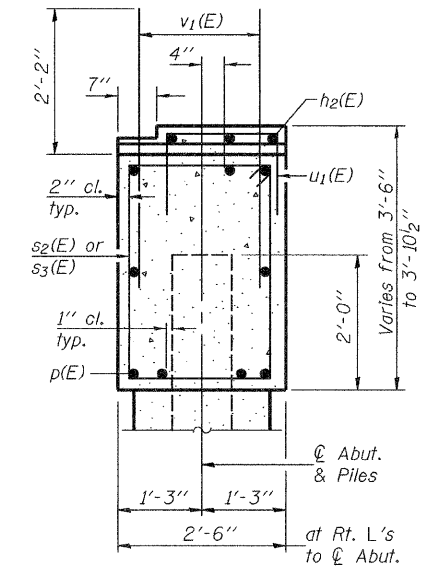
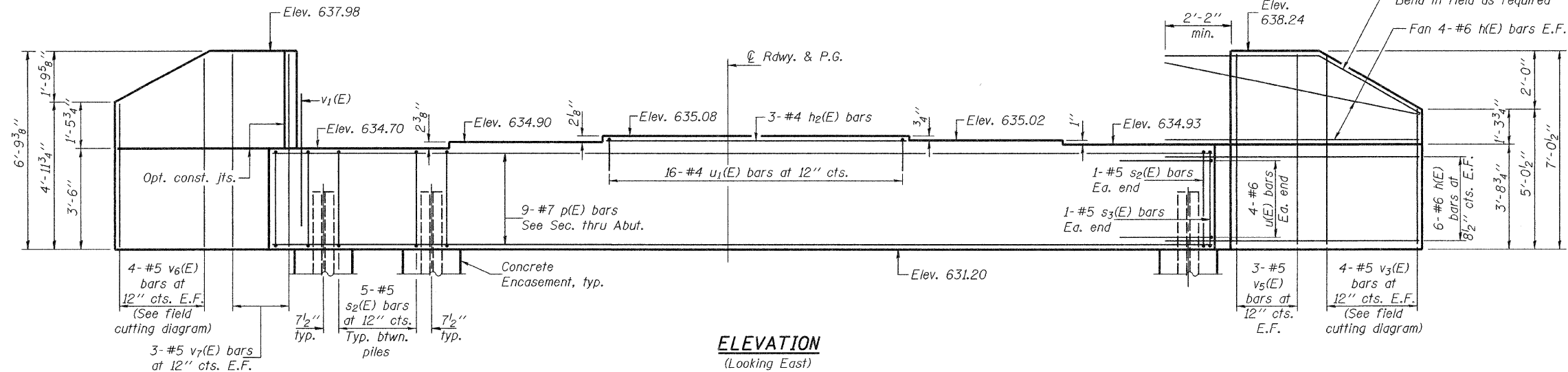


STATE OF ILLINOIS
DEPARTMENT OF TRANSPORTATION

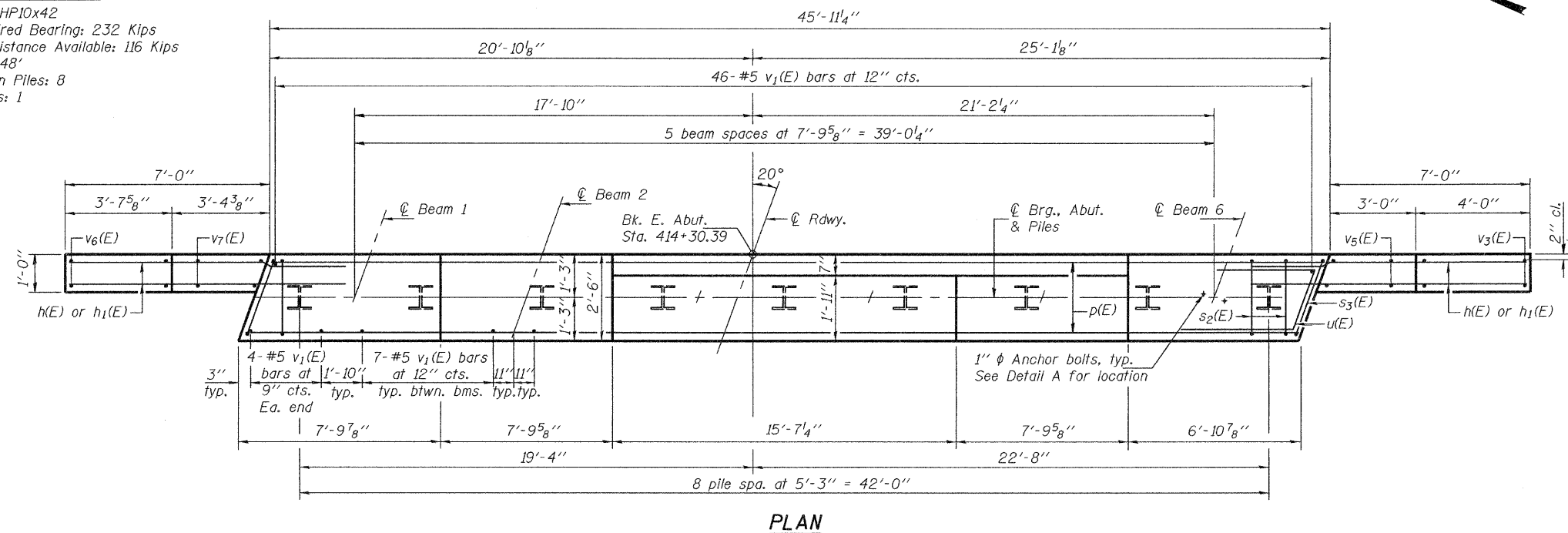
ROUTE NO.	SECTION	COUNTY	TOTAL SHEETS	SHEET NO.	SHEET NO. 21 35 SHEETS
F.A.I. 80	14VBR-2 & 14VBR-3	BUREAU	219	125	
FED. ROAD DIST. NO. 7		ILLINOIS	FED. AID PROJECT		

Contract No. 66731



PILE DATA

Type: Steel HP10x42
Nominal Required Bearing: 232 Kips
Factored Resistance Available: 116 Kips
Est. Length: 48'
No. Production Piles: 8
No. Test Piles: 1



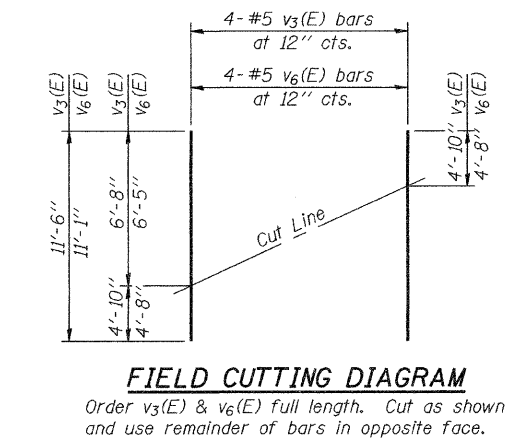
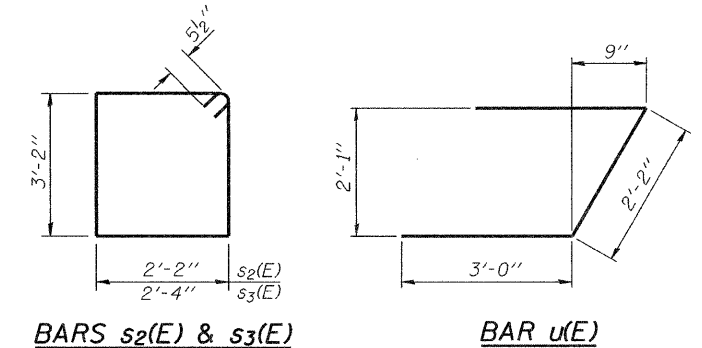
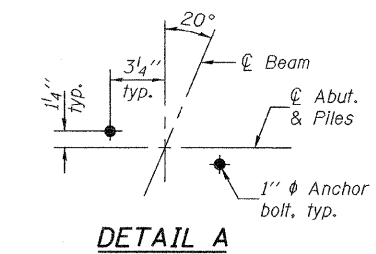
BILL OF MATERIAL

Bar	No.	Size	Length	Shape
h(E)	40	#6	9'-5"	—
h1(E)	4	#5	10'-4"	—
h2(E)	3	#4	15'-4"	—
p(E)	9	#7	45'-7"	—
s2(E)	42	#5	11'-7"	□
s3(E)	2	#5	11'-11"	□
u(E)	8	#6	8'-2"	┌
u1(E)	16	#4	3'-7"	┌
v1(E)	89	#5	4'-4"	—
v3(E)	4	#5	11'-6"	—
v5(E)	6	#5	6'-8"	—
v6(E)	4	#5	11'-1"	—
v7(E)	6	#5	6'-5"	—
Structure Excavation		Cu. Yd.	84	
Concrete Structures		Cu. Yd.	19.3	
Reinforcement Bars, Epoxy Coated		Pound	2730	
Furnishing Steel Piles HP10x42		Foot	384	
Driving Piles		Foot	384	
Test Pile Steel HP10x42		Each	1	
Concrete Encasement		Cu. Yd.	3.1	
Anchor Bolts, 1" φ		Each	12	

Notes: Four steps monolithically with cap.
Space reinforcement in cap to miss anchor bolts.
For details of piles and concrete encasement, see sheet 29 of 35.

DESIGNED	Nicholas R. Barnett
CHECKED	Ray Ahanchi
DRAWN	h.f. duong
CHECKED	NRB/GRA

Sep. 30, 2008
EXAMINED *Thomas J. Domagalicki*
PASSED *Ronald E. Anderson*
ENGINEER OF BRIDGES AND STRUCTURES



EAST ABUTMENT (E.B.)
F.A.I. RTE. 80 - SEC. 14VBR-2 & 14VBR-3
BUREAU COUNTY
STATION 413+39.84
STRUCTURE NO. 006-0167 (E.B.)
STRUCTURE NO. 006-0168 (W.B.)