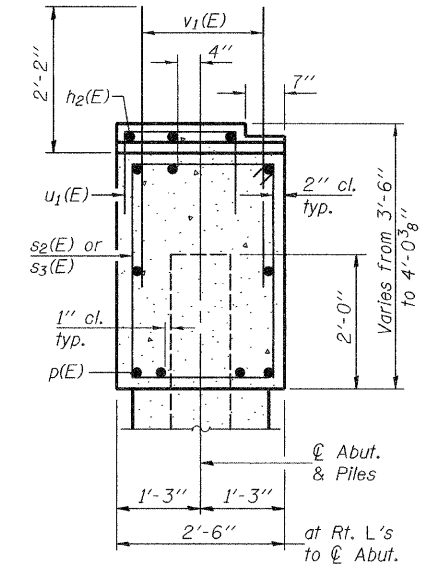
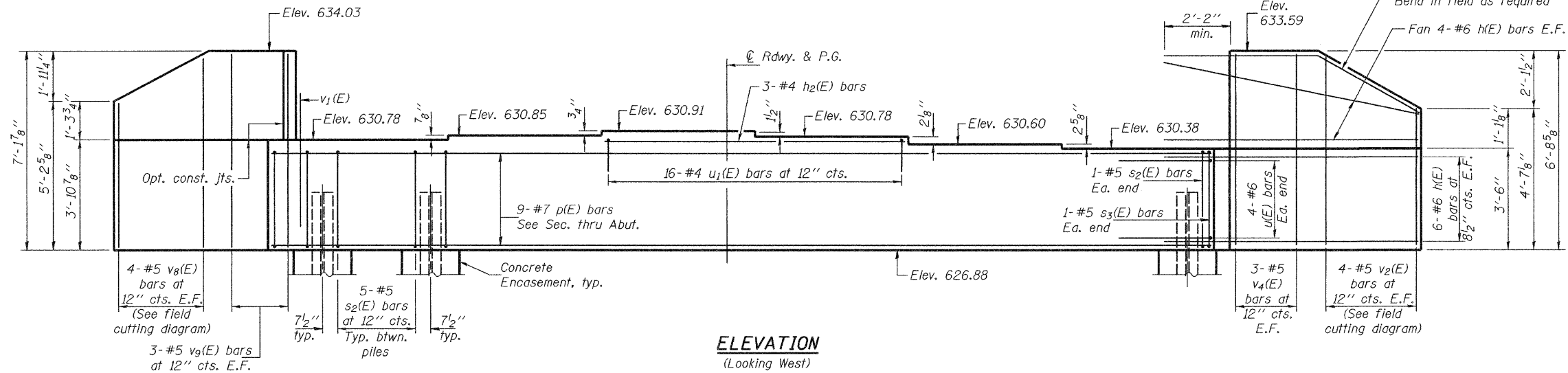


STATE OF ILLINOIS
DEPARTMENT OF TRANSPORTATION

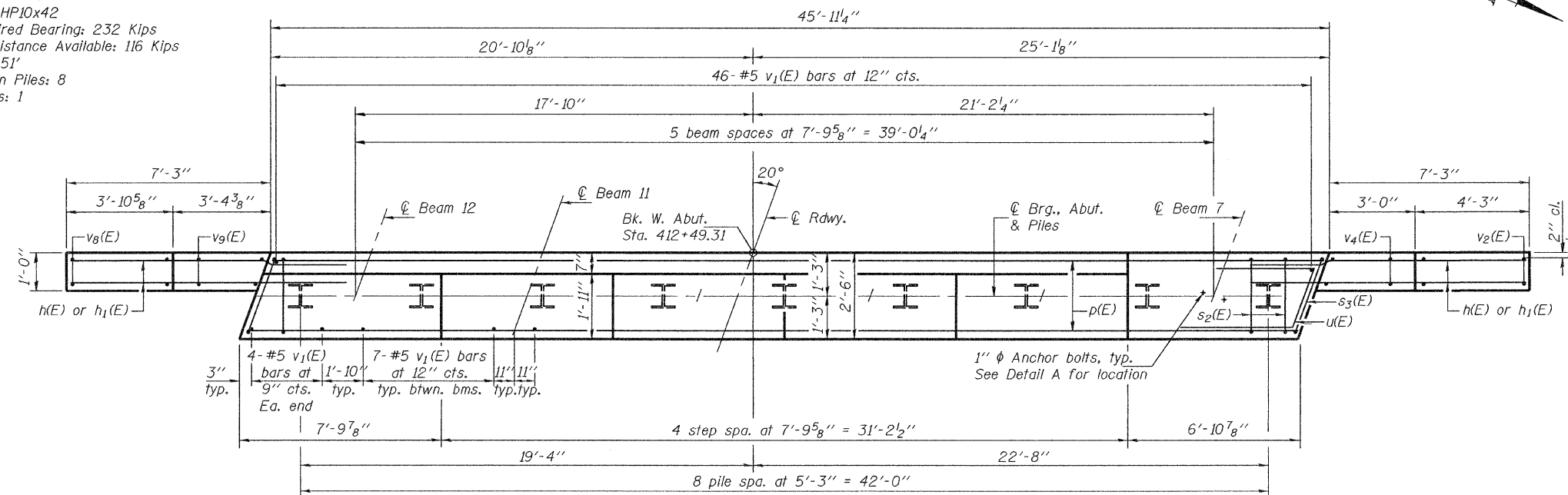
ROUTE NO.	SECTION	COUNTY	TOTAL SHEETS	SHEET NO.	SHEET NO. 22 35 SHEETS
F.A.I. 80	14VBR-2 & 14VBR-3	BUREAU	219	126	
FED. ROAD DIST. NO. 7	ILLINOIS	FED. AID PROJECT-			

Contract No. 66731



PILE DATA

Type: Steel HP10x42
Nominal Required Bearing: 232 Kips
Factored Resistance Available: 116 Kips
Est. Length: 51'
No. Production Piles: 8
No. Test Piles: 1



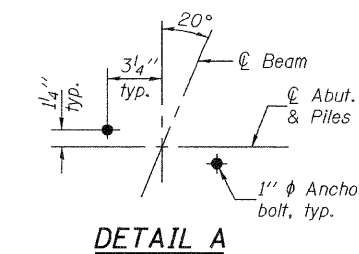
BILL OF MATERIAL

Bar	No.	Size	Length	Shape
h(E)	40	#6	9'-5"	—
h1(E)	4	#5	10'-4"	—
h2(E)	3	#4	15'-4"	—
p(E)	9	#7	45'-7"	—
s2(E)	42	#5	11'-7"	□
s3(E)	2	#5	11'-11"	□
u(E)	8	#6	8'-2"	┌
u1(E)	16	#4	3'-7"	┌
v1(E)	89	#5	4'-4"	—
v2(E)	4	#5	10'-8"	—
v4(E)	6	#5	6'-4"	—
v8(E)	4	#5	11'-8"	—
v9(E)	6	#5	6'-10"	—
Structure Excavation			Cu. Yd.	84
Concrete Structures			Cu. Yd.	19.5
Reinforcement Bars, Epoxy Coated			Pound	2720
Furnishing Steel Piles HP10x42			Foot	408
Driving Piles			Foot	408
Test Pile Steel HP10x42			Each	1
Concrete Encasement			Cu. Yd.	3.1
Anchor Bolts, 1" φ			Each	12

Notes: Pour steps monolithically with cap.
Space reinforcement in cap to miss anchor bolts.
For details of piles and concrete encasement, see sheet 29 of 35.

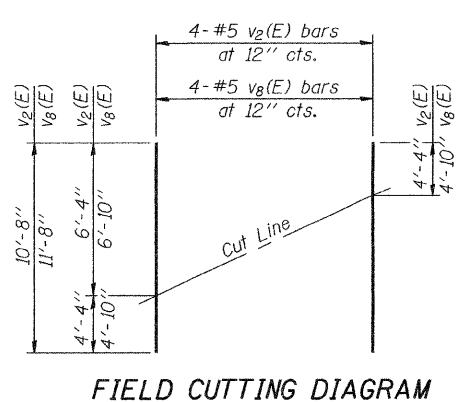
DESIGNED	Nicholas R. Barnett
CHECKED	Ray Ahanchi
DRAWN	h.f. duong
CHECKED	NRB/GRA

EXAMINED **Thomas J. Donagabadi**
ENGINEER OF BRIDGE DESIGN
PASSED **Ronald E. Anderson**
ENGINEER OF BRIDGES AND STRUCTURES



BARS s2(E) & s3(E)

BAR u(E)



FIELD CUTTING DIAGRAM

Order v2(E) & v8(E) full length. Cut as shown and use remainder of bars in opposite face.

WEST ABUTMENT (W.B.)
F.A.I. RTE. 80 - SEC. 14VBR-2 & 14VBR-3
BUREAU COUNTY
STATION 413+39.84
STRUCTURE NO. 006-0167 (E.B.)
STRUCTURE NO. 006-0168 (W.B.)