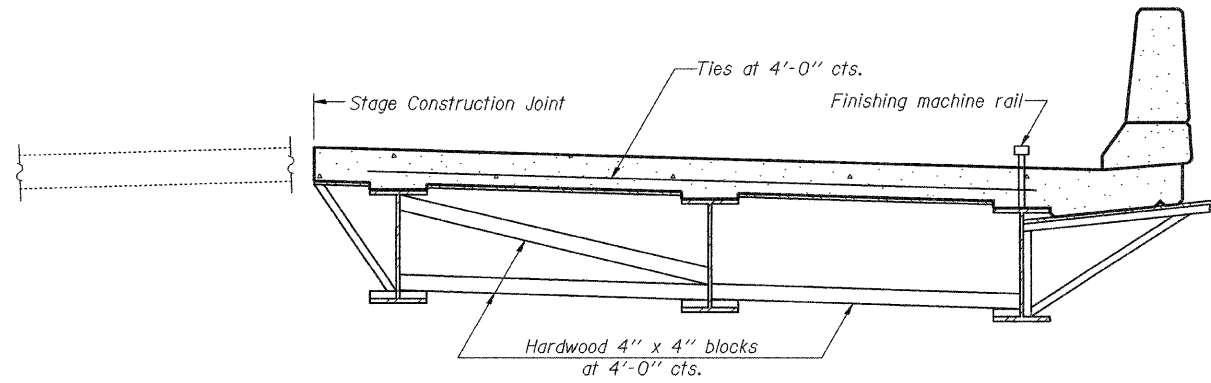


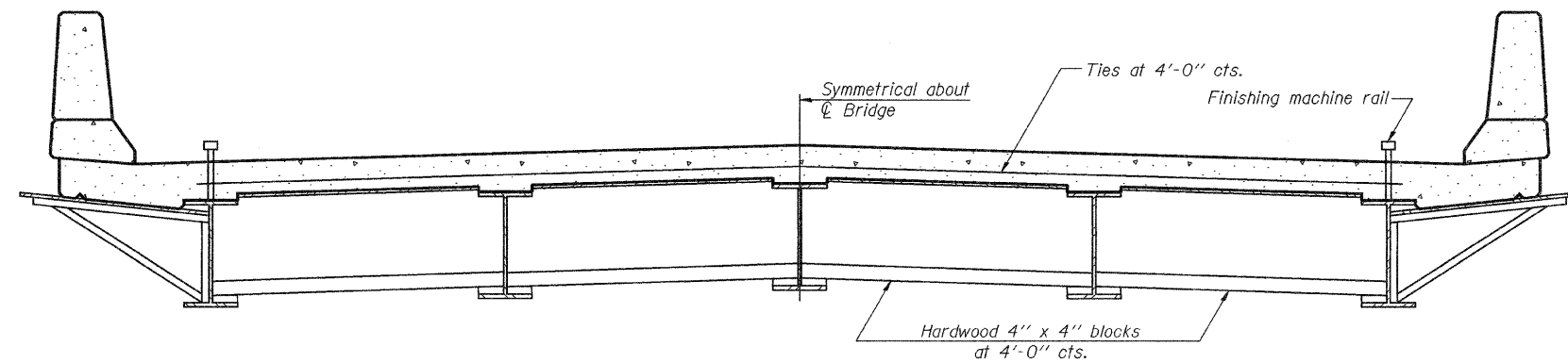
STATE OF ILLINOIS
DEPARTMENT OF TRANSPORTATION

ROUTE NO.	SECTION	COUNTY	TOTAL SHEETS	SHEET NO.	SHEET NO. 31 35 SHEETS
F.A.I. 80	14VBR-2 & 14VBR-3	BUREAU	219	135	
FED. ROAD DIST. NO. 7	ILLINOIS	FED. AID PROJECT			

Contract No. 66731



**FORM BRACES FOR
STAGE CONSTRUCTION**



**FORM BRACES FOR
STANDARD CONSTRUCTION**

When cantilever forming brackets are used, the work shall be done according to Article 503.06(b) of the Standard Specifications, except as modified below and in the details shown on this sheet.

The finishing machine rails shall be placed on the top flange of the exterior beams.

The beams or girders, supporting cantilever forming brackets, shall be tied together at 4 foot intervals.

For Standard construction, or Stage Construction the Hardwood bracing materials shall be placed as shown between webs of beams in each bay.

DESIGNED	Nicholas R. Barnett
CHECKED	Ray Ahanchi
DRAWN	h.t. duong
CHECKED	NRB/GRA

EXAMINED	Thomas J. Domagala ENGINEER OF BRIDGE DESIGN
PASSED	Ronald E. Anderson ENGINEER OF BRIDGES AND STRUCTURES

SB-1

11-1-06

**CANTILEVER FORMING BRACKETS
FOR SUPERSTRUCTURES WITH
W27 BEAMS AND SMALLER
F.A.I. RTE. 80 - SEC. 14VBR-2 & 14VBR-3
BUREAU COUNTY
STATION 413+39.84
STRUCTURE NO. 006-0167 (E.B.)
STRUCTURE NO. 006-0168 (W.B.)**