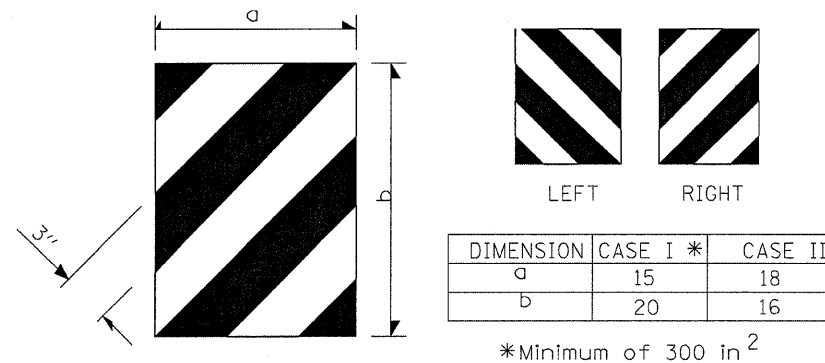
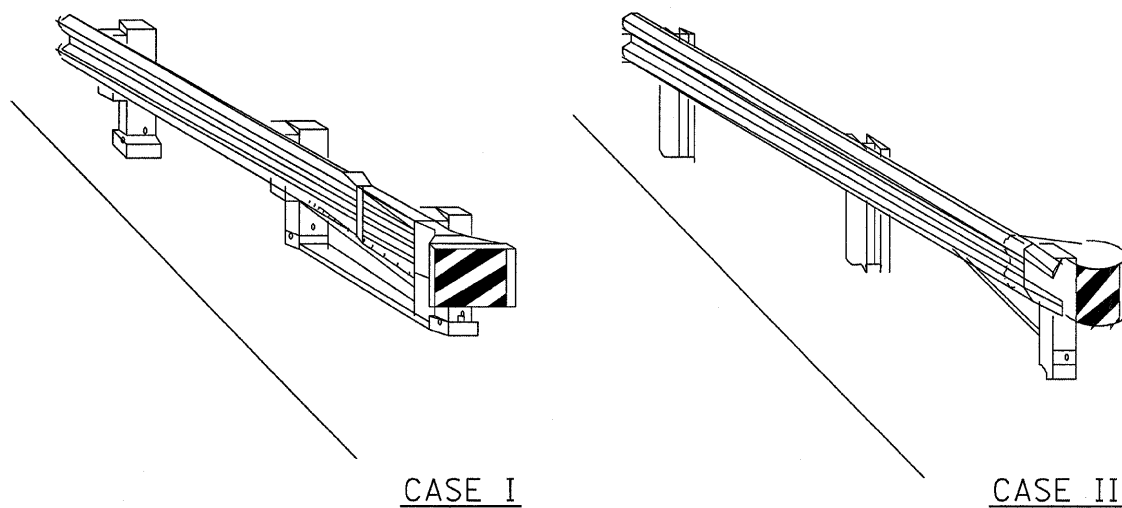
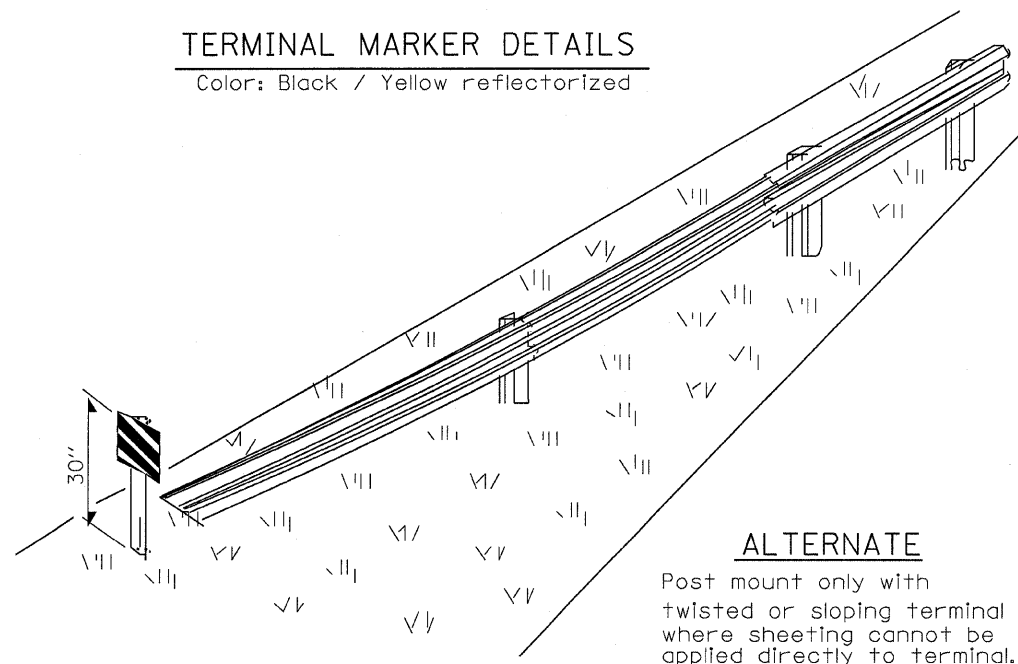


F.A.P. RTE.	SECTION	COUNTY	TOTAL SHEETS	SHEET NO.
80		BUR & LAS	219	175
STA. _____		TO STA. _____		
FED. ROAD DIST. NO. _____		ILLINOIS FED. AID PROJECT		

\* (06-14 & 50-8)RS-1 (14B,B-1,VB,VB-1,VB-2,VB-3)BR

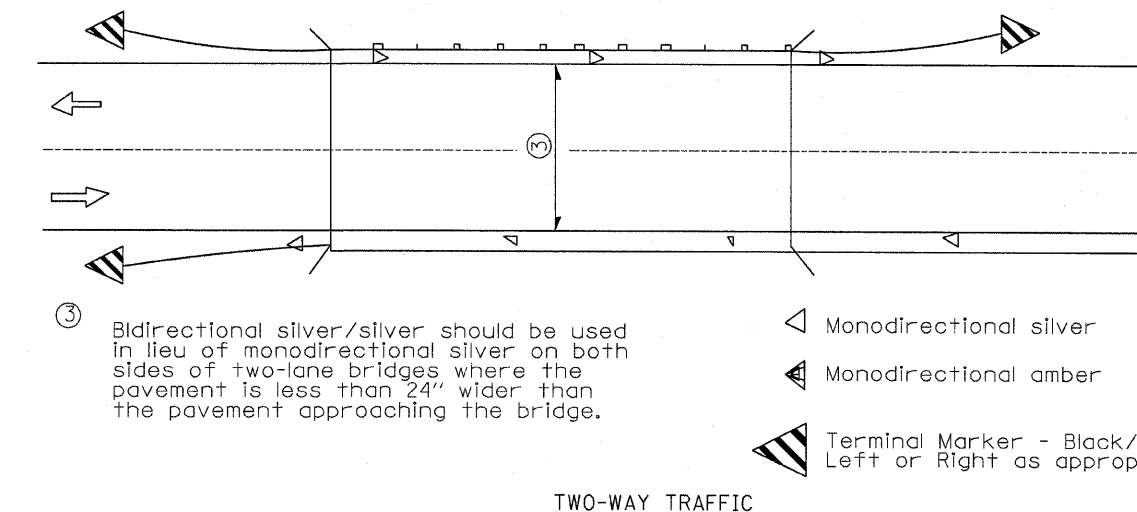
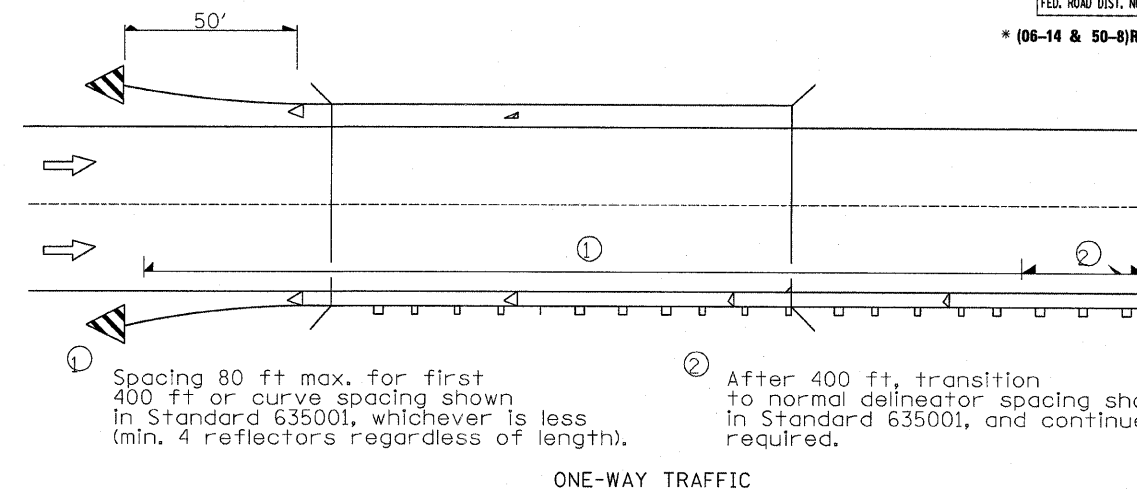


**TERMINAL MARKER DETAILS**  
Color: Black / Yellow reflectorized

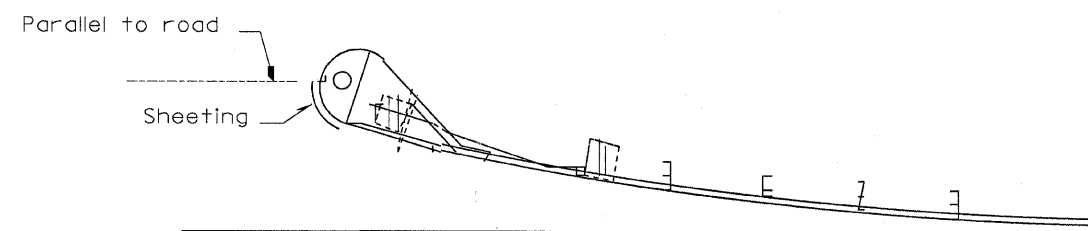


**ALTERNATE**

Post mount only with twisted or sloping terminal where sheeting cannot be applied directly to terminal.



**GUARDRAIL / BARRIER WALL / BRIDGE RAIL REFLECTORS**



**SHEETING POSITION: CASE II**

PLOT DATE = Aug 27, 2008 - 02:02:39 PM  
FILE NAME = c:\p\work\p\rdot\wenzelko\dms2861\drsta1a.dgn  
PLOT SCALE = 1000.0000 / IN.  
USER NAME = wenzelko

REVISIONS	
NAME	DATE

ILLINOIS DEPARTMENT OF TRANSPORTATION

**DETAILS**

SCALE: VERT. \_\_\_\_\_  
HORIZ. \_\_\_\_\_  
DATE \_\_\_\_\_

DRAWN BY \_\_\_\_\_  
CHECKED BY \_\_\_\_\_