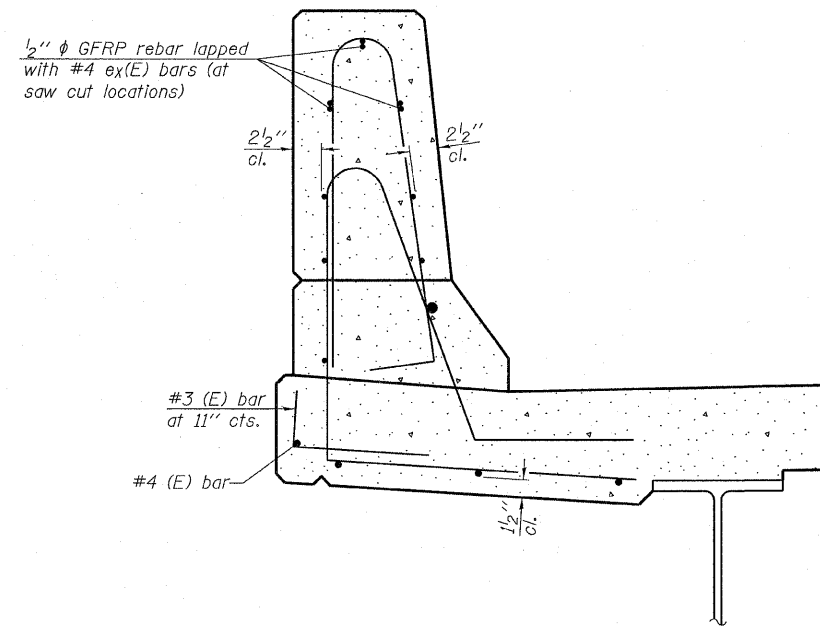
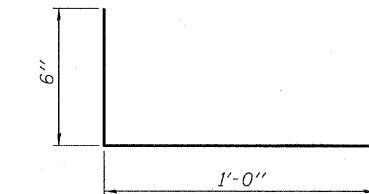


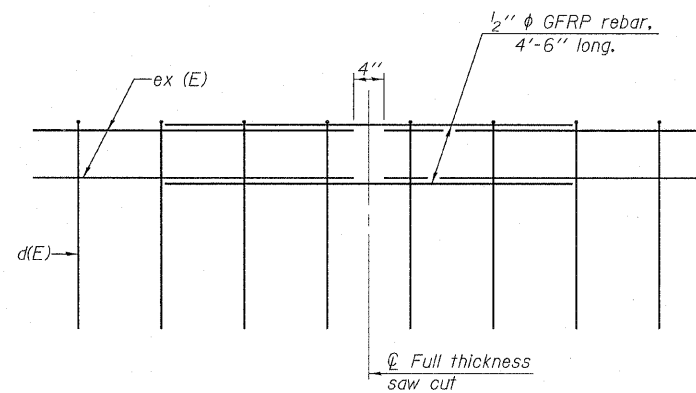
**SECTION**  
(Showing dimensions)



**SECTION**  
(Showing reinforcement clearances for slip forming and additional reinforcement bars)



**#3 (E) BAR**




**GFRP REBAR STIFFENING DETAIL**  
(Place as shown in parapet section at each parapet joint location.)

**CONCRETE PARAPET SLIPFORMING OPTION**  
**STRUCTURE NO. 029-0066**

DESIGNED - P.S.L.
CHECKED - M.D.C.
DRAWN - D.A.B.
CHECKED - M.D.C.

SFP-34 5-16-08

<b>HAMPTON, LENZINI &amp; RENWICK, INC.</b> CIVIL & STRUCTURAL ENGINEERS LAND SURVEYORS  3085 STEVENSON DRIVE, SUITE 201 SPRINGFIELD, ILLINOIS 62703 (217) 546-3400	SHEET NO. 11	F.A.P.	SECTION	COUNTY	TOTAL SHEETS	SHEET NO.
	20 SHEETS	665	(144-B)BR	FULTON	67	27
		IL 116 OVER LITTLERS CREEK		CONTRACT NO. 68091		
	PROJECT NUMBER: 12-37-0003-1	DATE: 07/31/08	FED. ROAD DIST. NO. 4 ILLINOIS FED. AID PROJECT			