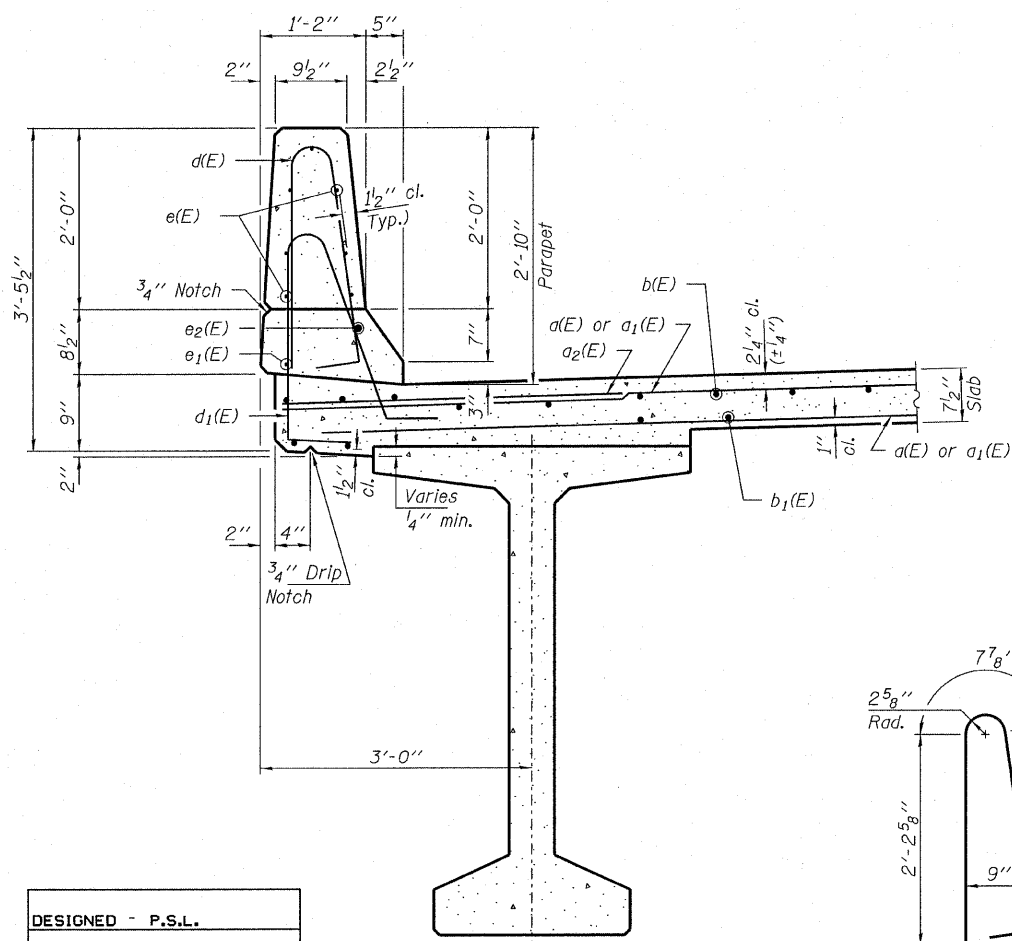


**INSIDE ELEVATION OF PARAPET**

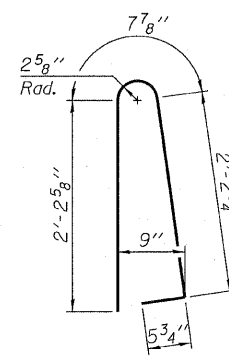
Notes:  
 Bars indicated thus 1 x 3-#8 etc. indicates  
 1 line of bars with 3 lengths per line.

**MIN. BAR LAPS**

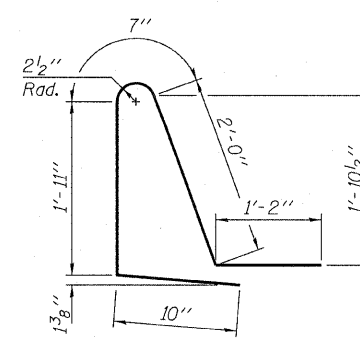
#4 bars = 1'-4"  
 #8 bars = 3'-5"



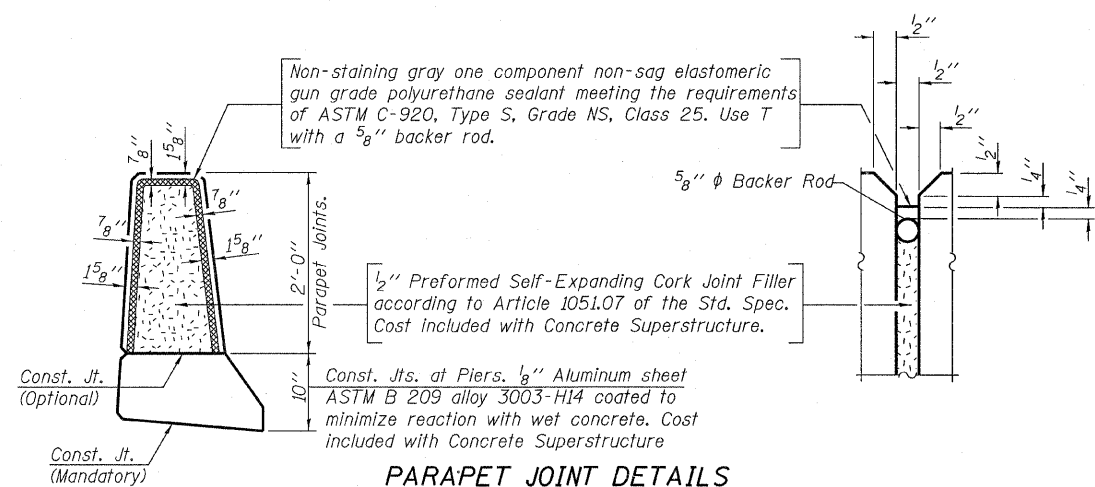
**SECTION THRU PARAPET**



**BAR d(E)**



**BAR d1(E)**



**PARAPET JOINT DETAILS**

**SUPERSTRUCTURE  
 BILL OF MATERIAL**

Bar	No.	Size	Length	Shape
d(E)	276	#5	16'-3"	—
a1(E)	276	#5	18'-3"	—
a2(E)	154	#6	6'-0"	—
b(E)	160	#5	26'-7"	—
b1(E)	145	#5	21'-7"	—
d(E)	222	#5	5'-7"	┌
d1(E)	222	#5	6'-6"	┌
e(E)	70	#4	20'-0"	—
e1(E)	8	#4	26'-4"	—
e2(E)	6	#8	36'-0"	—
m(E)	4	#6	15'-5"	—
m1(E)	10	#6	16'-5"	—
m2(E)	36	#6	7'-10"	—
m3(E)	8	#6	3'-5"	—
m4(E)	4	#6	1'-9"	—
m5(E)	4	#6	17'-6"	—
m6(E)	10	#6	18'-5"	—
m7(E)	2	#6	2'-8"	—
s(E)	52	#5	7'-2"	┌
s1(E)	38	#4	14'-8"	┌
v(E)	68	#5	3'-7"	┌
Reinforcement Bars, Epoxy Coated		Pound		25,700
Concrete Superstructures		Cu. Yds.		153.5
Protective Coat		Sq. Yds.		447
Bridge Deck Grooving		Sq. Yds.		339

DESIGNED - P.S.L.
CHECKED - M.D.C.
DRAWN - D.A.B.
CHECKED - M.D.C.

**SUPERSTRUCTURE DETAILS  
 STRUCTURE NO. 029-0066**

<b>HAMPTON, LENZINI &amp; RENWICK, INC.</b> CIVIL & STRUCTURAL ENGINEERS LAND SURVEYORS <b>HLR</b> 3085 STEVENSON DRIVE, SUITE 201 SPRINGFIELD, ILLINOIS 62703 (217) 546-3400 PROJECT NUMBER: 12-37-0003-1 DATE: 07/31/08	SHEET NO. 12	F.A.P.	SECTION	COUNTY	TOTAL SHEETS	SHEET NO.	
	20 SHEETS	665	(144-B)BR	FULTON	67	28	
			IL 116 OVER LITTLERS CREEK		CONTRACT NO. 68091		
			FED. ROAD DIST. NO. 4	ILLINOIS	FED. AID PROJECT		