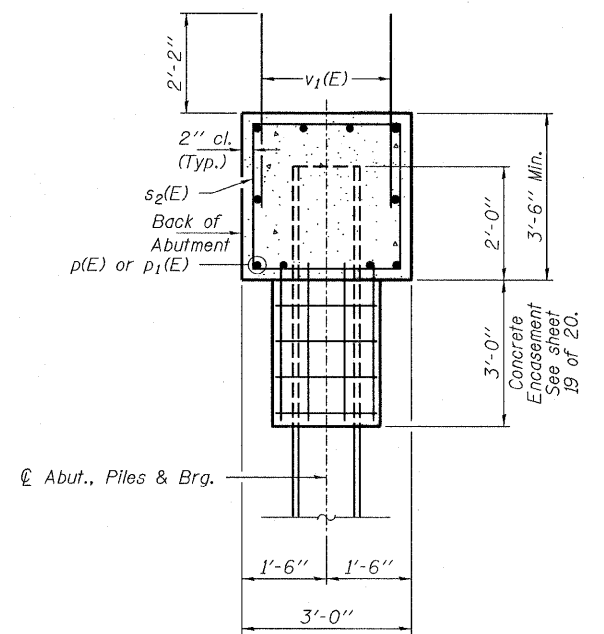
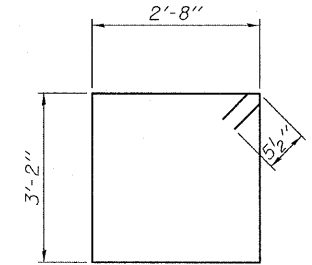


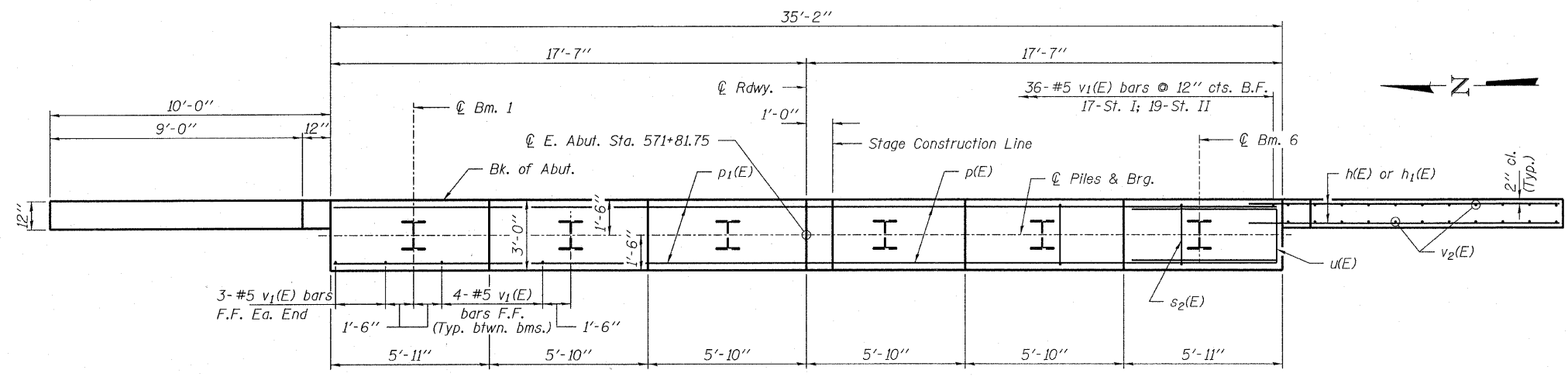
ELEVATION



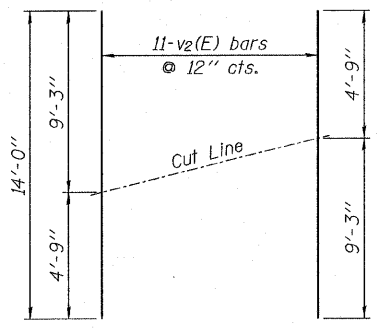
SECTION A-A



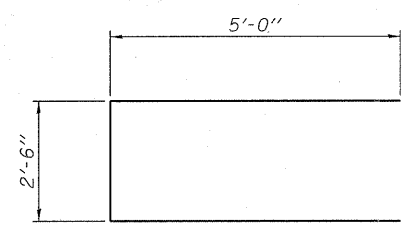
BAR s2(E)



SECTION



FIELD CUTTING DIAGRAM
Order v2(E) bars full length. Cut as shown and use remainder of bars in opposite face.



BAR u(E)

DESIGNED - P.S.L.
CHECKED - M.D.C.
DRAWN - D.A.B.
CHECKED - M.D.C.

PILE DATA

Type: Steel HP12x63 w/Pile Shoe
 No. Req'd. (E. Abut.): 6
 Allowable Resistance Available: 165 Kips/Pile
 Nominal Req'd Bearing: 496 Kips/Pile
 Est. Length: 25 Ft/Pile

Notes: *Includes one test pile to be driven in permanent location at the East Abutment.

The Steel H-Piles shall be according to AASHTO M270 Grade 50.

The test piles shall be driven to 110 percent of the Nominal Required Bearing indicated in the pile data information.

BILL OF MATERIAL - E. ABUT.

BAR	NO.	SIZE	LENGTH	SHAPE
h(E)	28	#6	12'-0"	—
h1(E)	40	#6	13'-3"	—
p(E)	10	#7	16'-4"	—
p1(E)	10	#7	18'-4"	—
s2(E)	31	#5	12'-7"	□
u(E)	8	#6	12'-6"	—
v1(E)	62	#5	4'-4"	—
v2(E)	22	#5	14'-2"	—
Concrete Structures			Cu. Yd.	20.0
Reinf. Bars, Epoxy Coated			Pound	3,170
Furnishing Steel Piles HP 12x63			Foot	125
Driving Piles			Foot	125
Test Pile Steel HP 12x63			Each	1
Concrete Encasement			Cu. Yd.	2.1
Pile Shoes			Each	6

For Bar Splicer details see sheet 18 of 20.
 For Concrete Encasement details see sheet 19 of 20.

**EAST ABUTMENT
 STRUCTURE NO. 029-0066**

HAMPTON, LENZINI & RENWICK, INC. CIVIL & STRUCTURAL ENGINEERS LAND SURVEYORS HLR 3085 STEVENSON DRIVE, SUITE 201 SPRINGFIELD, ILLINOIS 62703 (217) 546-3400 PROJECT NUMBER: 12-37-0003-1 DATE: 07/31/08	SHEET NO. 17	F.A.P. 665	SECTION (144-B)BR	COUNTY FULTON	TOTAL SHEETS 67	SHEET NO. 33	
	20 SHEETS	IL 116 OVER LITTLERS CREEK		CONTRACT NO. 68091			
	FED. ROAD DIST. NO. 4		ILLINOIS		FED. AID PROJECT		