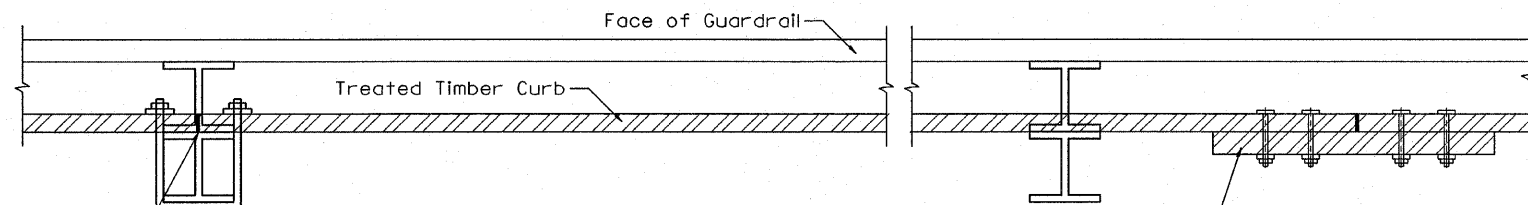


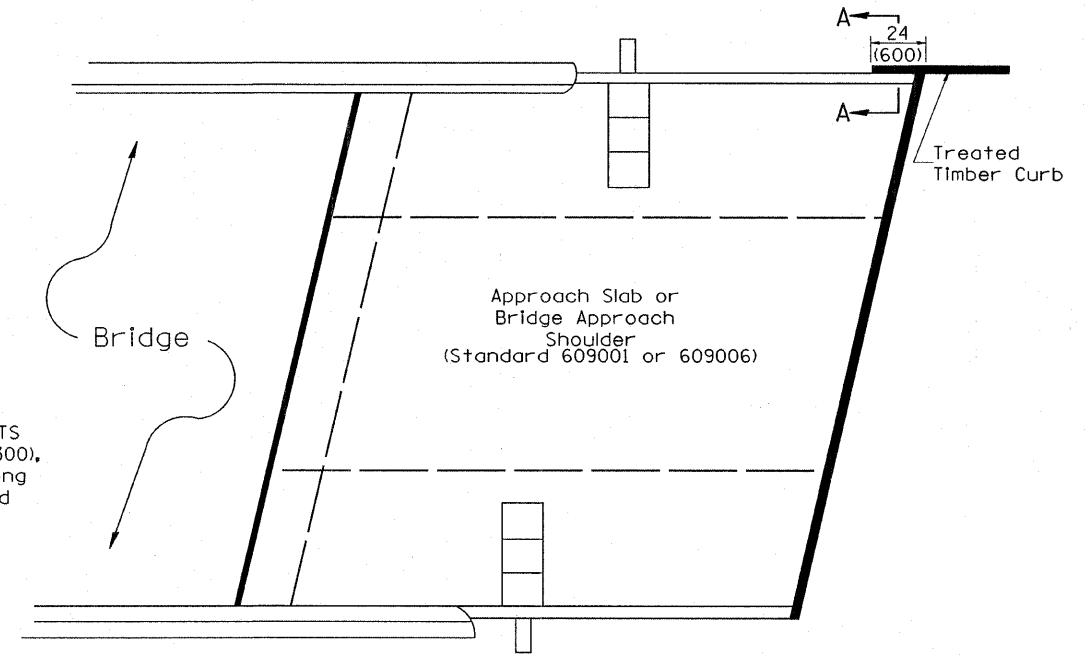
F.A.P. RTE.	SECTION	COUNTY	TOTAL SHEETS	SHEET NO.
665	(144-B)BR	FULTON	67	47
STA.		TO STA.		
FED. ROAD DIST. NO.		ILLINOIS	FED. AID PROJECT	



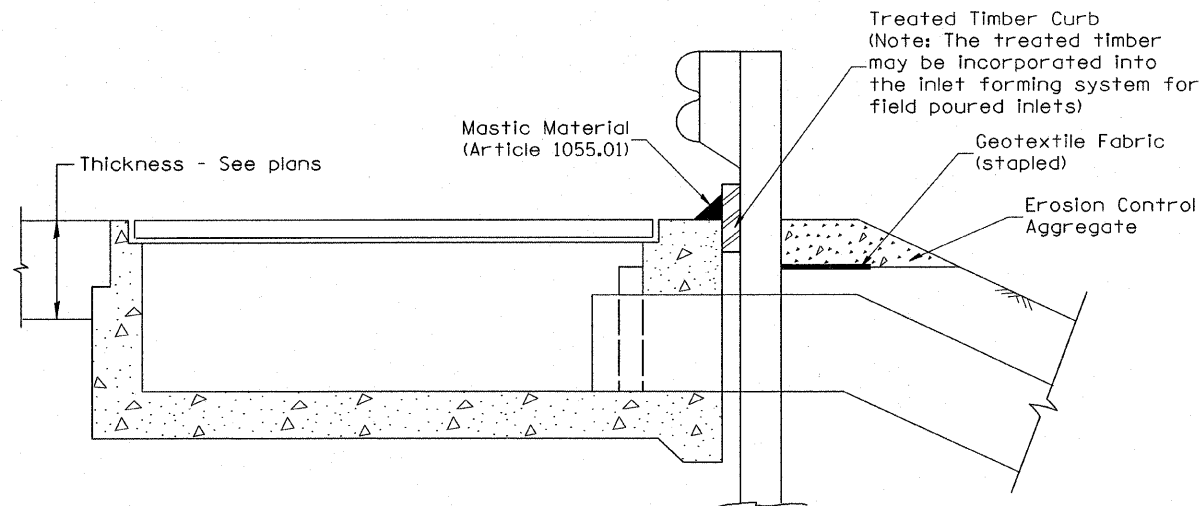
SPLICE LOCATED AT GUARDRAIL POST  
1/2(M12) galvanized U-bolt with  
nut & washer

SPLICE LOCATED BETWEEN GUARDRAIL POSTS  
treated timber splice plate 2x12 (50x300),  
actual size 1 1/2x1 1/2 (40x290), 24(600) long  
with 8 evenly spaced 1/2(M12) galvanized  
bolts with nuts & washers.

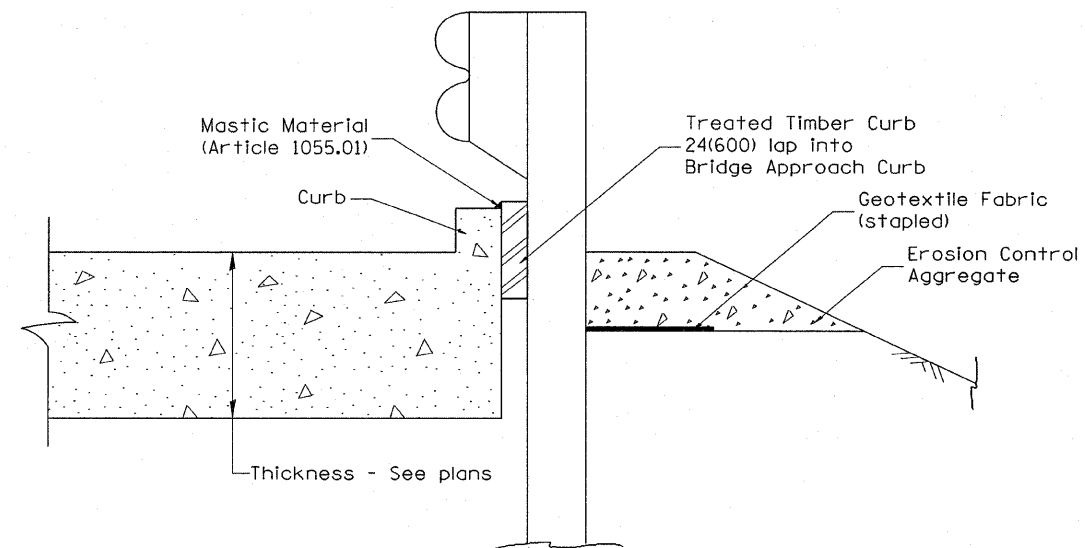
**DETAIL A**  
(Typical Treated Timber Splices)



**PLAN VIEW**  
**APPROACH SLAB OR BRIDGE APPROACH SHOULDER**  
(STANDARD 609001 or 609006)



**TYPICAL SECTION WITH EROSION CONTROL CURB**  
**AT INLETS TYPE E & F (STANDARD 610001)**



**SECTION A-A**  
**TYPICAL SECTION WITH EROSION CONTROL CURB**  
**AT BRIDGE APPROACH CURB**  
(STANDARD 609001 OR 609006)

All dimensions are in inches (millimeters)  
unless otherwise noted.

ILLINOIS DEPARTMENT OF TRANSPORTATION	
DISTRICT CADD STANDARD	
GUARDRAIL EROSION CONTROL TREATMENTS	
CADD STD NO. 630101-D4(2)	SHEET 2 OF 2
SCALE: NOT DRAWN TO SCALE	DRAWN BY CADD
	CHECKED BY