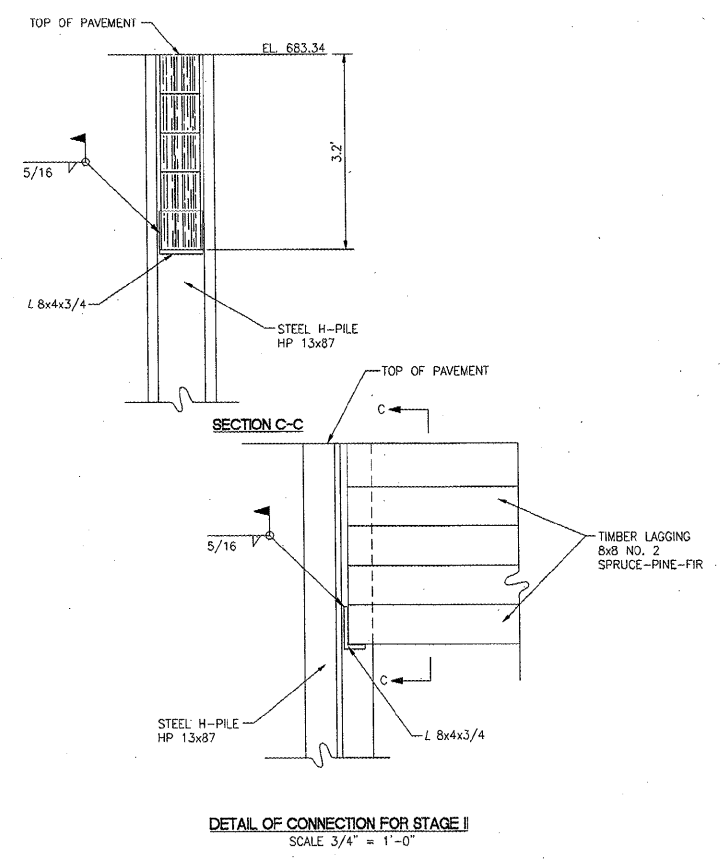
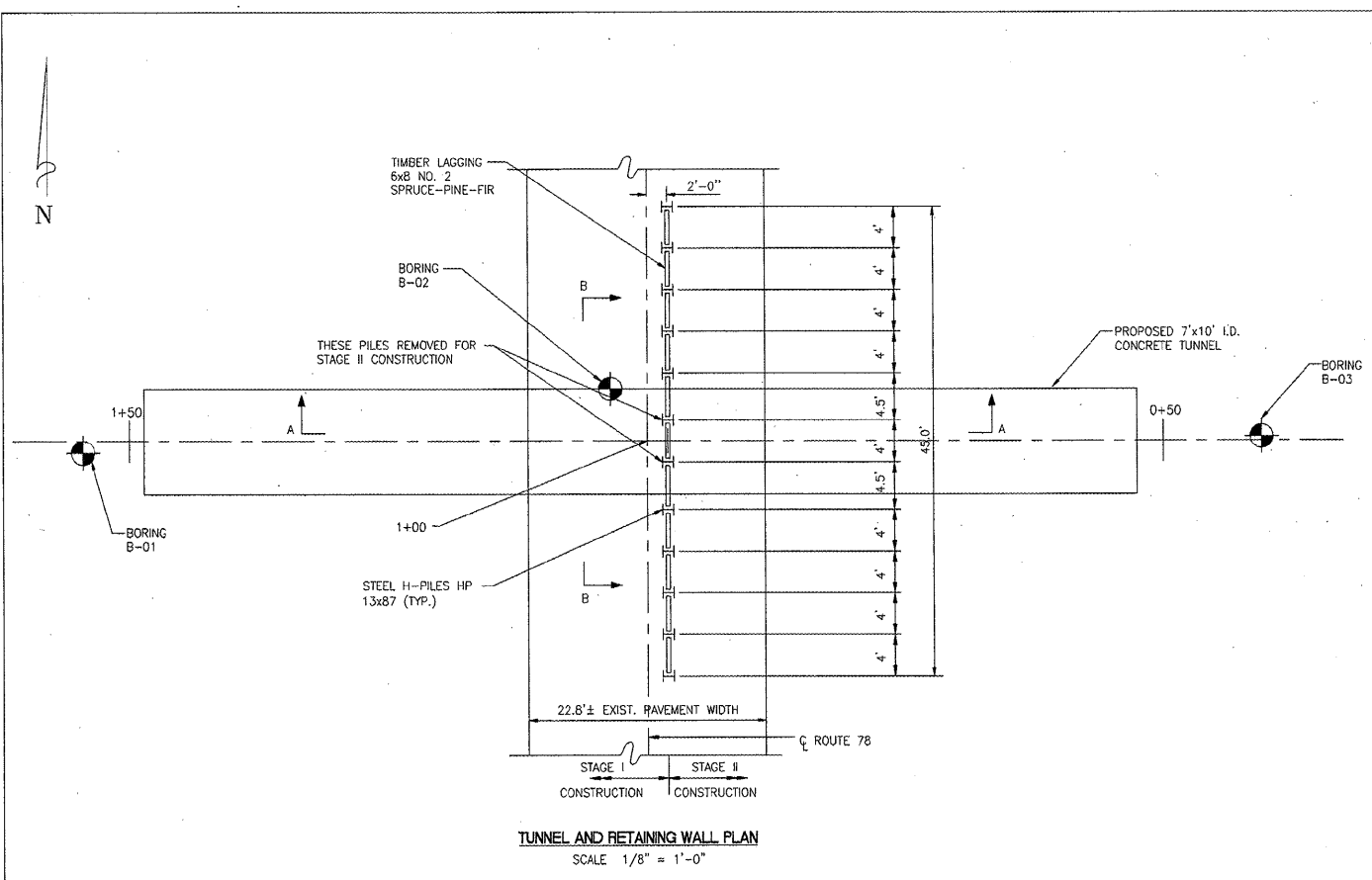
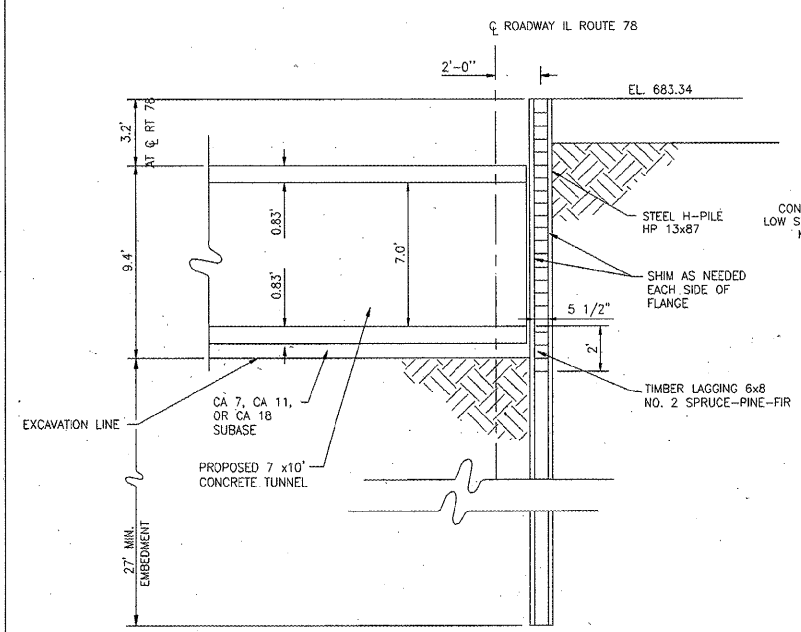


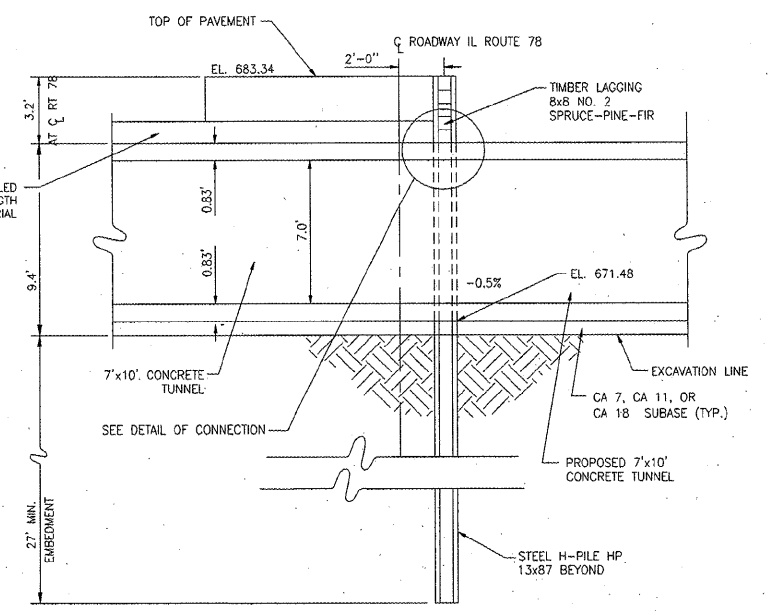
CONTRACT NO.				
F.A.D. RTE.	SECTION	COUNTY	TOTAL SHEETS	SHEET NO.
22	135W-2-BS-5	EULIQU	282	126
STA.	TO STA.			
FED. ROAD DIST. NO.	ILLINOIS		FED. AID PROJECT	



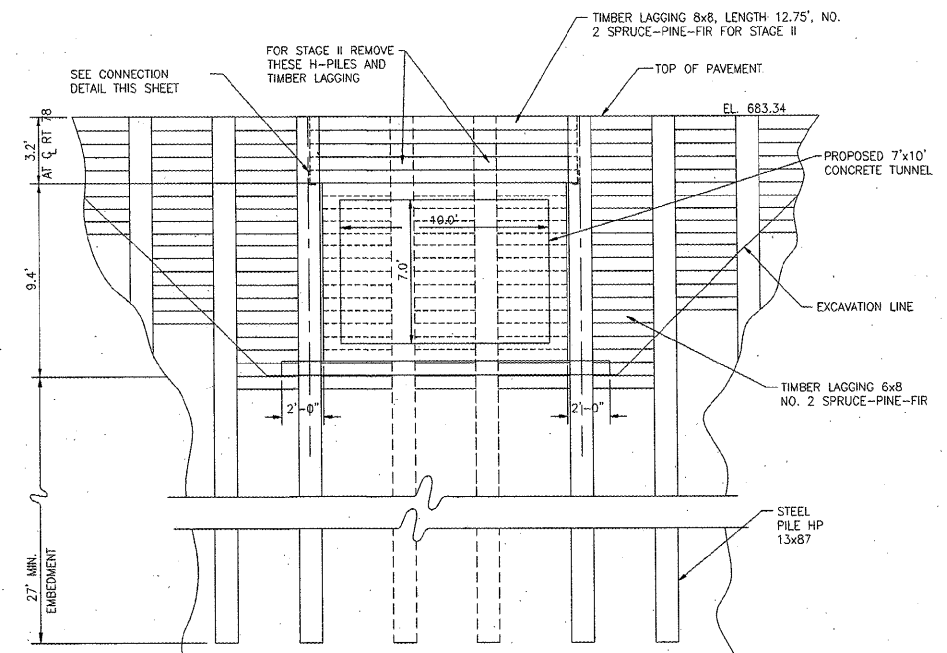
- STAGE I WALL SEQUENCE**
1. DRIVE IN PILES.
 2. EXCAVATE AND PUT IN WOOD LAGGING AND SHIMS BETWEEN STEEL FLANGES.
 3. PLACE SECTIONS OF PRECAST CONCRETE BOX TUNNEL.
 4. REMOVE WOOD LAGGING AND SHIMS WITHIN THE WIDTH OF THE NEW TUNNEL.
 5. BACKFILL AND CONSTRUCT NEW PAVEMENT.
- STAGE II WALL SEQUENCE**
1. PULL OUT TWO PILES WITHIN THE WIDTH OF THE TUNNEL.
 2. BEGIN EXCAVATION PLACING NEW LAGGING AND SHIMS BETWEEN THE TWO PILES OUTSIDE OF THE TUNNEL.
 3. WELD IN STEEL ANGLE SUPPORTS FOR THE WOOD LAGGING WITHIN THE TUNNEL WIDTH.
 4. PLACE SECTIONS OF PRECAST CONCRETE TUNNEL.
 5. REMOVE WOOD LAGGING AND SHIMS DURING BACKFILL PROCESS.
 6. PULL OUT ALL STEEL PILES.
 7. CONSTRUCT NEW PAVEMENT.



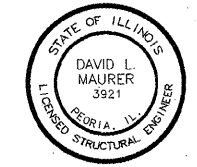
SECTION A-A STAGE I
SCALE 1/4" = 1'-0"



SECTION A-A STAGE II
SCALE 1/4" = 1'-0"



SECTION B-B
SCALE 1/4" = 1'-0"



David L. Maurer
David L. MAURER, P.E.
EXP. DATE 11/2008

NEW SHEET
10/22/08

REVISIONS	
NAME	DATE

ILLINOIS DEPARTMENT OF TRANSPORTATION
TEMPORARY RETAINING WALL DETAILS
CANTON COUNTRY CLUB TUNNEL
SCALE: VERT. 1/4" = 1'-0"
HORIZ. 1/4" = 1'-0"
DATE 12/07/01
DRAWN BY: BMB
CHECKED BY: KEF

PLOT DATE = #DATE#
PLOT NAME = #FILE#
PLOT SCALE = #SCALE#
PLOT USER = #USER#