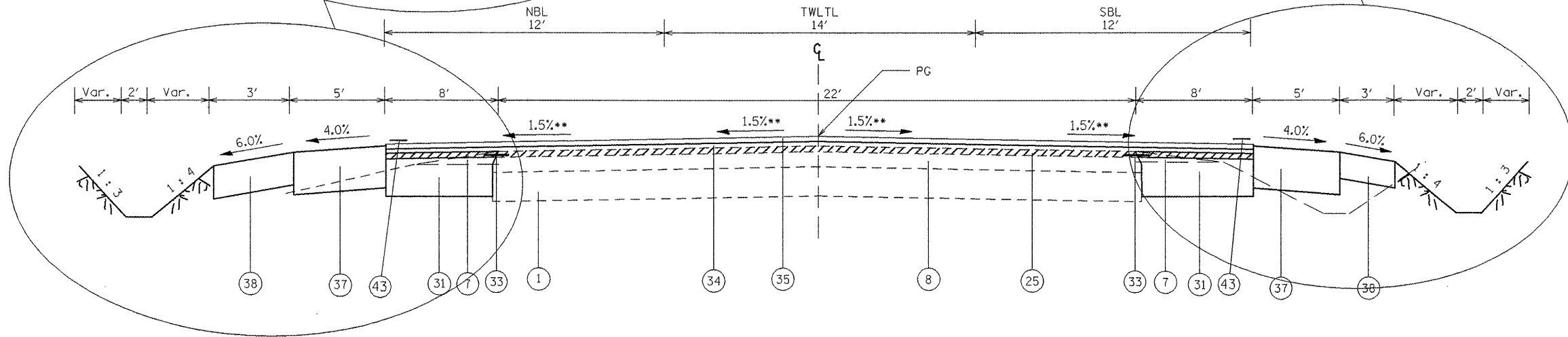
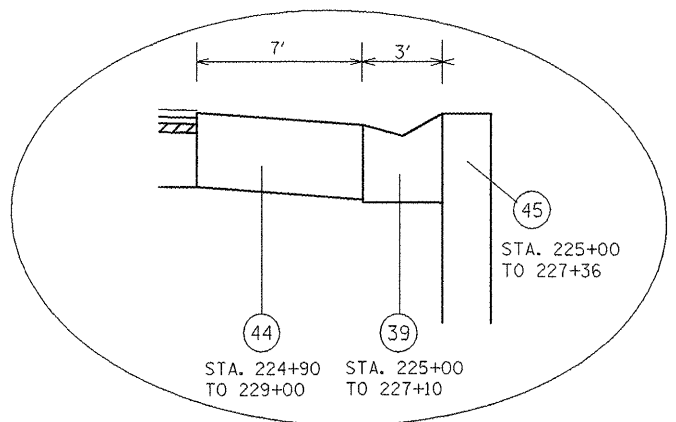
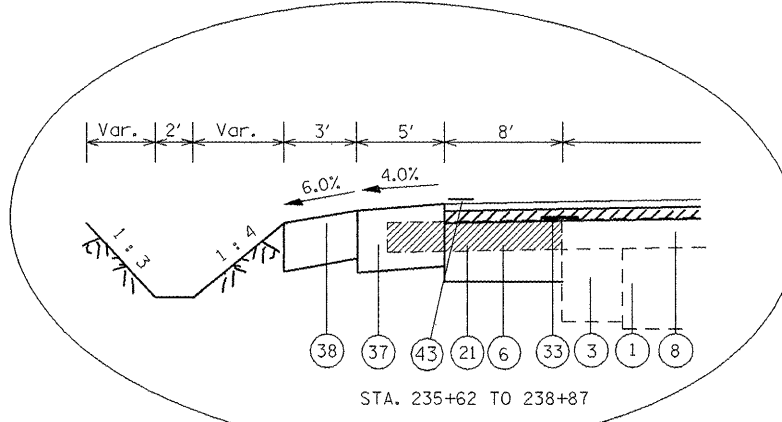


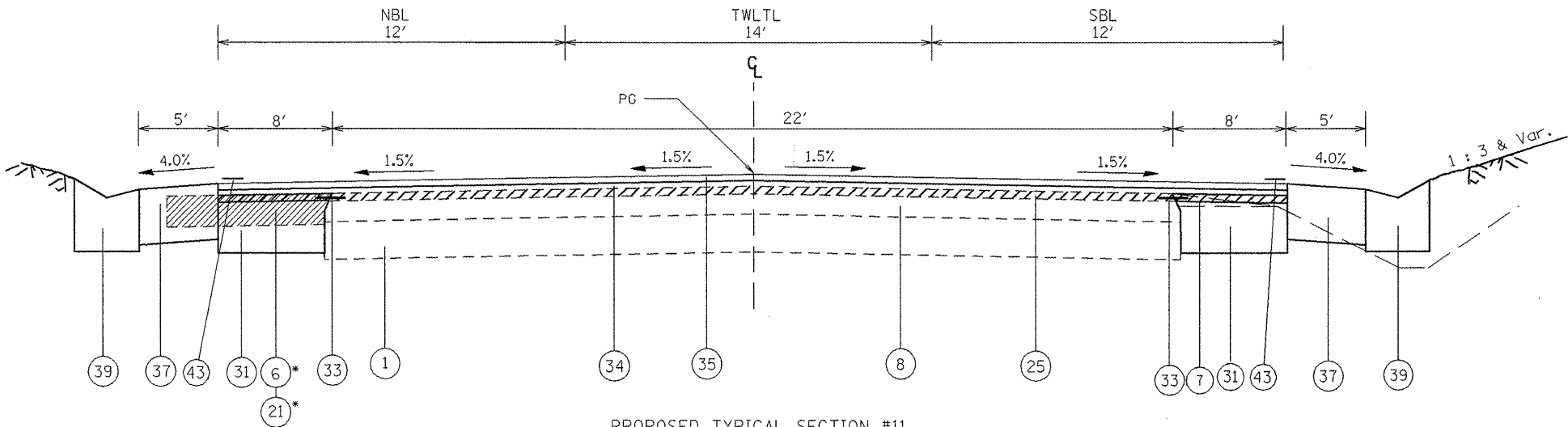
F.A.P. RYE	SECTION	COUNTY	TOTAL SHEETS	SHEET NO.
22	135W-2; RS-5	FULTON	282	18
STA.		TO STA.		
FED. ROAD DIST. NO.		ILLINOIS FED. AID PROJECT		

LEGEND

- ① EXISTING 9" PCC PAVEMENT
- ② EXISTING 8" BITUMINOUS BASE COURSE WIDENING
- ③ EXISTING BASE COURSE WIDENING
- ④ EXISTING CONCRETE CURB AND GUTTER TYPE B-6.12
- ⑤ EXISTING GUTTER, TYPE A
- ⑥ EXISTING BITUMINOUS SHOULDER
- ⑦ EXISTING AGGREGATE SHOULDER, TYPE B
- ⑧ EXISTING BITUMINOUS OVERLAYS
- ⑨ EXISTING PCC SIDEWALK
- ⑩ PROPOSED PAVEMENT REMOVAL
- ⑪ PROPOSED PAVED SHOULDER REMOVAL
- ⑫ PROPOSED GUTTER REMOVAL
- ⑬ PROPOSED COMBINATION CONCRETE CURB AND GUTTER REMOVAL
- ⑭ PROPOSED SIDEWALK REMOVAL
- ⑮ PROPOSED HOT-MIX ASPHALT SURFACE REMOVAL 1/2"
- ⑯ PROPOSED HOT-MIX ASPHALT SURFACE REMOVAL 2"
- ⑰ PROPOSED HOT-MIX ASPHALT SURFACE REMOVAL VARIABLE DEPTH
- ⑱ PROPOSED SUB-BASE GRANULAR MATERIAL TYPE B 12"
- ⑲ PROPOSED GEOTECHNICAL FABRIC FOR GROUND STABILIZATION
- ⑳ PROPOSED HOT-MIX ASPHALT BINDER COURSE, IL-19.0, N50 10 1/2"
- ㉑ PROPOSED HOT-MIX ASPHALT BINDER COURSE, IL-19.0, N50 11"
- ㉒ PROPOSED HOT-MIX ASPHALT BINDER COURSE, IL-19.0, N50 VARIABLE DEPTH
- ㉓ PROPOSED STRIP CRACK CONTROL TREATMENT
- ㉔ PROPOSED POLYMERIZED LEVELING BINDER (MACHINE METHOD), IL-4.75, N50 1"
- ㉕ PROPOSED HOT-MIX ASPHALT SURFACE COURSE, MIX "E", N50 1 1/2"
- ㉖ PROPOSED HOT-MIX ASPHALT SURFACE COURSE, MIX "E", N50 2"
- ㉗ PROPOSED HOT-MIX ASPHALT SHOULDERS 8"
- ㉘ PROPOSED AGGREGATE SHOULDERS, TYPE B 6"
- ㉙ PROPOSED CONCRETE GUTTER, TYPE A (MODIFIED)
- ㉚ PROPOSED COMBINATION CONCRETE CURB AND GUTTER, TYPE B-6.24
- ㉛ PROPOSED PCC SIDEWALK 4"
- ㉜ PROPOSED STORM SEWER
- ㉝ PROPOSED EPOXY PAVEMENT MARKING LINE 4"
- ㉞ PROPOSED HOT-MIX ASPHALT SHOULDERS 13"
- ㉟ PROPOSED MODULAR RETAINING WALL SYSTEM



PROPOSED TYPICAL SECTION #10
 STA 202+82 TO LT STA. 231+63
 RT STA. 232+08
 LT STA. 235+62 TO LT STA. 238+87
 RT STA. 236+03 TO RT STA. 242+16
 ** See superelevation data page 136 & 137



PROPOSED TYPICAL SECTION #11
 LT STA. 231+63 TO LT STA. 234+94
 RT STA. 232+08 TO RT STA. 236+03
 * STA 232+07 TO 235+62

REVISIONS	
NAME	DATE

ILLINOIS DEPARTMENT OF TRANSPORTATION

TYPICAL SECTIONS
 NOT TO SCALE

SCALE: VERT. _____
 HORIZ. _____

DATE _____ DRAWN BY _____
 CHECKED BY _____

PLOT DATE = 8/19/2008
 PLOT NAME = 135W-2; RS-5; 182.0005 / IN.
 PLOT SCALE = 182.0005 / IN.
 USER NAME = hndeltonne