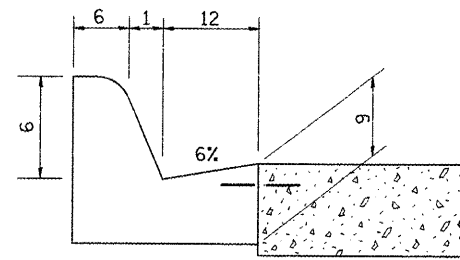
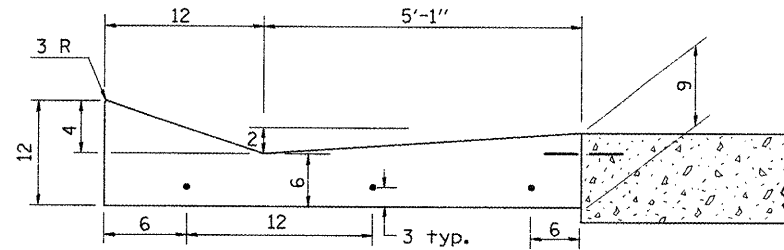


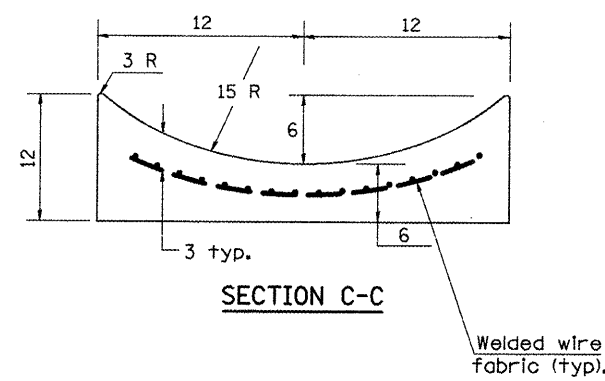
F.A.P. RTE.	SECTION	COUNTY	TOTAL SHEETS	SHEET NO.
22	135W-2+ RS-5	FULTON	282	144
STA.		TO STA.		
FED. ROAD DIST. NO.		ILLINOIS FED. AID PROJECT		



SECTION A-A

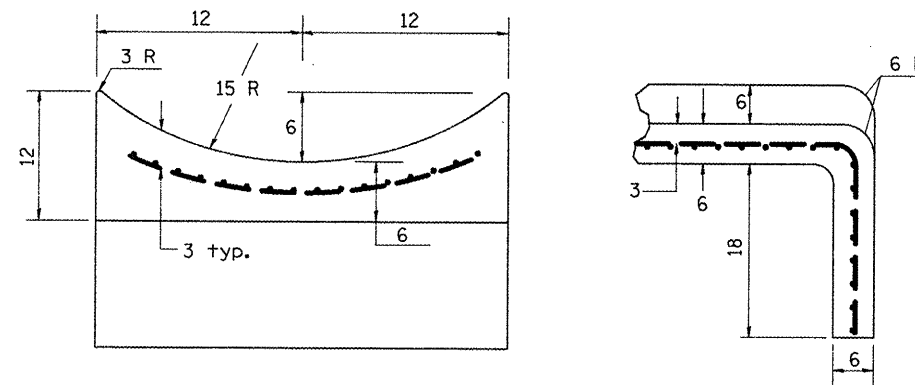
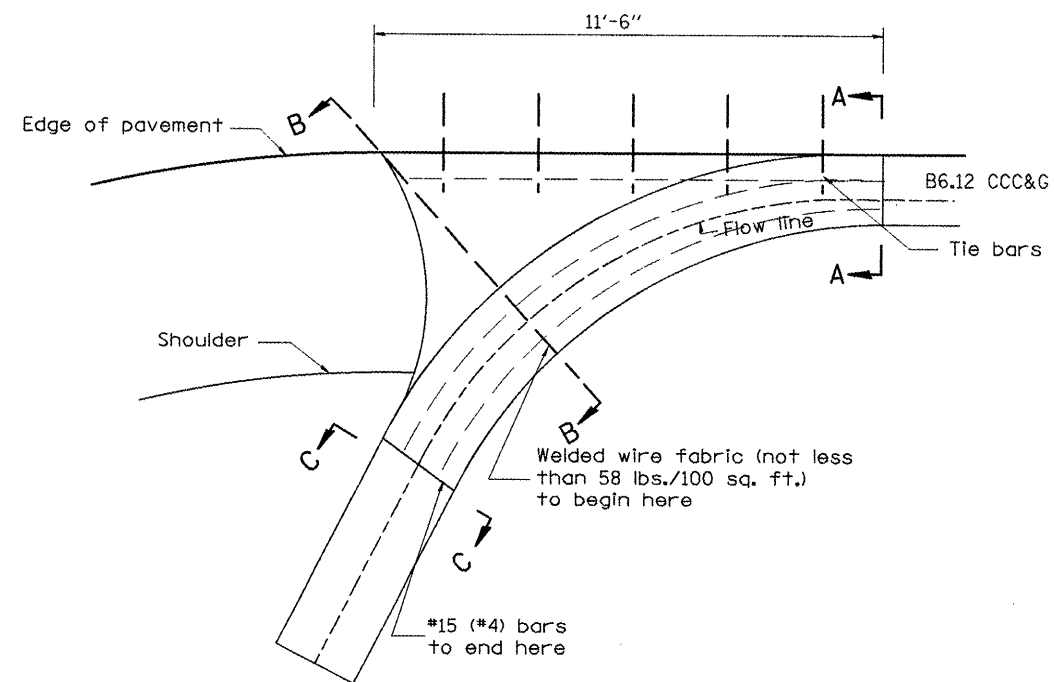


SECTION B-B



SECTION C-C

Welded wire fabric (typ.)



SECTIONS AT END OF OUTLET  
(CURTAIN WALL)

All dimensions are in inches unless otherwise noted.

REVISIONS	
NAME	DATE

ILLINOIS DEPARTMENT OF TRANSPORTATION  
**CCC&G Outlet Detail**  
**RT Sta 242+21**  
**(not to scale)**

SCALE: VERT.  
 HORIZ.  
 DATE

DRAWN BY  
 CHECKED BY