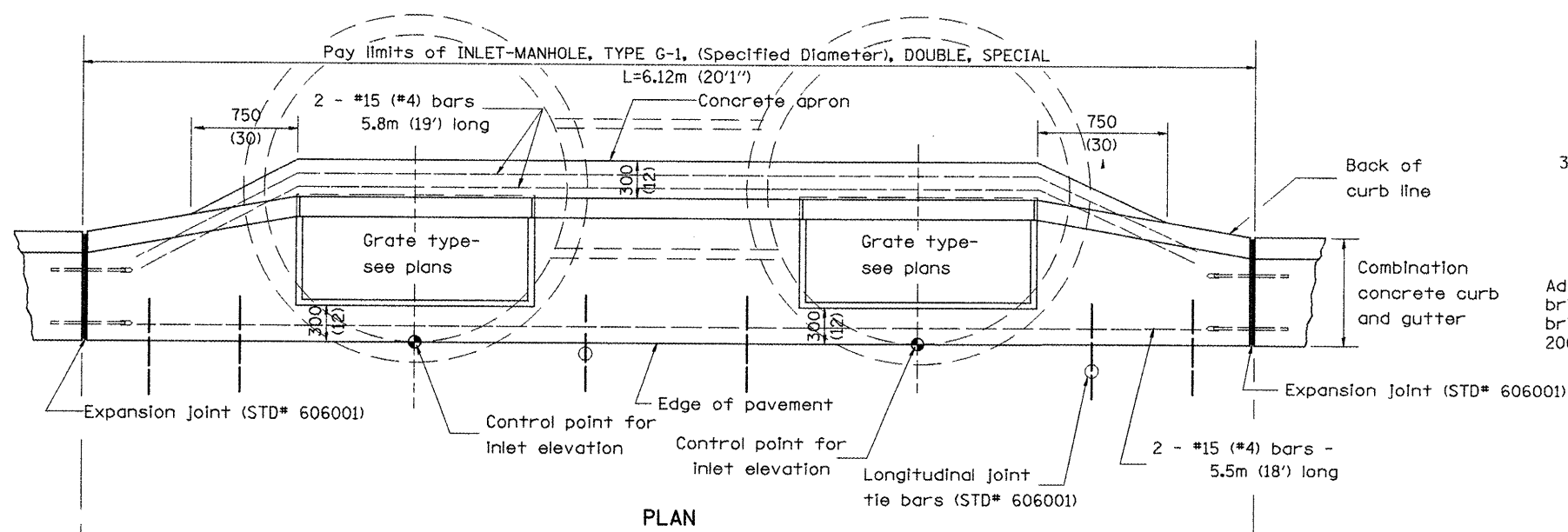
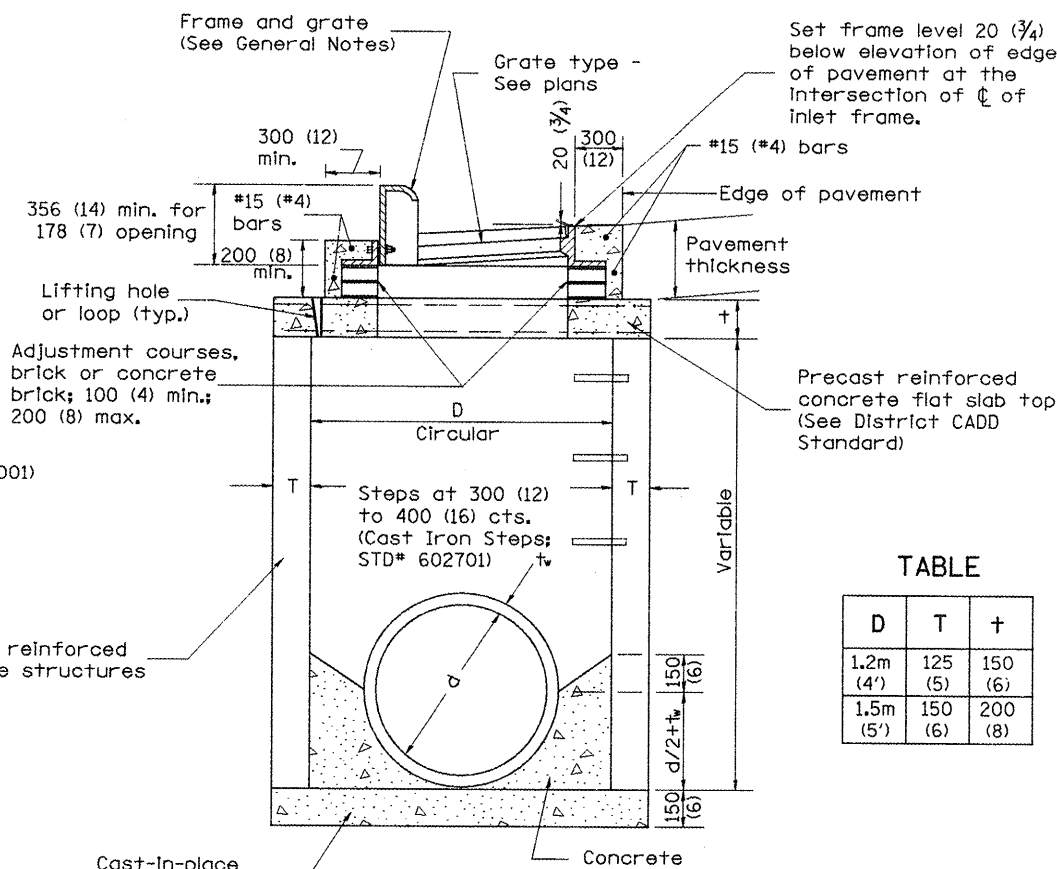


| | | | | |
|---------------------|--------------|---------------------------|--------------|-----------|
| F.A.P. RTE. | SECTION | COUNTY | TOTAL SHEETS | SHEET NO. |
| 22 | 135W-2+ RS-5 | FULTON | 282 | 145 |
| STA. | | TO STA. | | |
| FED. ROAD DIST. NO. | | ILLINOIS FED. AID PROJECT | | |



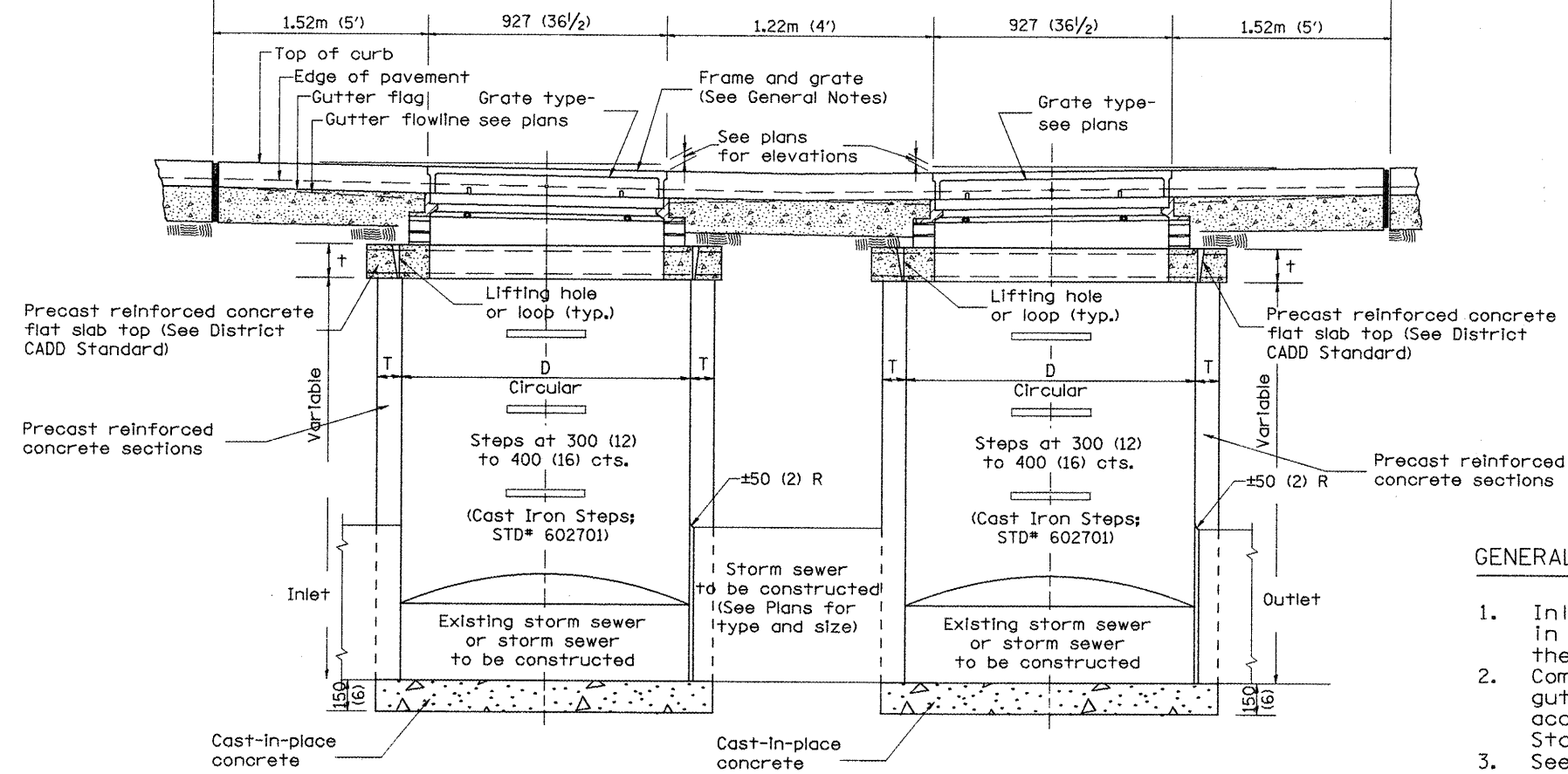
PLAN



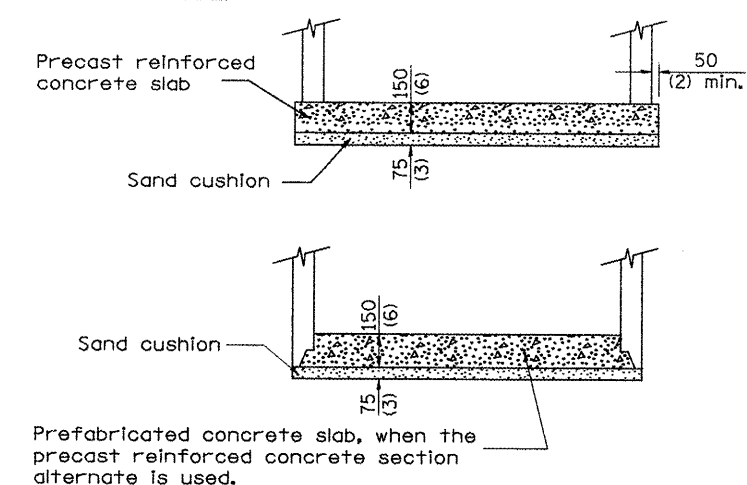
ELEVATION (SIDE)

TABLE

| D | T | t |
|-----------|---------|---------|
| 1.2m (4') | 125 (5) | 150 (6) |
| 1.5m (5') | 150 (6) | 200 (8) |



FRONT ELEVATION



ALTERNATE BOTTOM SLAB

GENERAL NOTES

1. Inlet-manhole construction shall be in accordance with Section 602 of the Standard Specifications.
2. Combination concrete curb and gutter shall be constructed in accordance with Section 606 of the Standard Specifications.
3. See District CADD Standard 604001-D4 for frame and grates.
4. See District CADD Standard for precast reinforced concrete flat slab top.

All dimensions are in millimeters (inches) unless otherwise noted.

Inlet-Manhole, Type G-1 Double, Special

SCALE NOT TO SCALE

DRAWN BY CADD CHECKED BY

\$\$\$DATE\$\$\$