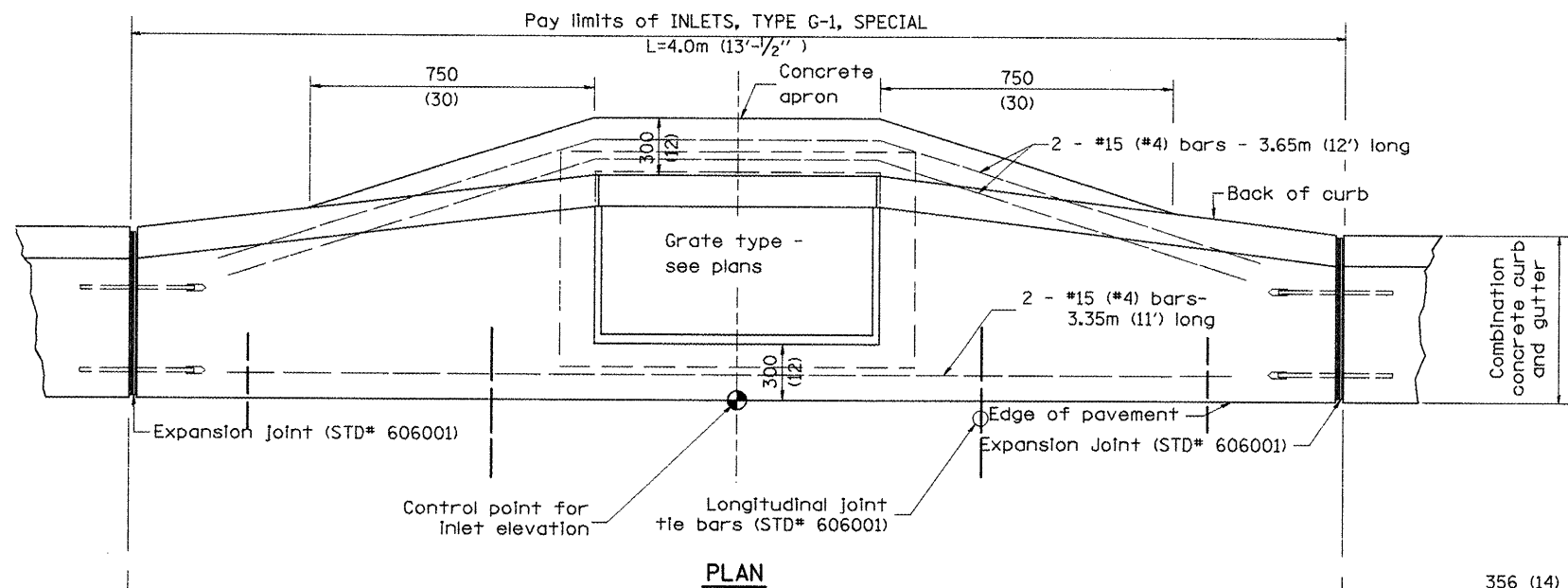
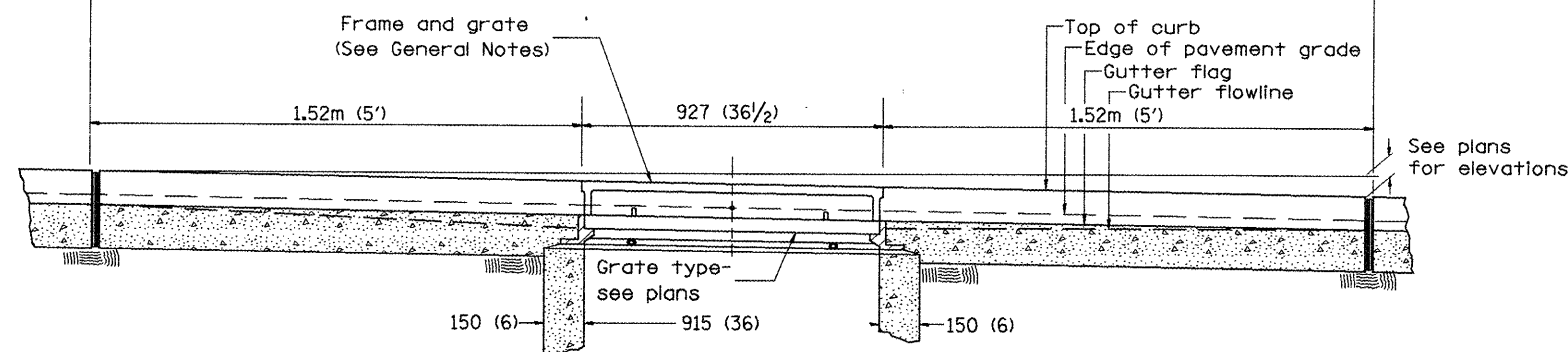


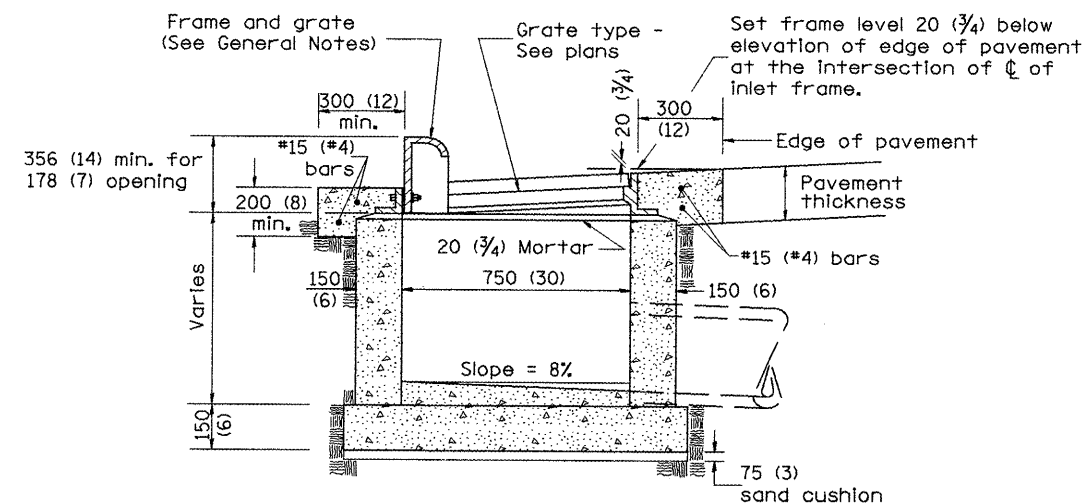
F.A.P. RATE	SECTION	COUNTY	TOTAL SHEETS	SHEET NO.
22	135W-2; RS-5	FULTON	282	170
STA.		TO STA.		
FED. ROAD DIST. NO.	ILLINOIS	FED. AID PROJECT		



PLAN



ELEVATION (FRONT)



ELEVATION (SIDE)

GENERAL NOTES

1. Inlet construction shall be in accordance with Section 602 of the Standard Specifications.
2. Combination Concrete Curb and Gutter shall be constructed in accordance with Section 606 of the Standard Specifications.
3. See District CADD Standard 604001-D4 for frame and grates.

All dimensions are in millimeters (inches) unless otherwise noted.

ILLINOIS DEPARTMENT OF TRANSPORTATION	
DISTRICT CADD STANDARD	
INLETS, TYPE G-1, SPECIAL	
CADD STANDARD 602006-D4	DRAWN BY CADD
SCALE NOT TO SCALE	CHECKED BY

DATE	REVISIONS	BY
1-1-97	RENUM. B-4.02, NEW REVISION BOX	
12-1-98	CORRECT E. O. P. NOTE	J.A.
10-99	REVISION TO GENERAL NOTES	J.A.

\$\$\$DATE\$\$\$