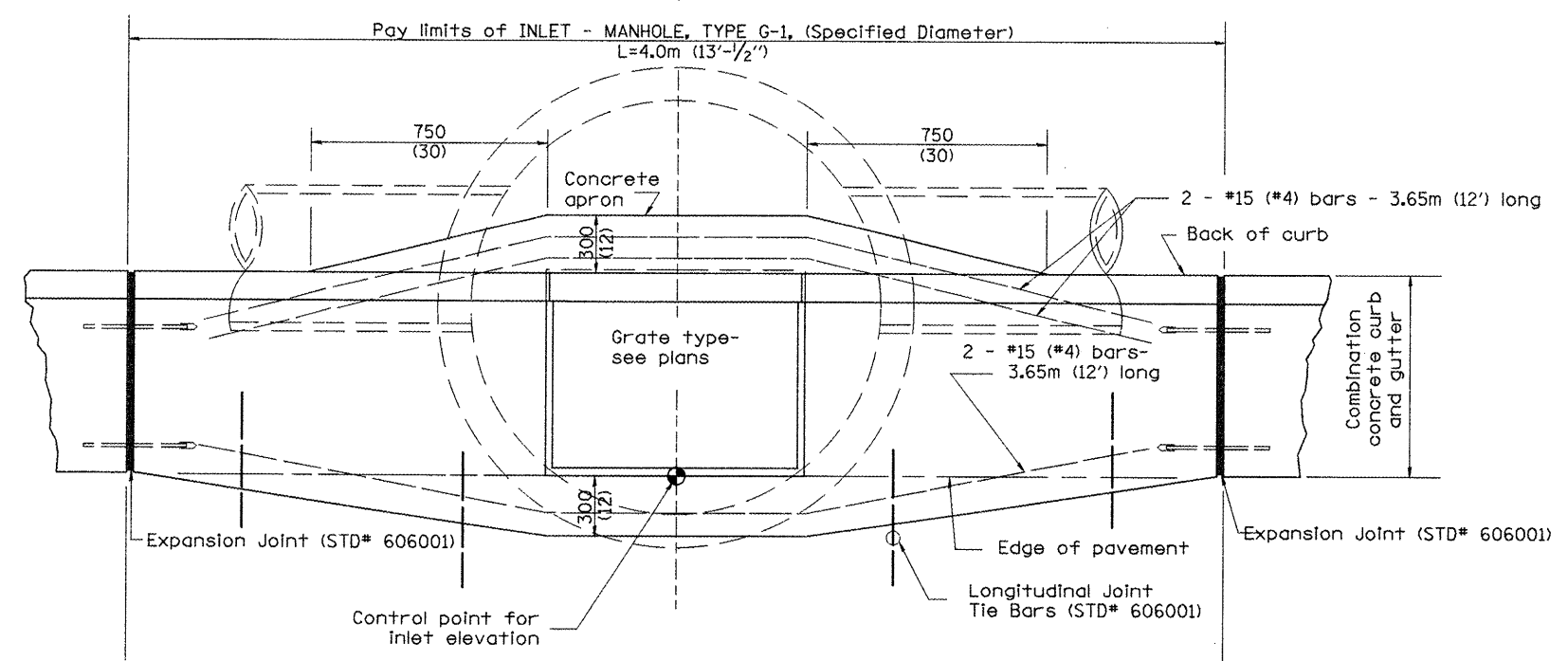
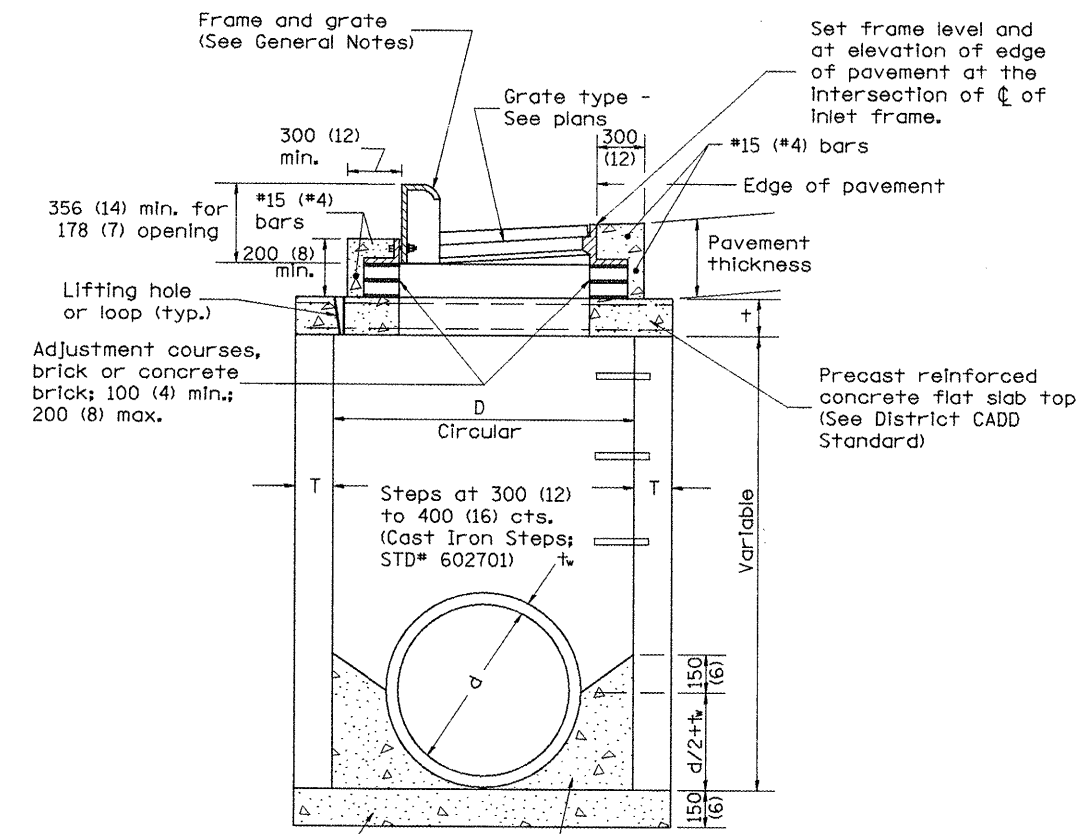


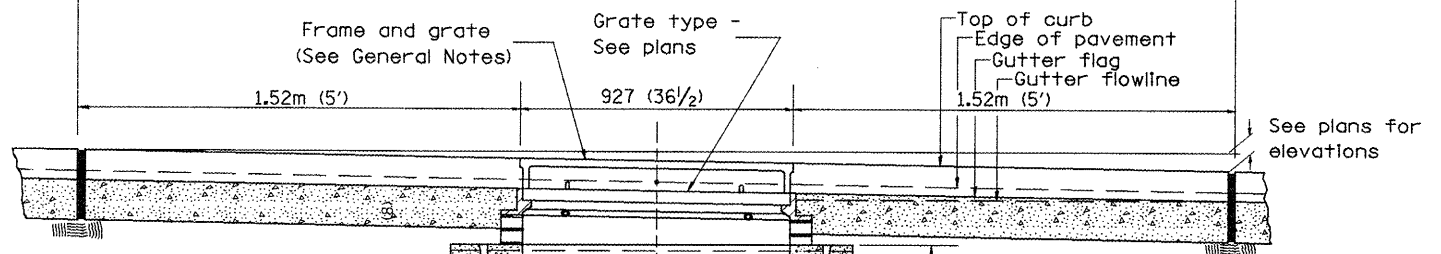
| F.A.P. RTE. | SECTION | COUNTY | TOTAL SHEETS | SHEET NO. |
|---------------------|--------------|---------------------------|--------------|-----------|
| 22 | 135W-2; RS-5 | FULTON | 282 | 173 |
| STA. | | TO STA. | | |
| FED. ROAD DIST. NO. | | ILLINOIS FED. AID PROJECT | | |



PLAN



ELEVATION (SIDE)



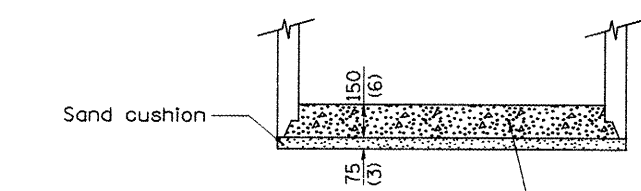
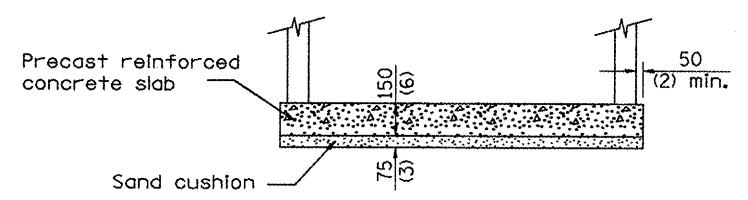
ELEVATION (FRONT)

TABLE

| D | T | + |
|-----------|-------------|----------|
| 1.2m (4') | 125 (5) | 150 (6) |
| 1.5m (5') | 150 (6) | 200 (8) |
| 1.8m (6') | 195 (7 3/4) | 200 (8) |
| 2.4m (8') | 225 (9) | 250 (10) |

GENERAL NOTES

- Inlet-manhole construction shall be in accordance with Section 602 of the Standard Specifications.
- Combination concrete curb and gutter shall be constructed in accordance with Section 606 of the Standard Specifications.
- See District CADD Standard 604001-D4 for frame and grates.
- See District CADD Standard for precast reinforced concrete flat slab top.



ALTERNATE BOTTOM SLAB

All dimensions are in millimeters (Inches) unless otherwise noted.

ILLINOIS DEPARTMENT OF TRANSPORTATION
 DISTRICT CADD STANDARD
INLET-MANHOLE, TYPE G-1
 CADD STANDARD 602021-D4
 SCALE NOT TO SCALE
 DRAWN BY CADD
 CHECKED BY

| DATE | REVISIONS | BY |
|--------|---------------------------------|------|
| 1-1-97 | RENUM. B-4.05, NEW REVISION BOX | |
| 10-99 | REVISION TO GENERAL NOTES | J.A. |
| 2-00 | REVISION TO DESIGNER NOTES | J.A. |
| | | |
| | | |
| | | |

\$\$\$DATE\$\$\$