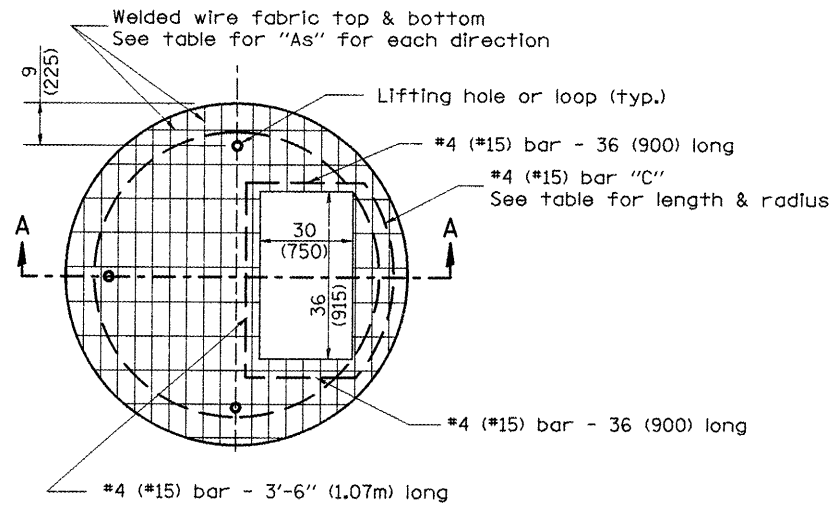
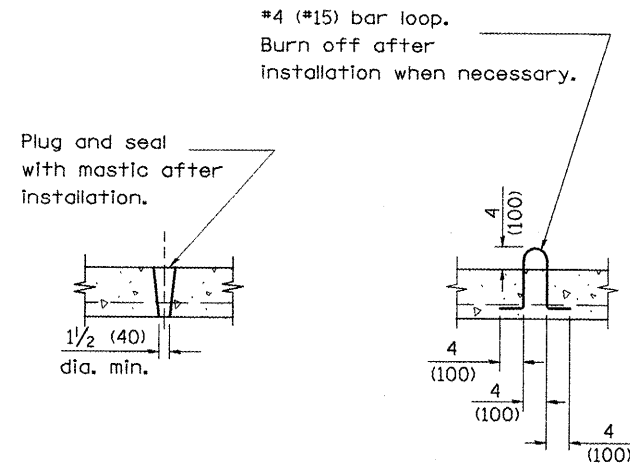


F.A.P. RYE	SECTION	COUNTY	TOTAL SHEETS	SHEET NO.	
22	135W-2	RS-5	FULTON	282	174
STA.		TO STA.			
FED. ROAD DIST. NO.		ILLINOIS	FED. AID PROJECT		

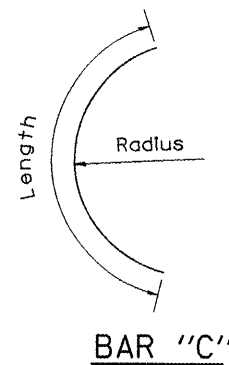


PLAN



LIFTING HOLE OR LIFTING LOOP
TYPICAL

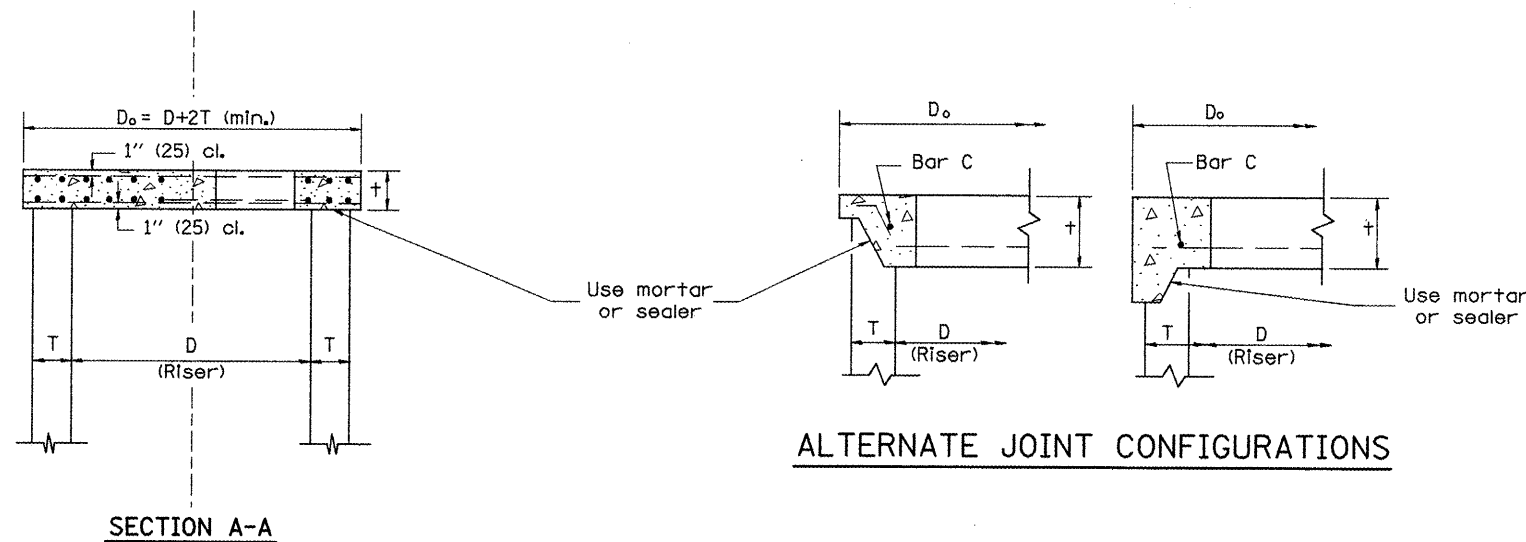
(3 required per slab)



BAR "C"

TABLE

D	T	D _o (min.)	t	Reinforcement "A _s " W.W.F. each direction	Bar size	No. 15 (No. 4) Bar C Length Radius
4' (1.2m)	5 (125)	4'-10" (1.5m)	6 (150)	0.70 sq. inch/in. ft. (1480mm ² /m)	No. 15 (No. 5)	1.35m (4'-6") (26)
5' (1.5m)	6 (150)	6'-0" (1.8m)	8 (200)	0.70 sq. inch/in. ft. (1480mm ² /m)	No. 15 (No. 5)	1.5m (5'-0") (32)
6' (1.8m)	7 3/4 (195)	7'-3 1/2" (2.2m)	8 (200)	0.88 sq. inch/in. ft. (1860mm ² /m)	No. 20 (No. 6)	1.8m (6'-0") (38)
8' (2.4m)	9 (225)	9'-6" (2.9m)	10 (250)	0.88 sq. inch/in. ft. (1860mm ² /m)	No. 20 (No. 6)	2.3m (7'-6") (4'-2")



ALTERNATE JOINT CONFIGURATIONS

GENERAL NOTES

- The precast reinforced concrete flat slab top shall be used with INLET-MANHOLE, TYPE G-1 and INLET-MANHOLE, TYPE G-1, SPECIAL.
- Joint configuration and dimensions of flat slab top shall match and fit the riser joint detail.
- Lifting devices shall be approved by the Engineer.

All dimensions are in inches (millimeters) unless otherwise noted.

ILLINOIS DEPARTMENT OF TRANSPORTATION	
DISTRICT CADD STANDARD	
PRECAST REINFORCED CONCRETE FLAT SLAB TOP FOR INLET-MANHOLE, TYPE G-1 AND TYPE G-1, SPECIAL	
CADD STANDARD 602101-D4	DRAWN BY CADD CHECKED BY
SCALE NOT TO SCALE	

DATE	REVISIONS	BY
1-1-97	RENUM. B-4.07, NEW REVISION BOX	T.P.
10-16-06	REVISED TO 2007 SPEC.	M.A.

\$\$\$DATE\$\$\$