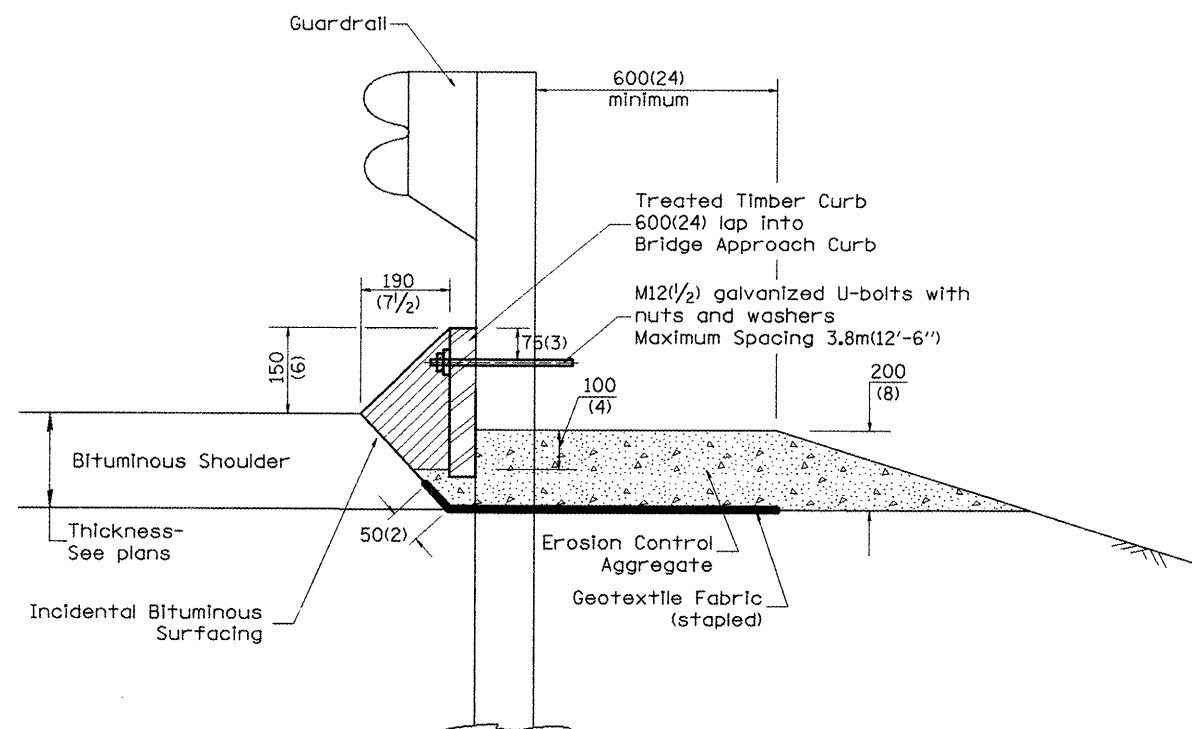
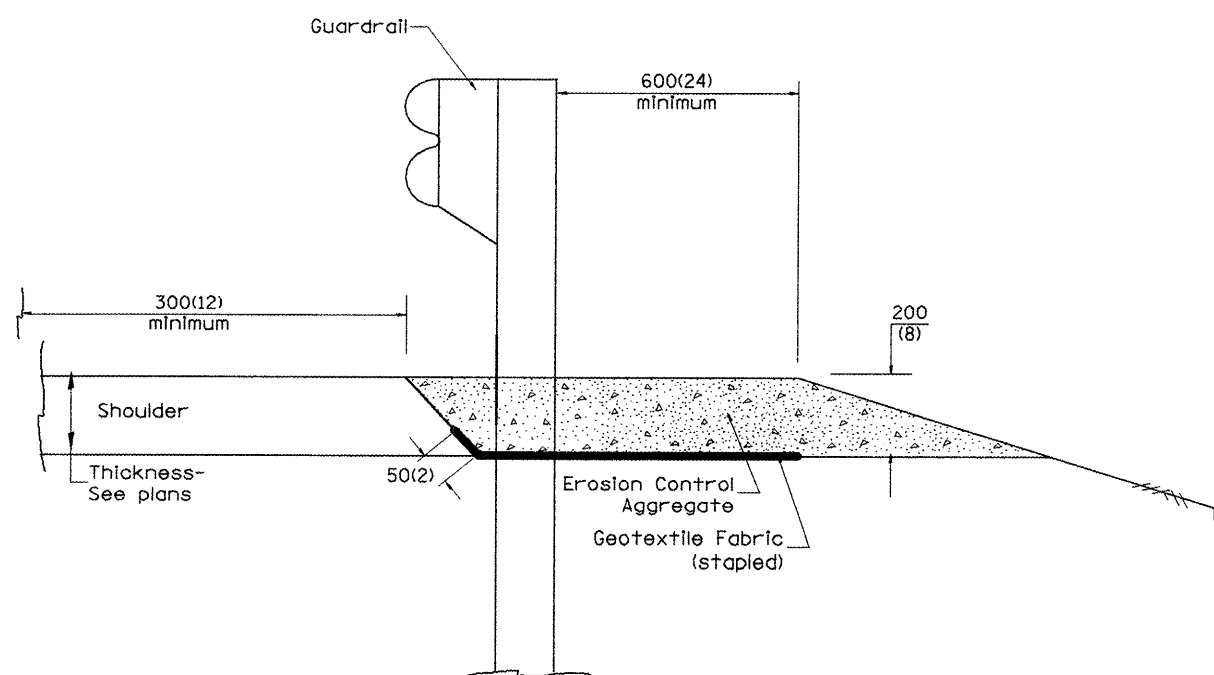


F.A.P. RTE.	SECTION	COUNTY	TOTAL SHEETS	SHEET NO.
22	135W-2, RS-5	FULTON	282	184
STA.		TO STA.		
FED. ROAD DIST. NO.	ILLINOIS	FED. AID PROJECT		



TYPICAL SECTION WITH EROSION CONTROL CURB



TYPICAL SECTION WITHOUT EROSION CONTROL CURB

All dimensions are in millimeters (Inches) unless otherwise noted.

ILLINOIS DEPARTMENT OF TRANSPORTATION
DISTRICT CADD STANDARD

DATE	REVISIONS	BY
1-1-97	RENUM. C-22.01, NEW REVISION BOX	T.P.
3-1-97	CORRECT STD. NUMBERS IN NOTES PG. 2	J.A.
11-3-00	CORRECTION TO NOTES	M.A.

GUARDRAIL EROSION CONTROL TREATMENTS

CADD STD NO. 630101-D4(1)
SCALE: NOT DRAWN TO SCALE

SHEET 1 OF 2
DRAWN BY CADD
CHECKED BY

630101-D4(1)

\$\$\$DATE\$\$\$

DGN-ONLY