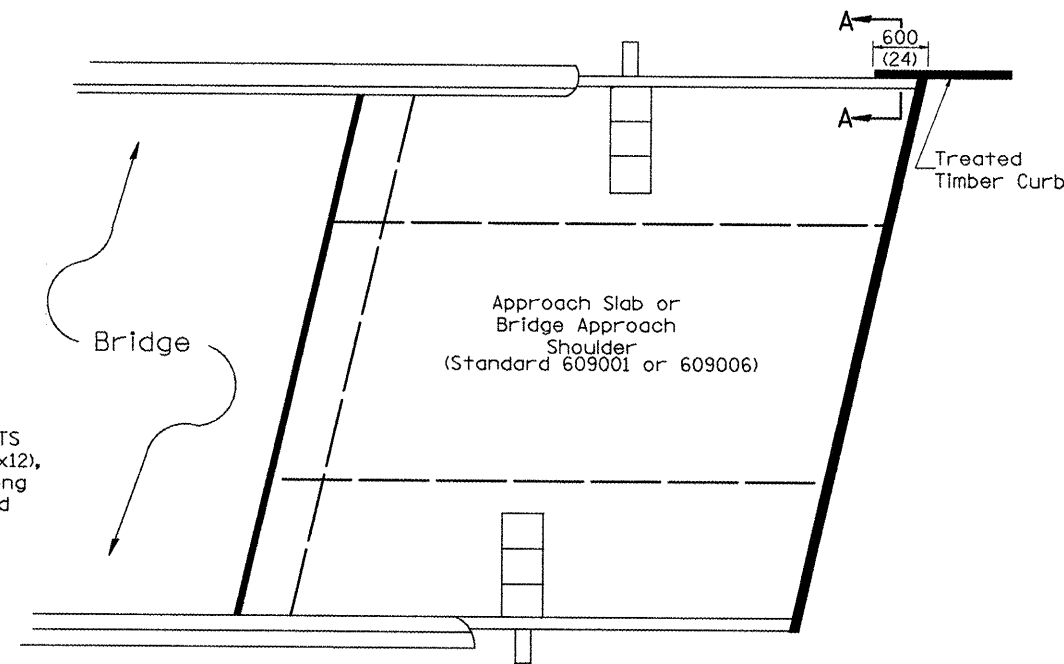
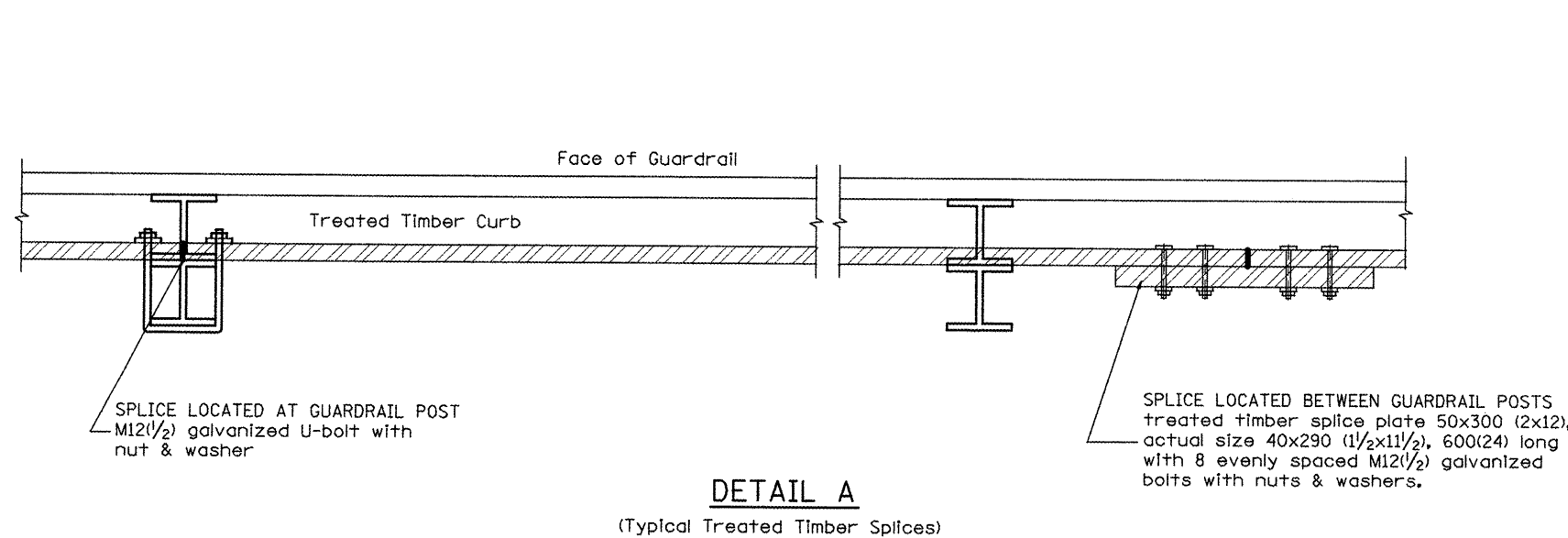
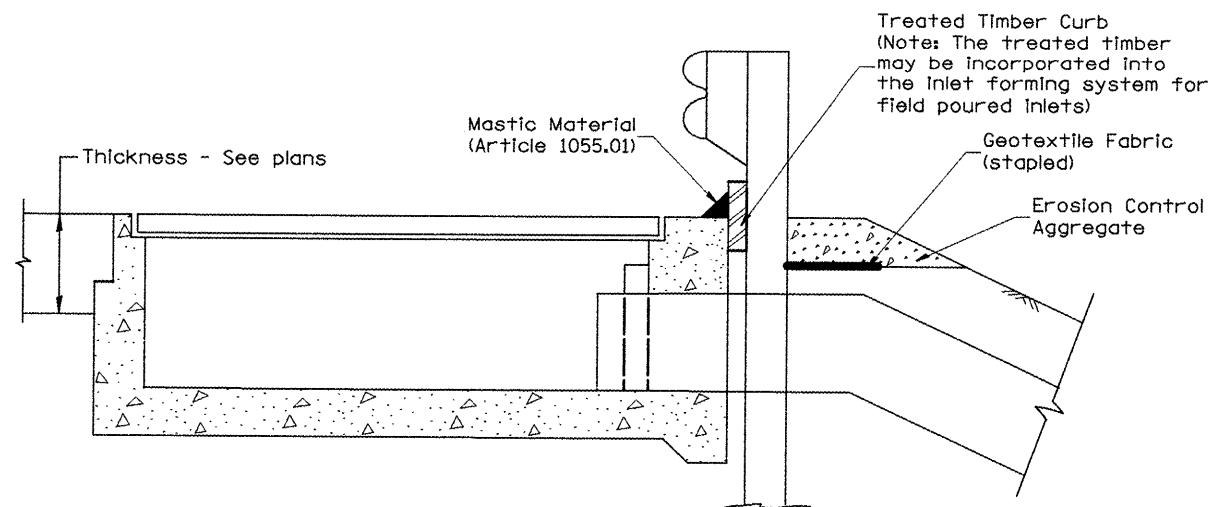


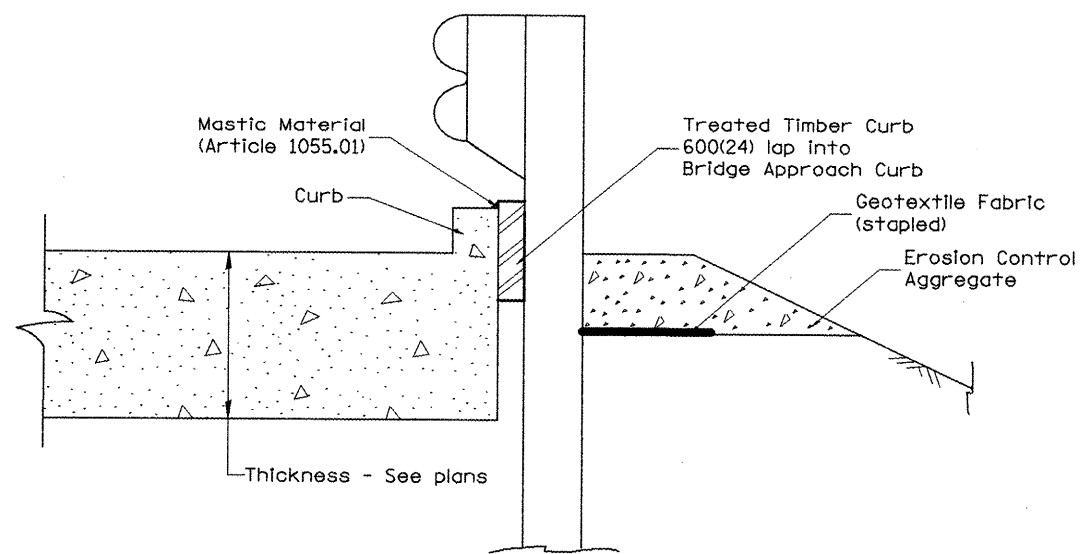
| F.A.P. RTE. | SECTION | COUNTY | TOTAL SHEETS | SHEET NO. |
|---------------------|--------------|---------------------------|--------------|-----------|
| 22 | 135W-2; RS-5 | FULTON | 282 | 185 |
| STA. | | TO STA. | | |
| FED. ROAD DIST. NO. | | ILLINOIS FED. AID PROJECT | | |



PLAN VIEW
 APPROACH SLAB OR BRIDGE APPROACH SHOULDER
 (STANDARD 609001 or 609006)



TYPICAL SECTION WITH EROSION CONTROL CURB
 AT INLETS TYPE E & F (STANDARD 610001)



SECTION A-A
 TYPICAL SECTION WITH EROSION CONTROL CURB
 AT BRIDGE APPROACH CURB
 (STANDARD 609001 OR 609006)

All dimensions are in millimeters
 (inches) unless otherwise noted.

| | |
|---------------------------------------|---------------|
| ILLINOIS DEPARTMENT OF TRANSPORTATION | |
| DISTRICT CADD STANDARD | |
| GUARDRAIL EROSION CONTROL TREATMENTS | |
| CADD STD NO. 630101-D4(2) | SHEET 2 OF 2 |
| SCALE: NOT DRAWN TO SCALE | DRAWN BY CADD |
| | CHECKED BY |