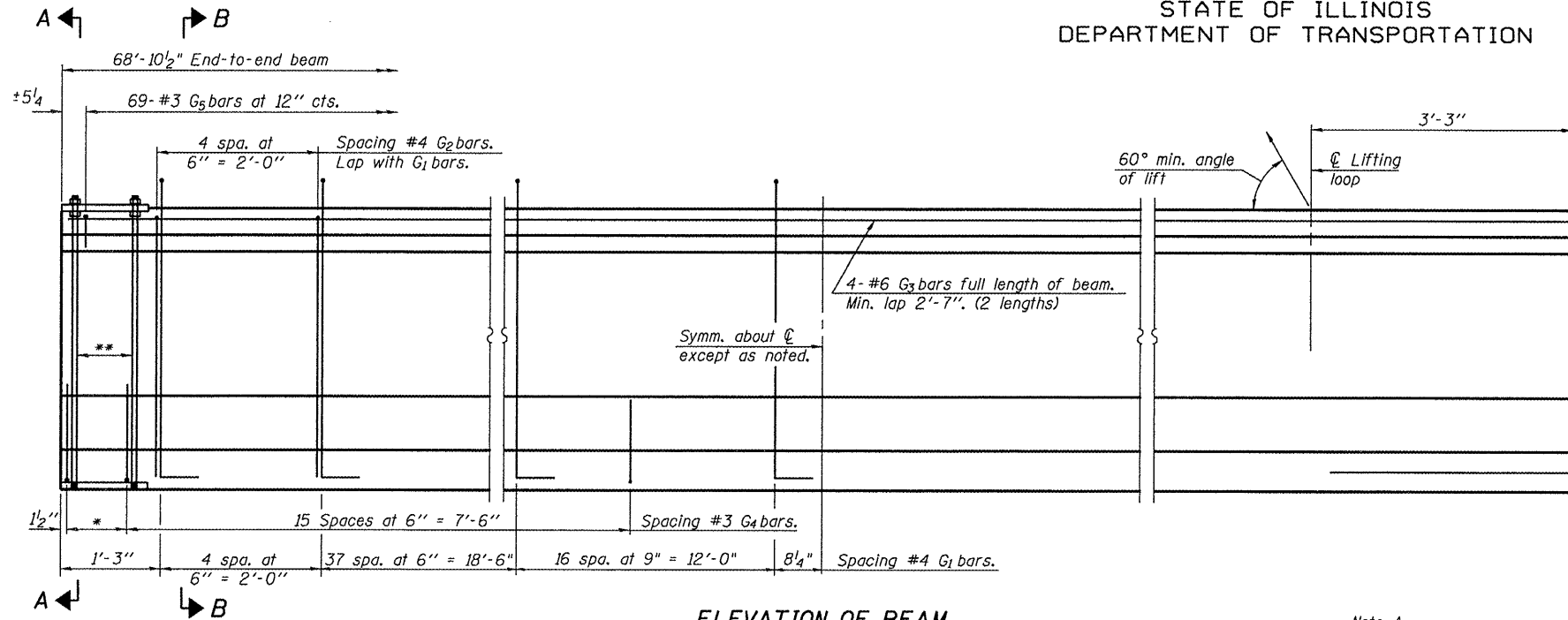


STATE OF ILLINOIS
DEPARTMENT OF TRANSPORTATION

ROUTE NO.	SECTION	COUNTY	SHEETS	SHEET NO.
F.A.P. 645	*	Marshall	71 32	14
SHEET NO. 14 23 SHEETS				

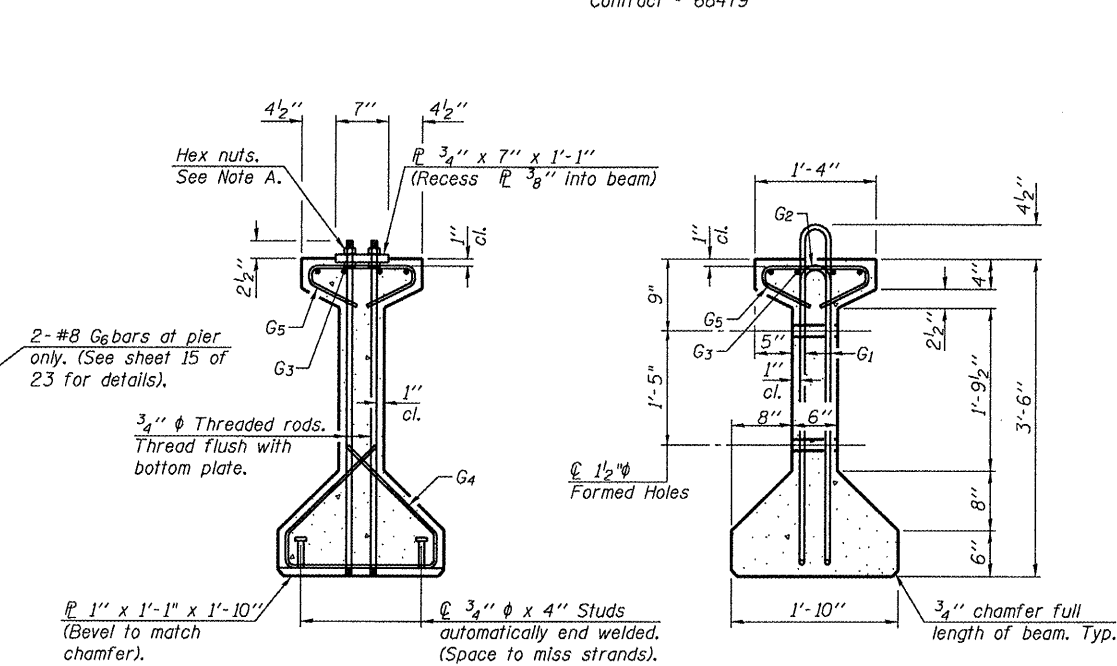
*(105BR)BR
Contract - 68479



ELEVATION OF BEAM
(Showing reinforcement & dimensions)

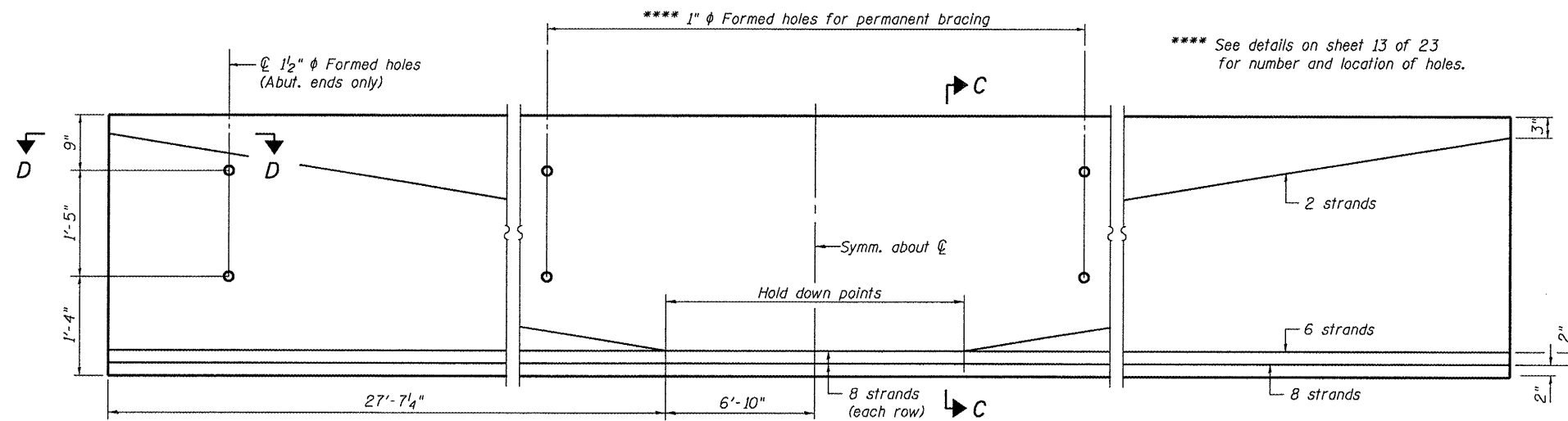
*3 spaces at 3" = 9".
**4-3/4" ϕ threaded dowel rods at 3" cts., Each Face.

Note A:
Hex nuts (top and bottom) with lock washers (top). Only tighten sufficiently to compress lock washers.



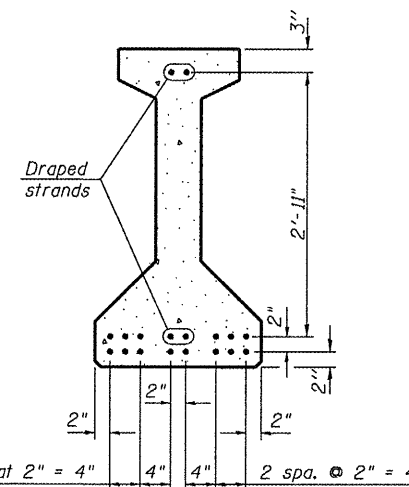
SECTION A-A

SECTION B-B



ELEVATION OF BEAM
(Showing prestressing steel)

**** See details on sheet 13 of 23 for number and location of holes.



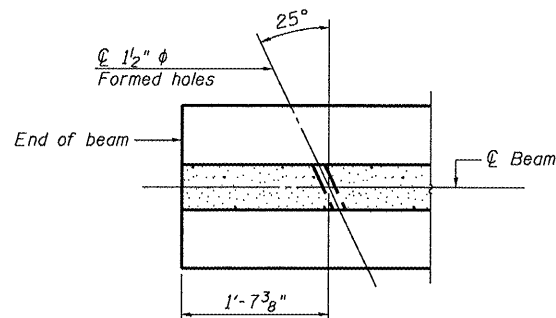
SECTION C-C

*****BAR LIST
ONE BEAM ONLY**

Bar	No.	Size	Length	Shape
G1	117	#4	8'-5"	⌈
G2	10	#4	6'-8"	⌈
G3	8	#6	35'-9"	⌈
G4	38	#3	4'-11"	⌈
G5	69	#3	2'-6"	⌈
G6	2	#8	3'-9"	⌈

***For information only

Notes:
See sheet 15 of 23 for additional details and Bill of Material.
Required release strength, f'_{ci} , shall be 5000 psi.



SECTION D-D

DESIGNED	CEH
CHECKED	CWC
DRAWN	DLH
CHECKED	CEH / CWC

WHKS & CO.
ENGINEERS PLANNERS LAND SURVEYORS
MASON CITY, IOWA DUBUQUE, IOWA AMES, IOWA
E. DUBUQUE, ILLINOIS SPRINGFIELD, ILLINOIS ROCHESTER, MINNESOTA

PI-4-42

9-3-07

42" PPC I-BEAM
IL ROUTE 17 OVER SENACHWINE CREEK
FAP ROUTE 645 - SECTION (105BR)BR
MARSHALL COUNTY
STATION 334+90.00
STRUCTURE NO. 062-0072

Operator: dnebearing

Date: 8/26/2008

Filename: L:\Jobs\IDOT BBS\6956 BBS Various\Various\03\CADD_S\Struct\062-0072_4-18-08.dgn