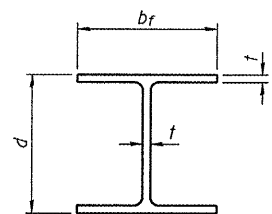


STATE OF ILLINOIS  
DEPARTMENT OF TRANSPORTATION

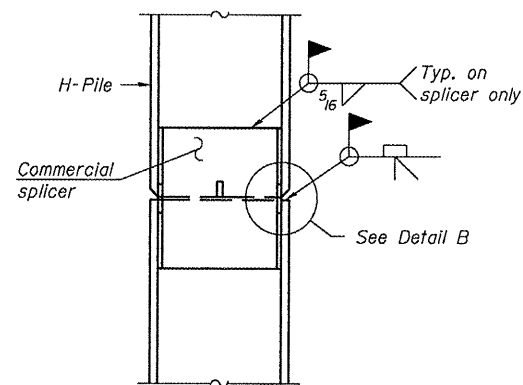
ROUTE NO.	SECTION	COUNTY	TOTAL SHEETS	SHEET NO.
F.A.P. 645	*	Marshall	71	33
SHEET NO. 20				
23 SHEETS				

\*(105BR)BR  
Contract - 68479

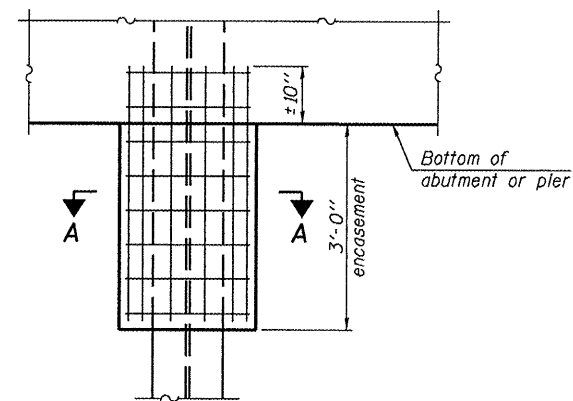


STEEL PILE TABLE

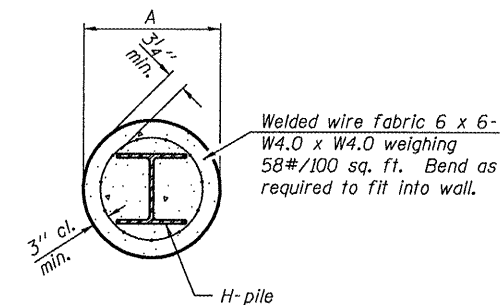
Designation	Depth d	Flange width b <sub>f</sub>	Web and Flange thickness t	Encasement diameter A
HP 14x117	14 1/4"	14 7/8"	13/16"	30"
x102	14"	14 3/4"	1/16"	30"
x89	13 7/8"	14 3/4"	5/8"	30"
x73	13 5/8"	14 5/8"	1/2"	30"
HP 12x84	12 1/4"	12 1/4"	1/16"	24"
x74	12 1/8"	12 1/4"	5/8"	24"
x63	12"	12 1/8"	1/2"	24"
x53	11 3/4"	12"	7/16"	24"
HP 10x57	10"	10 1/4"	9/16"	24"
x42	9 3/4"	10 1/8"	7/16"	24"
HP 8x36	8"	8 1/8"	7/16"	18"



ELEVATION



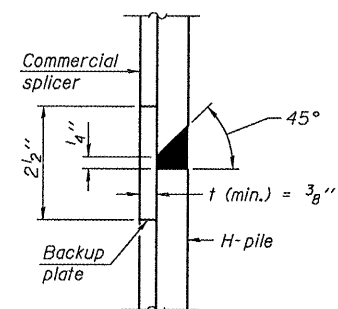
ELEVATION



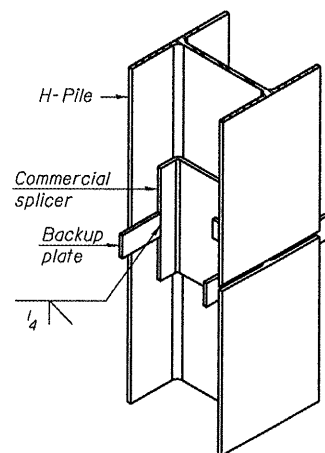
SECTION A-A

Note:  
Forms for encasement may be omitted when soil conditions permit.

PILE ENCASUREMENT

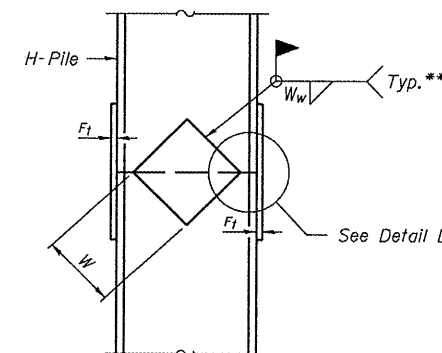


DETAIL "B"

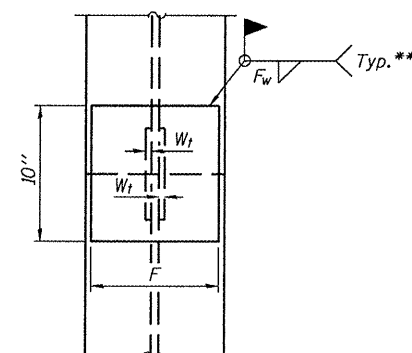


ISOMETRIC VIEW

WELDED COMMERCIAL SPLICE



ELEVATION

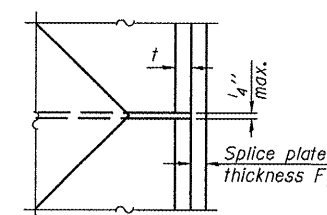


END VIEW

Designation	F	F <sub>t</sub>	F <sub>w</sub>	W	W <sub>t</sub>	W <sub>w</sub>
HP 14x117	12 1/2"	1"	7/8"	7 3/4"	5 1/8"	1/2"
x102	12 1/2"	7/8"	3/4"	7 3/4"	5 1/8"	1/2"
x89	12 1/2"	3/4"	11/16"	7 3/4"	5 1/8"	1/2"
x73	12 1/2"	5/8"	9/16"	7 3/4"	5 1/8"	1/2"
HP 12x84	10"	7/8"	1/16"	6 1/2"	5 1/8"	1/2"
x74	10"	7/8"	1/16"	6 1/2"	5 1/8"	1/2"
x63	10"	5/8"	1/2"	6 1/2"	1/2"	3/8"
x53	10"	5/8"	1/2"	6 1/2"	1/2"	3/8"
HP 10x57	8"	3/4"	9/16"	5 1/4"	1/2"	3/8"
x42	8"	5/8"	9/16"	5 1/4"	1/2"	3/8"
HP 8x36	7"	5/8"	7/16"	4 1/4"	1/2"	3/8"

PILE DETAILS

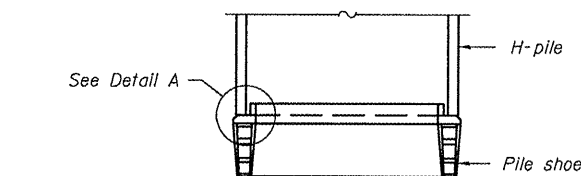
IL ROUTE 17 OVER SENACHWINE CREEK  
FAP ROUTE 645 - SECTION (105BR)BR  
MARSHALL COUNTY  
STATION 334+90.00  
STRUCTURE NO. 062-0072



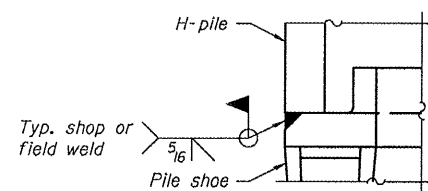
DETAIL D

WELDED PLATE FIELD SPLICE

Note:  
The steel H-piles shall be according to AASHTO M270 Grade 50.

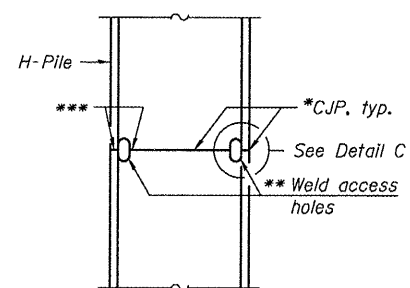


ELEVATION

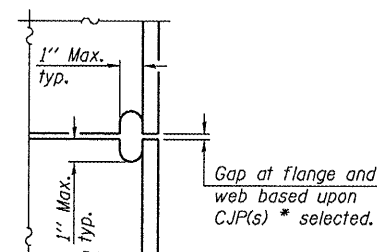


DETAIL A

H-PILE SHOE ATTACHMENT



ELEVATION



DETAIL C

COMPLETE PENETRATION WELD SPLICE

- \* Use joint conforming to Figure 3.4 in AWS D1.1, Structure Welding Code - Steel.
- \*\* Preparation per Fig. 5.2 in AWS D1.1, Structure Welding Code - Steel.
- \*\*\* Interrupt welds 1/4" from end of each pile.

Operator: dtheberling

Date: 8/28/2008

Filename: L:\Jobs\DOT\_BBS\6966 BBS Various\Various\03\CADD\_Struct\062-0072 4-18-08.dgn

DESIGNED	CEH
CHECKED	CWC
DRAWN	DLH
CHECKED	CEH / CWC

**WHKS & CO.**  
ENGINEERS PLANNERS LAND SURVEYORS  
MASON CITY, IOWA DUBUQUE, IOWA AMES, IOWA  
E. DUBUQUE, ILLINOIS SPRINGFIELD, ILLINOIS ROCHESTER, MINNESOTA

F-HP

9-3-07