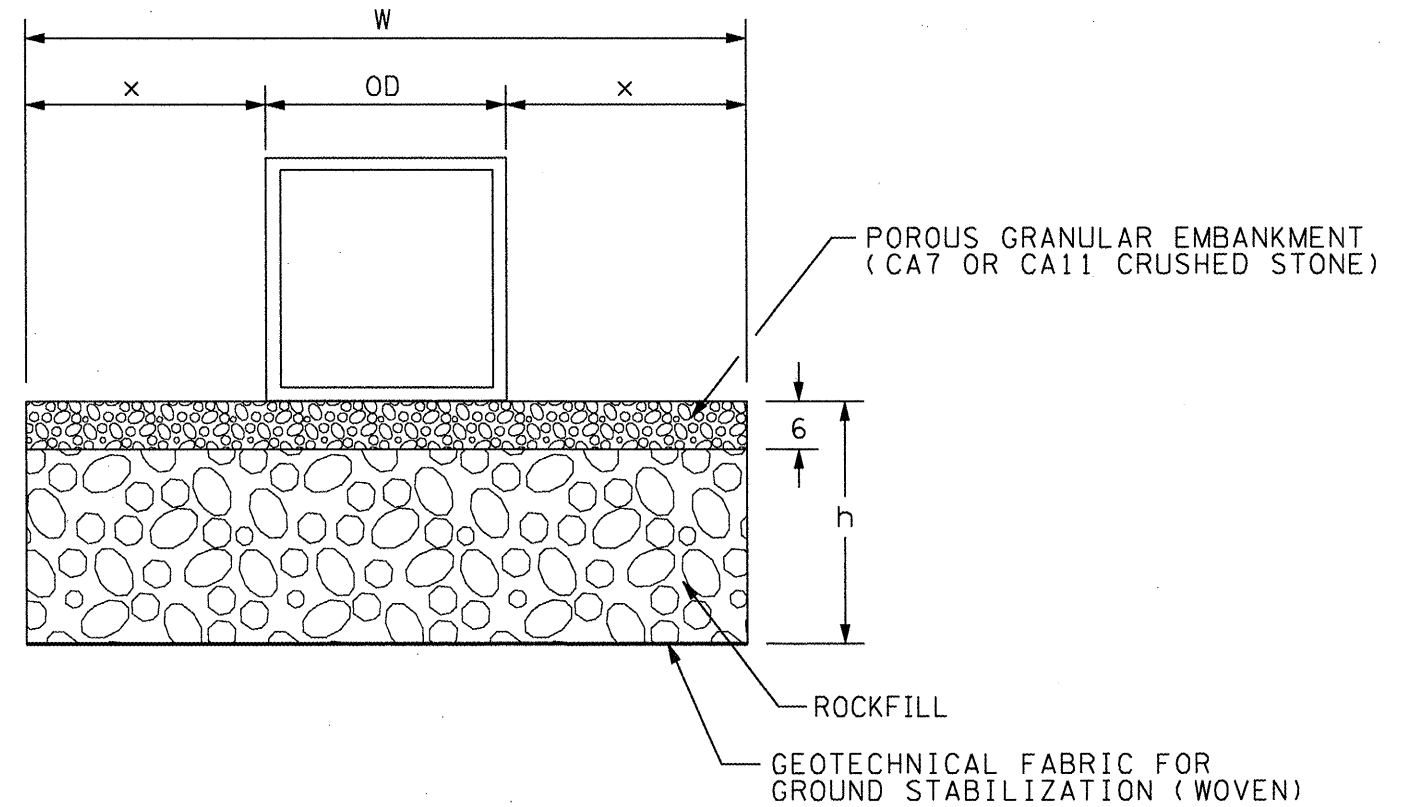


ALTERNATE I: UNDERCUT 18" OR LESS



ALTERNATE II: FOR >18" TO 36" UNDERCUT

CULVERT LOCATION	UNDERCUT			
	DEPTH	WIDTH		
	h	x	OD	W
22' - 30' LT OF $\phi$	14"	2'	17.5'	21.5'
22' LT - 22' RT OF $\phi$	6"	2'	17.5'	21.5'
22' - 30' RT OF $\phi$	14"	2'	17.5'	21.5'

- AT THE OPTION OF THE ENGINEER AN UNDERCUT FOR WORKING PLATFORM MAY BE USED IF NEEDED BASED ON SITE CONDITIONS AT THE TIME OF CONSTRUCTION.

GENERAL NOTES:

- Undercut if the Dynamic Cone Penetrometer tests indicate soil strength is less than 1 ton/sq ft.
- DEFINITIONS:  
 OD = Outside width of box culvert.  
 h = Depth of undercut.  
 x = h or minimum 2 feet, which ever is greater for box culverts.  
 W = Width of undercut = 2x + OD.
- For undercuts greater than 36", use Alternate II with undercut treatments as directed by the District Geotechnical Engineer.

All dimensions are in inches (millimeters) unless otherwise noted.

FILE NAME =	USER NAME = brucebm	DESIGNED -	REVISED -	<b>STATE OF ILLINOIS DEPARTMENT OF TRANSPORTATION</b>	<b>UNSATURABLE EXCAVATION TREATMENT DETAIL FOR BOX CULVERT - STA. 725+15.00</b>	F.A.S. RTE.	SECTION	COUNTY	TOTAL SHEETS	SHEET NO.	
S:\GEN\DRAWING\STD&PLNS\SQUAD9-NEW\Activ	Contracts\68574\deta1.dgn	DRAWN -	REVISED -			1360	631	WOODFORD	31	17	
	PLOT SCALE = 100.0000' / IN.	CHECKED -	REVISED -			CONTRACT NO. 68574					
	PLOT DATE = 8/14/2008	DATE -	REVISED -			FED. ROAD DIST. NO. ILLINOIS FED. AID PROJECT					
				NOT TO SCALE		SHEET NO. 1 OF 1 SHEETS		STA. 725+15.00			