

STATE OF ILLINOIS  
DEPARTMENT OF TRANSPORTATION

ROUTE NO.	SECTION	COUNTY	TOTAL SHEETS	SHEET NO.
F.A.P. 698	126BR	WOODFORD	56	31
FED. ROAD DIST. NO. 7	ILLINOIS	FED. AID PROJECT		

SHEET NO. 16  
19 SHEETS  
Contract # 68576

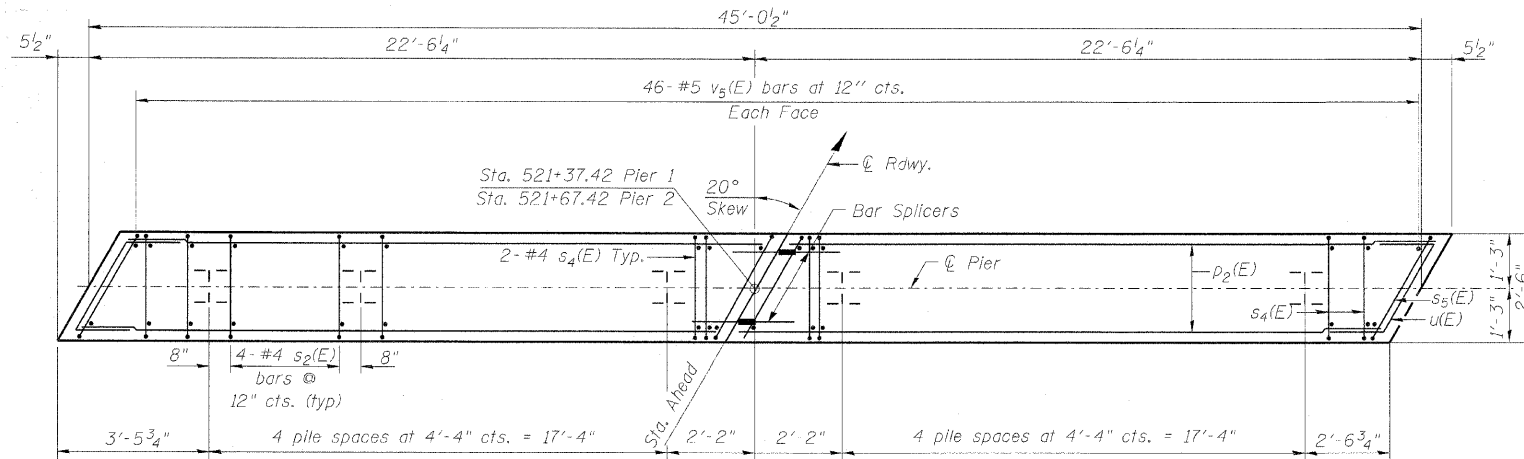
Notes:  
For details of piles, see sheet 18 of 19.  
If a portion of the pier wall or concrete encasement is under water, reinforcement may be placed underwater into forms. Concrete shall be tremied according to Article 503.08 of the Standard Specifications to an elevation of 1'-0" above the water line at the time of construction.

**PILE DATA**

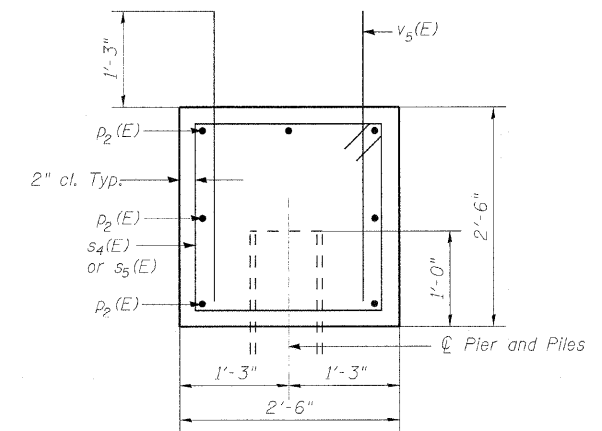
Type & Size: Steel-HP 12x63  
Nominal Required Bearing: 276 Kips  
Allowable resistance available = 92 Kips  
Estimated Pile length = 50'  
No. of production piles = 19 @ pier 1 & 2  
No. of Test Piles = 1 @ pier 1

**MIN BAR LAP**

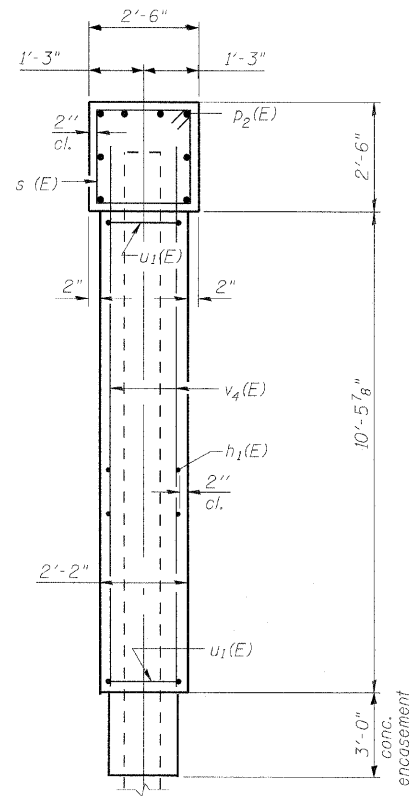
# 5 Bar = 1'-8"  
# 7 Bar = 3'-1"



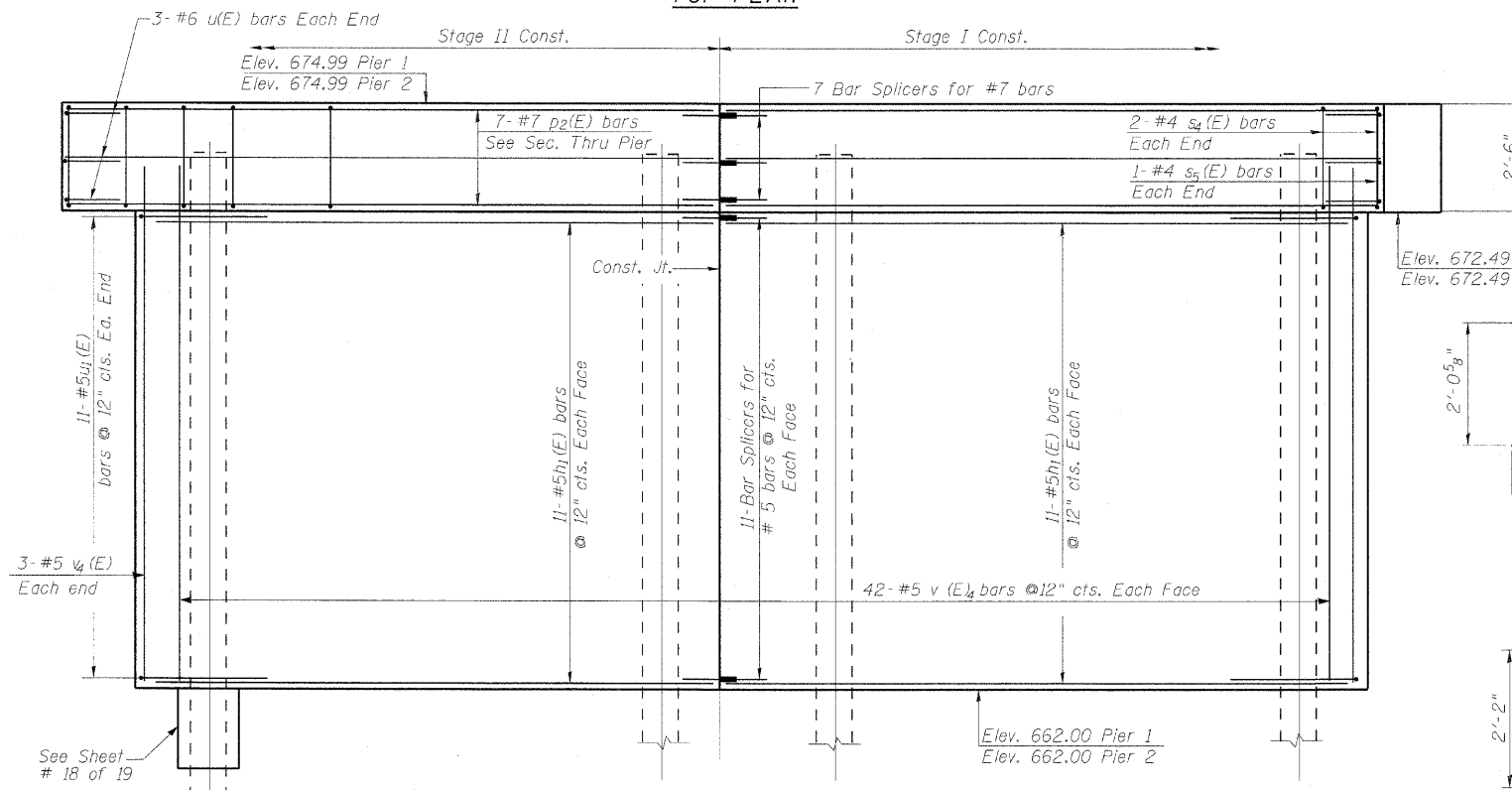
TOP PLAN



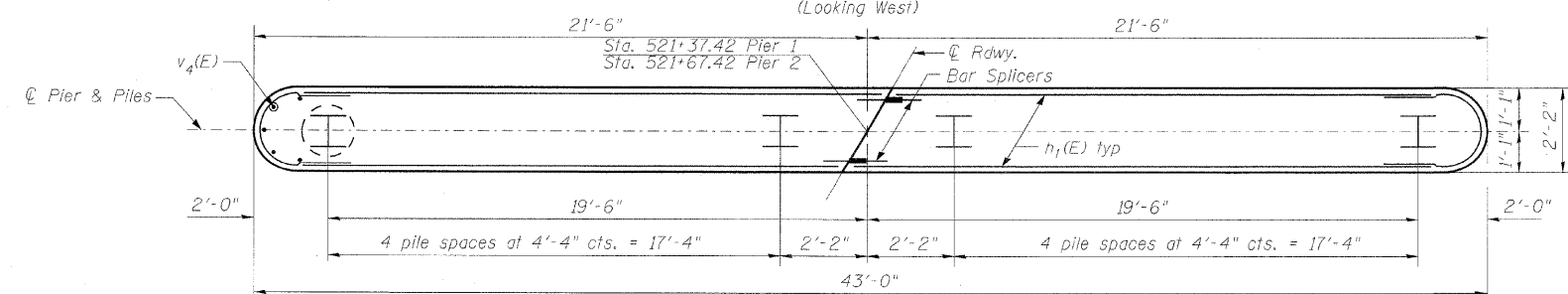
SECTION THRU PIER CAP



END VIEW



ELEVATION  
(Looking West)

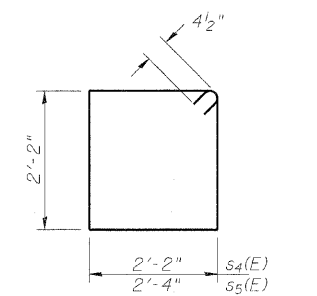


PILE LOCATION PLAN

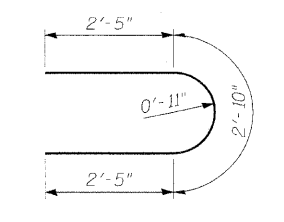
**TWO PIERS  
BILL OF MATERIAL**

Bar	No.	Size	Length	Shape
h1(E)	88	#5	20'-0"	—
p2(E)	28	#7	22'-2"	—
s4(E)	80	#4	9'-5"	□
s5(E)	8	#4	9'-9"	□
u(E)	12	#6	7'-9"	—
u1(E)	44	#5	7'-8"	—
v4(E)	180	#5	11'-9"	—
v5(E)	184	#5	3'-6"	—
Structure Excavation		Cu. Yd.	30.0	
Concrete Structures		Cu. Yd.	91.6	
Reinforcement Bars, Epoxy Coated		Pound	7030	
Furnishing Steel Piles HP12x63		Foot	950	
Driving Piles		Foot	950	
Test Pile, HP12x63		Each	1	
Concrete encasement		Cu. Yd.	6.8	

BAR u(E)



BARS s4(E) & s5(E)



BARS u1(E)

DESIGNED	KRG
CHECKED	MJK
DRAWN	GSJ
CHECKED	MJK

PIERS  
IL. ROUTE 89 OVER SNAG CREEK  
F.A.P. ROUTE 698 SEC. 126BR  
WOODFORD COUNTY  
STATION 521+52.42  
STRUCTURE NO. 102-0082