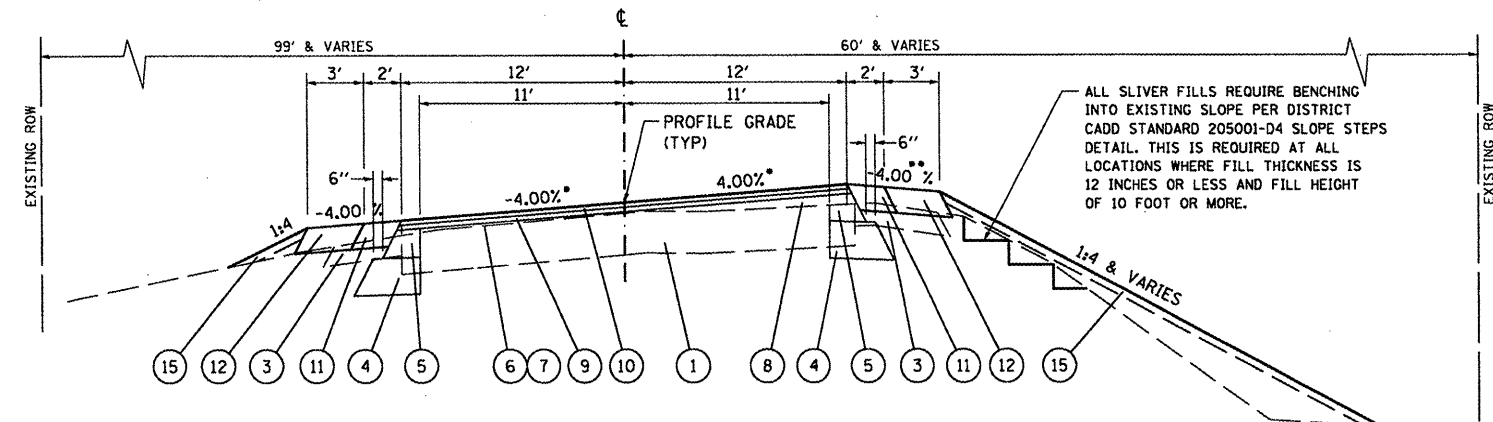


TYPICAL TANGENT SECTION
 IL ROUTE 26
 STATION 87+50.00 TO STATION 87+56.00
 STATION 108+57.95 TO STATION 109+00.00 ***

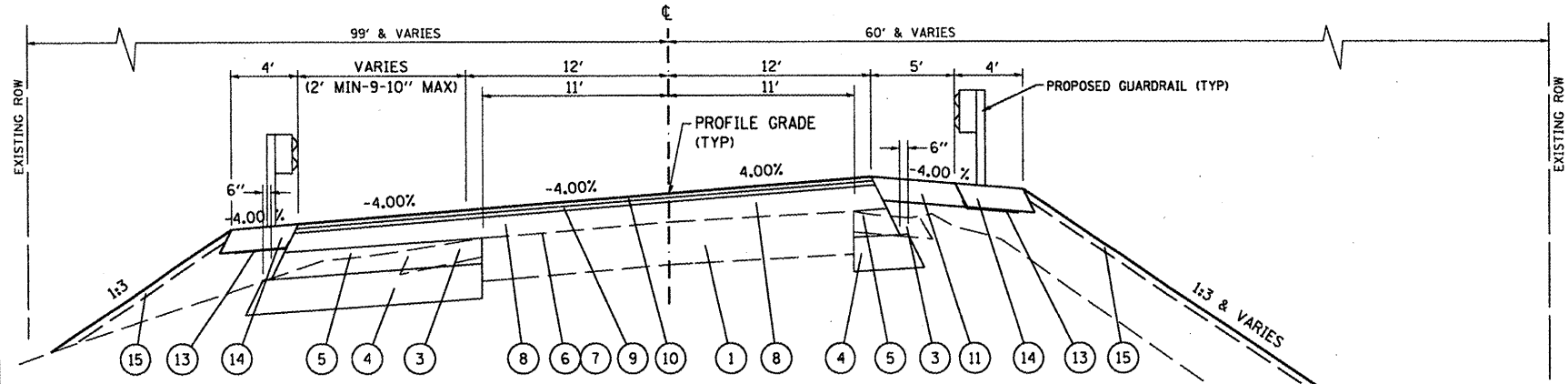
• TRANSITION FROM NORMAL CROWN TO 4.0% SUPERELEVATED SECTION: STATION 87+56.00 TO STATION 89+66.00
 ** GUTTER SECTION ENDS - STATION 89+26 LT STATION 89+50 RT
 *** SEE GUARDRAIL TYPICAL SECTION FOR RT SIDE SHOULDER TREATMENT

- LEGEND**
- ① EXISTING PAVEMENT (4 1/2" HMA SURFACE, 8" AGG BASE)
 - ② EXISTING CONCRETE GUTTER
 - ③ EXISTING AGGREGATE SHOULDER
 - ④ PROPOSED AGGREGATE SUB-BASE, 12"
 - ⑤ PROPOSED HMA WIDENING, 9"
 - ⑥ PROPOSED BITUMINOUS MATERIALS PRIME COAT
 - ⑦ PROPOSED AGGREGATE PRIME COAT
 - ⑧ PROPOSED HMA BINDER COURSE (2 1/4" MIN.)
 - ⑨ PROPOSED HMA LEVELING BINDER (3/4" MIN.)
 - ⑩ PROPOSED HMA SURFACE COURSE, 1 1/2"
 - ⑪ PROPOSED HMA SHOULDER, 8"
 - ⑫ PROPOSED AGGREGATE SHOULDER, 8"
 - ⑬ PROPOSED GEOTEXTILE FABRIC (STAPLED)
 - ⑭ PROPOSED GUARDRAIL AGGREGATE EROSION CONTROL, 8"
 - ⑮ PROPOSED TOPSOIL FURNISH AND PLACE 4"



TYPICAL SUPERELEVATED SECTION
 IL ROUTE 26
 STATION 89+66.00 TO STATION 106+17.95

• TRANSITION FROM 4.0% TO NORMAL CROWN SUPERELEVATED SECTION: STATION 106+47.95 TO STATION 108+57.95
 ** RIGHT SHOULDER SECTION WILL TRANSITION FROM -4% TO 4% STATION 93+00 TO STATION 95+00 AND FROM 4% TO -4% STATION 98+00 TO STATION 100+00 (SEE CROSS SECTIONS)



TYPICAL WIDENING AND GUARDRAIL SECTION

WIDENING TRANSITION LIMITS:
 STA. 92+25.18 TO STA. 93+43.18 LT
 STA. 100+72.50 TO STA. 101+78.50 LT

WIDENING LIMITS:
 STA. 92+43.18 TO STA. 94+83.20 LT
 STA. 97+81.32 TO STA. 100+72.50 LT

GUARDRAIL LIMITS:
 STA. 87+98.46 TO STA. 95+56.44 RT
 STA. 93+43.18 TO STA. 95+15.99 LT
 STA. 97+59.07 TO STA. 100+72.50 LT
 STA. 97+73.10 TO STA. 99+68.58 RT
 STA. 102+87.50 TO STA. 109+00.00 RT

FILE NAME =	USER NAME = #USER#	DESIGNED -	REVISED -
*FILE#		DRAWN - WJS	REVISED -
	PLOT SCALE = #SCALE#	CHECKED -	REVISED -
	PLOT DATE = #DATE#	DATE - 03-06-08	REVISED -

**STATE OF ILLINOIS
 DEPARTMENT OF TRANSPORTATION**

TYPICAL SECTIONS AND MIXTURE REQUIREMENTS			
SCALE: NONE	SHEET NO.	OF SHEETS	STA. TO STA.

F.A.S. RTE.	SECTION	COUNTY	TOTAL SHEETS	SHEET NO.
2370	1-BR	PUTNAM	65	6
CONTRACT NO. 68577				
FED. ROAD DIST. NO.		ILLINOIS FED. AID PROJECT		