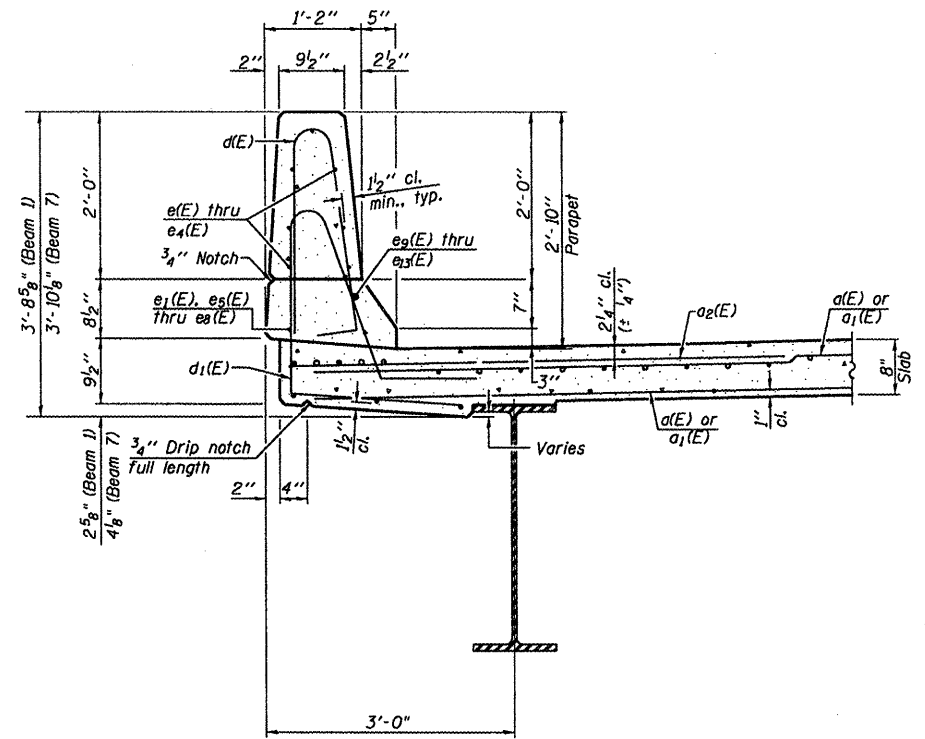
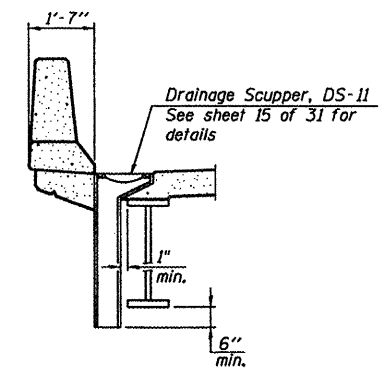


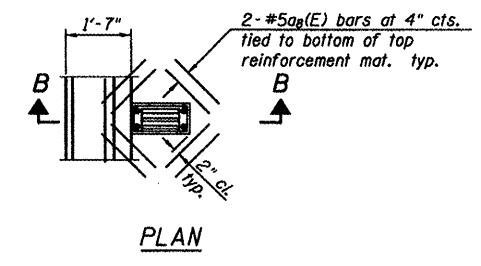
Contract # 68577



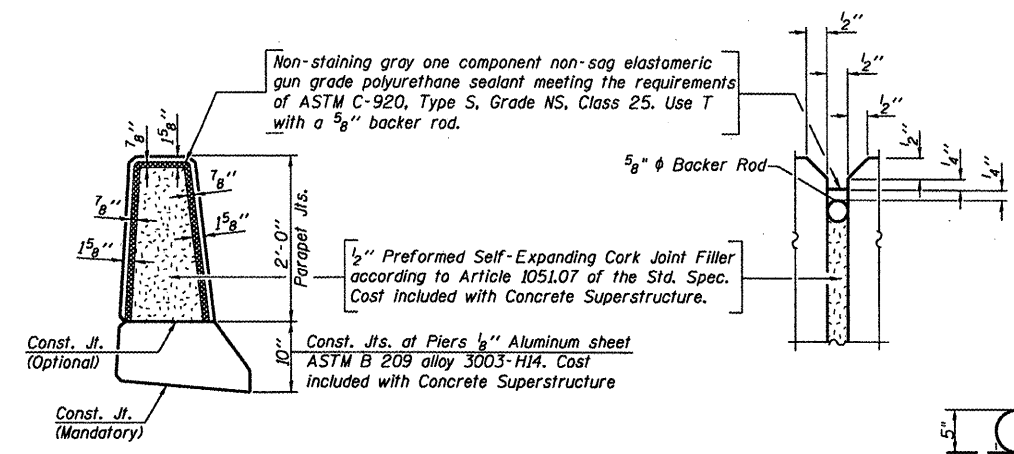
SECTION THRU PARAPET



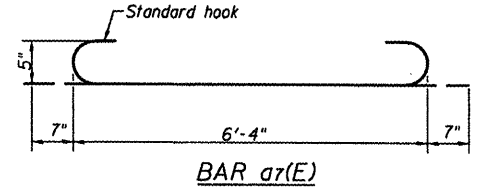
SECTION B-B



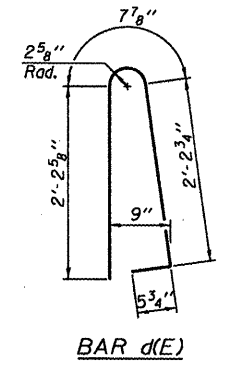
PLAN



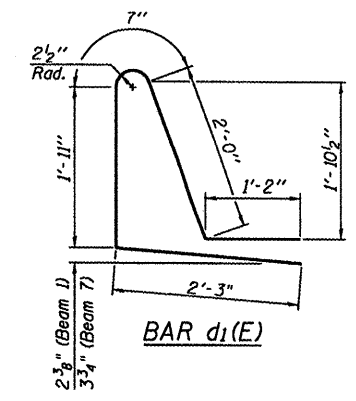
PARAPET JOINT DETAILS



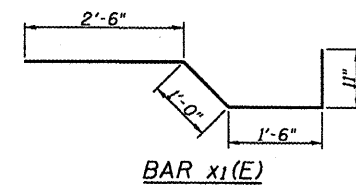
BAR a7(E)



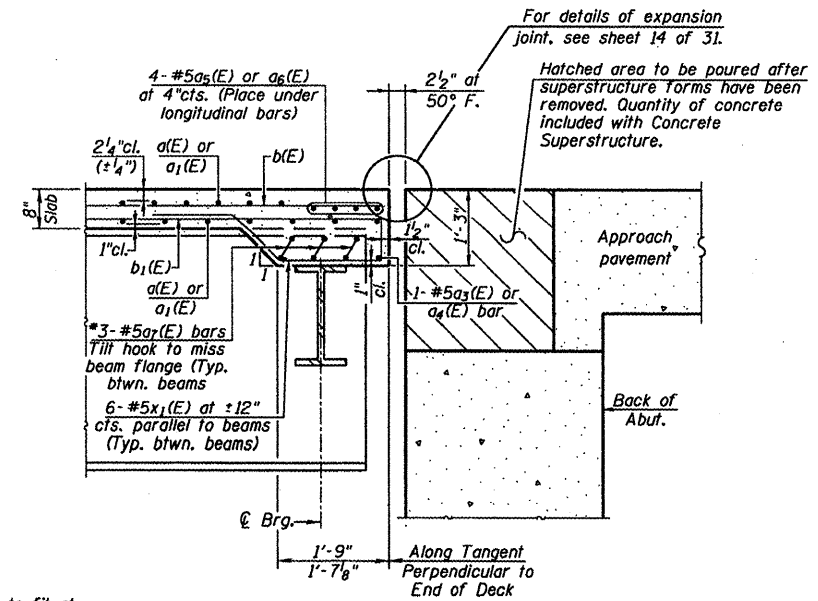
BAR d(E)



BAR d1(E)



BAR x1(E)



SECTION A-A

* Cut a7(E) bars to fit at Stage Const. Jt. Provide 3-Bar Splicers (E) for #5a7(E) bars at Stage Construction Joint (Typ. Each End of Superstructure)

**SUPERSTRUCTURE
BILL OF MATERIAL**

Bar	No.	Size	Length	Shape
a1(E)	577	#5	15'-10"	—
a2(E)	667	#6	6'-0"	—
a3(E)	2	#5	17'-11"	—
a4(E)	2	#5	25'-7"	—
a5(E)	8	#6	17'-11"	—
a6(E)	8	#6	25'-7"	—
a7(E)	36	#5	7'-6"	—
a8(E)	8	#5	1'-6"	—
b(E)	264	#5	34'-10"	—
b1(E)	82	#6	36'-0"	—
b2(E)	294	#5	30'-1"	—
d(E)	436	#5	5'-7"	—
d1(E)	436	#5	7'-11"	—
e(E)	21	#4	18'-9"	—
e1(E)	60	#4	9'-2"	—
e2(E)	42	#4	16'-8"	—
e3(E)	21	#4	17'-6"	—
e4(E)	42	#4	17'-10"	—
e5(E)	2	#4	29'-2"	—
e6(E)	4	#4	26'-1"	—
e7(E)	2	#4	27'-3"	—
e8(E)	4	#4	28'-3"	—
e9(E)	3	#8	22'-5"	—
e10(E)	8	#8	9'-2"	—
e11(E)	6	#8	20'-4"	—
e12(E)	3	#8	21'-2"	—
e13(E)	6	#8	21'-10"	—
x1(E)	72	#5	5'-11"	—
Reinforcement Bars, Epoxy Coated		Pound	63100	
Concrete Superstructure		Cu. Yds.	268.4	

**SUPERSTRUCTURE DETAILS
ILLINOIS ROUTE 26 OVER
COFFEE CREEK
F.A.S. ROUTE 2370
SECTION I-BR
PUTNAM COUNTY
STA. 96+59.00
STRUCTURE NO. 078-0046**