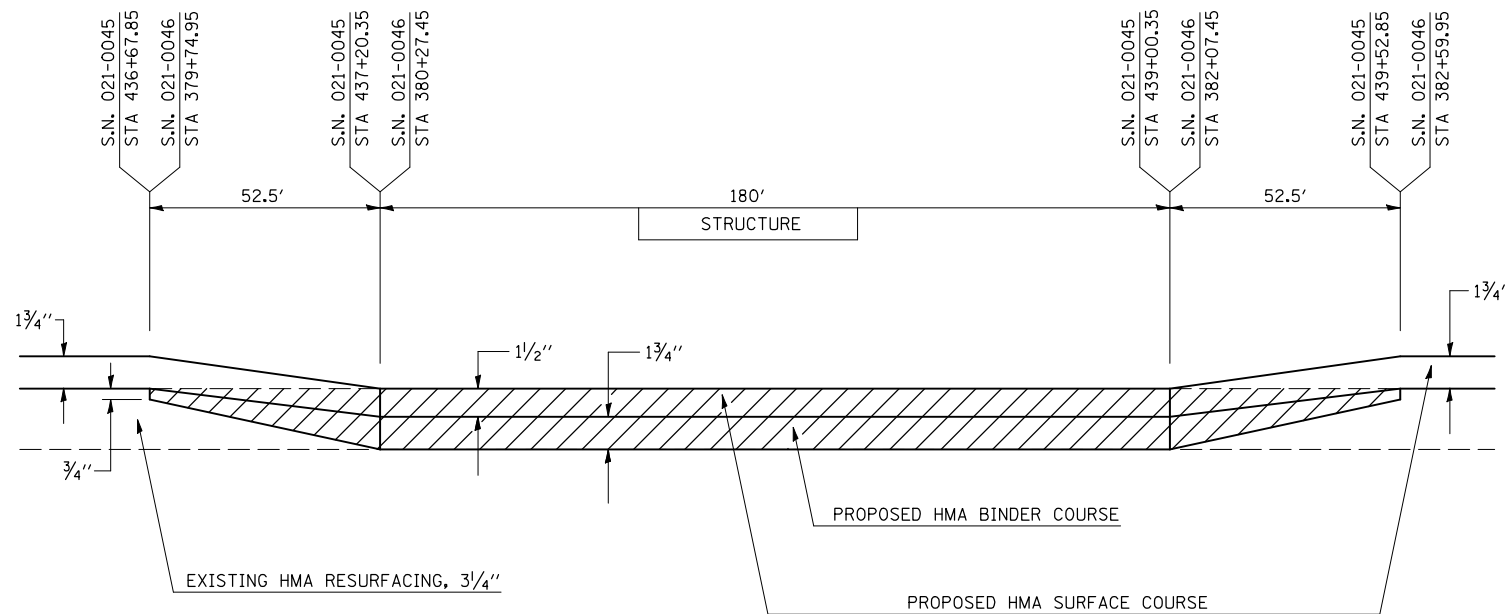


F.A.I. RTE.	SECTION	COUNTY	TOTAL SHEETS	SHEET NO.
57	*	DOUGLAS	76	62

*(15,21-25,21-26,27)RS-1

DETAIL OF INLAY UNDER OVERHEAD STRUCTURES

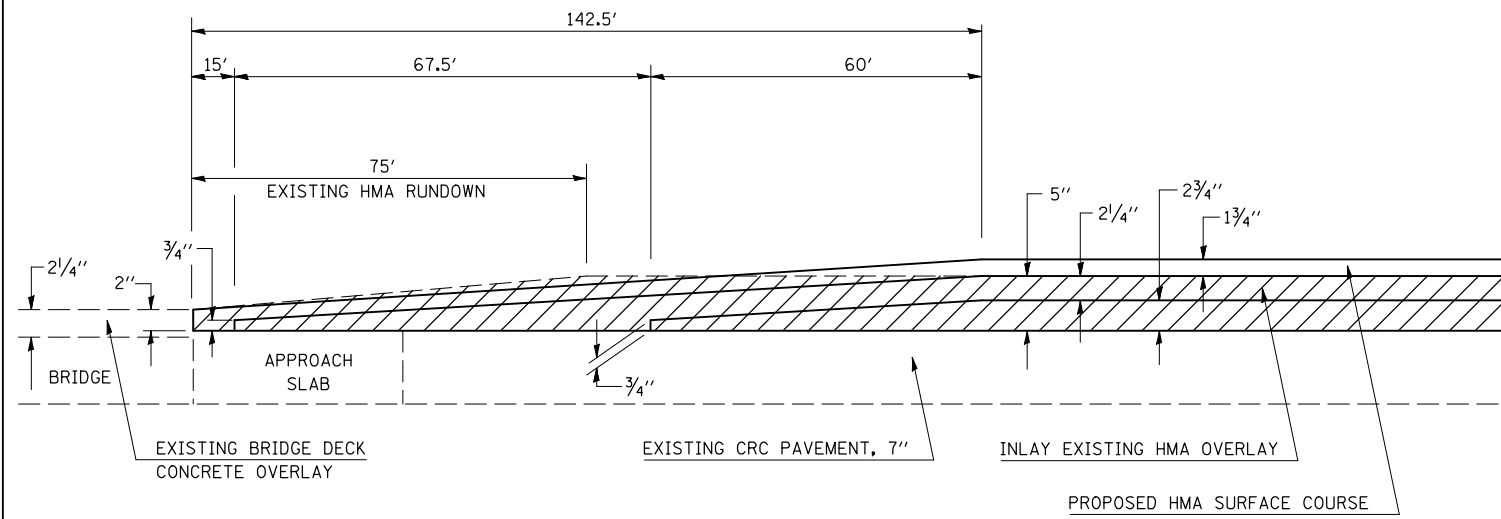
S. N. 021-0046 (NB & SB)
& S. N. 021-0045 (SB ONLY)



HMA SURFACE REMOVAL - VARIABLE DEPTH

DETAIL OF BUTT JOINT - DRIVING LANE

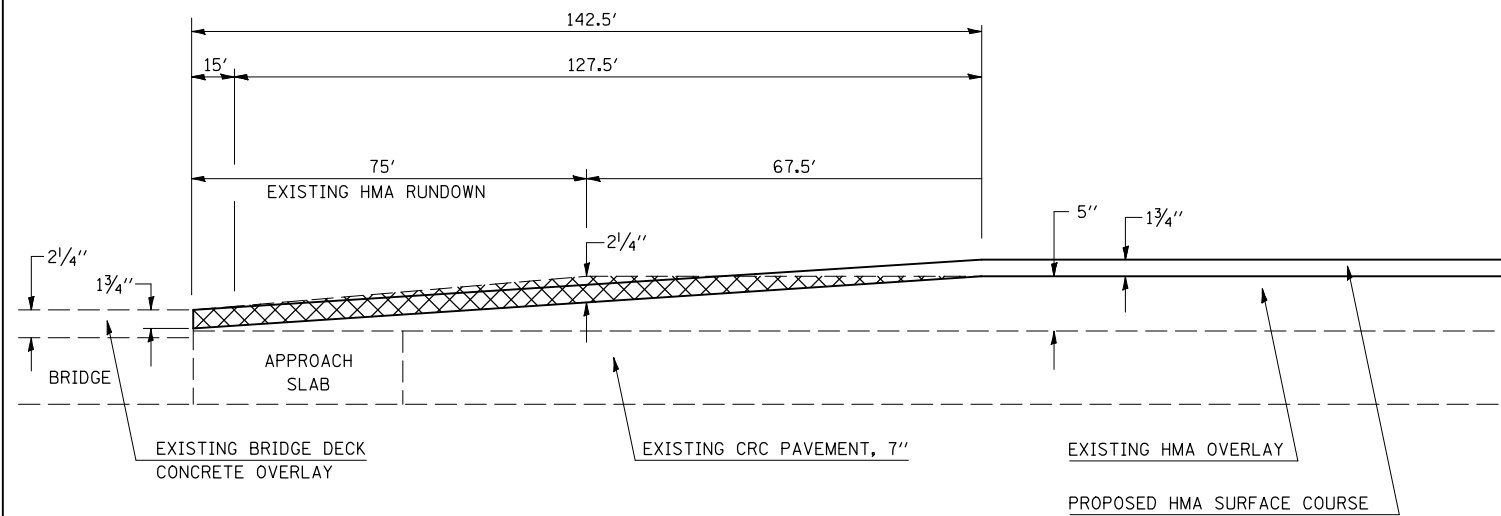
S. N. 021-0007 (NORTH APPROACH ONLY)
& S. N. 021-0008 (NORTH APPROACH ONLY)



HMA SURFACE REMOVAL - 5"

DETAIL OF BUTT JOINT - PASSING LANE

S. N. 021-0007 (NORTH APPROACH ONLY)
& S. N. 021-0008 (NORTH APPROACH ONLY)



HMA SURFACE REMOVAL - BUTT JOINT

ILLINOIS DEPARTMENT OF TRANSPORTATION

PAVEMENT DETAILS

F.A.I. ROUTE 57
SECTION (15,21-25,21-26,27)RS-1
DOUGLAS COUNTY

SCALE: N/A
DATE: 07-2008

DRAWN BY: JRP
CHECKED BY: KBD