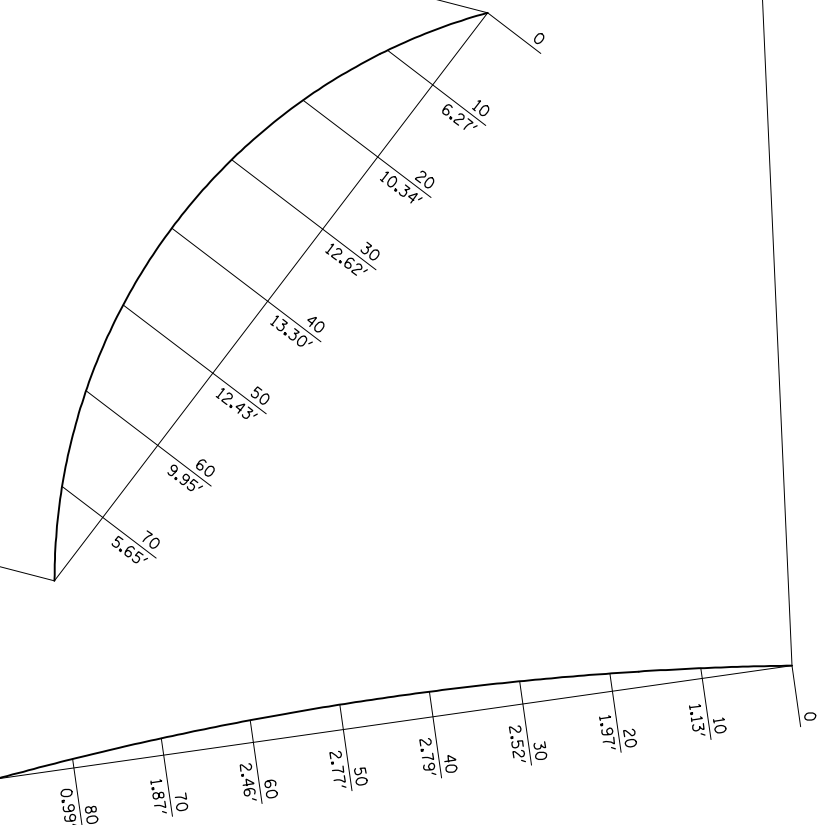
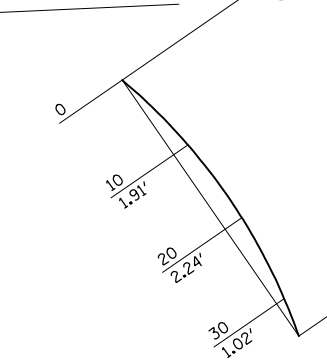
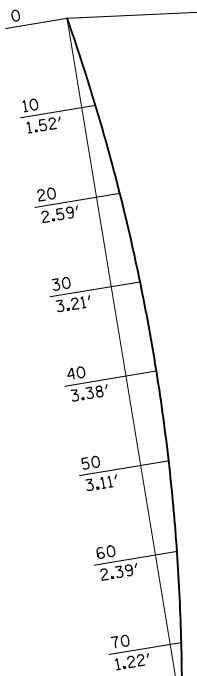
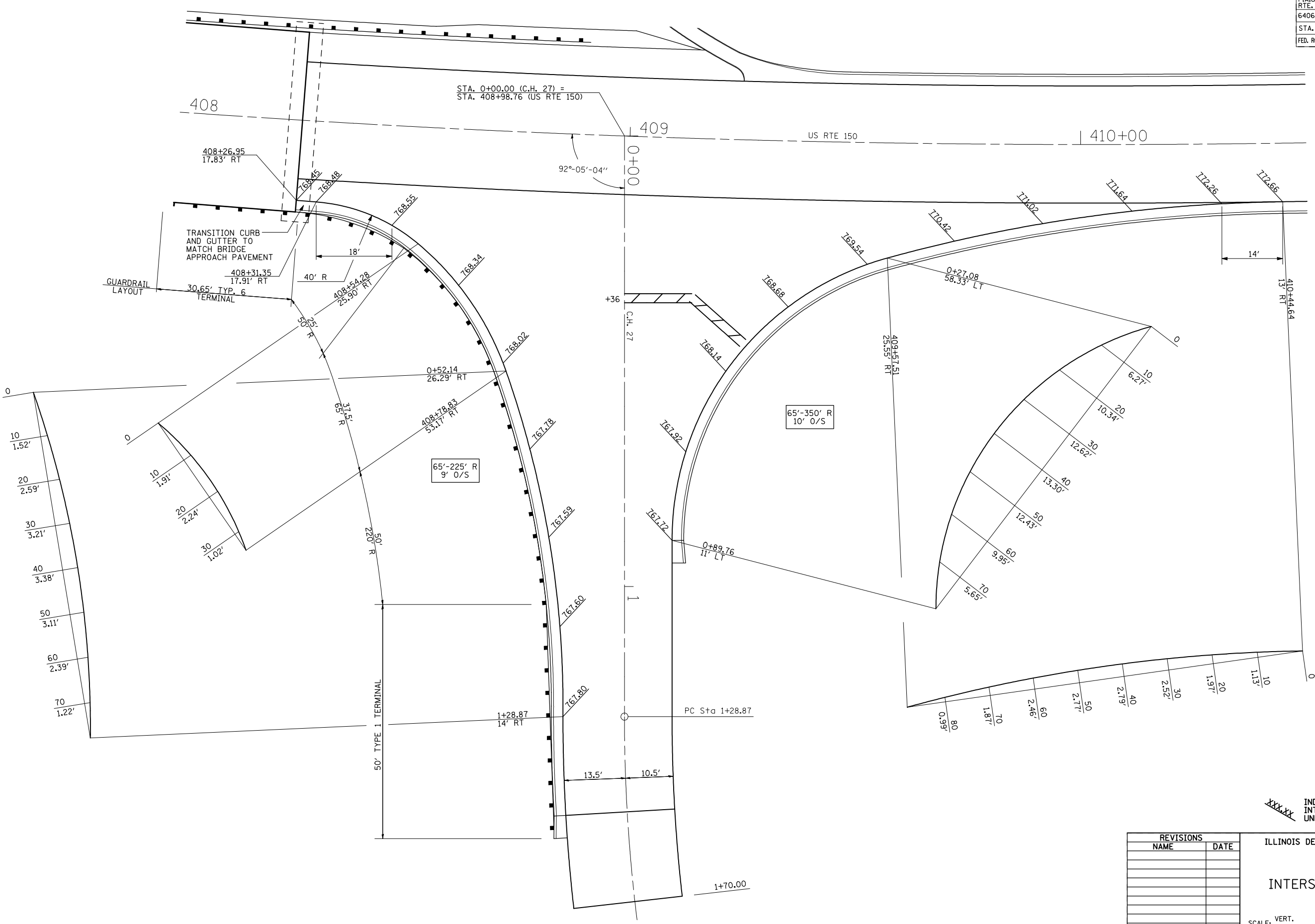


F.A.U. RTE.	SECTION	COUNTY	TOTAL SHEETS	SHEET NO.
6406	1(BR-2)	MCLEAN	74	24
STA.		TO STA.		
FED. ROAD DIST. NO.	ILLINOIS	FED. AID PROJECT		



**LEGEND**  
~~XXXX~~ INDICATES PROPOSED GRADE ELEVATION INTERVAL AROUND CURVES IS 20' UNLESS NOTED

REVISIONS	
NAME	DATE

ILLINOIS DEPARTMENT OF TRANSPORTATION  
**INTERSECTION GEOMETRICS**  
 SCALE: VERT. / HORIZ.  
 DATE: / /  
 DRAWN BY: / /  
 CHECKED BY: / /

PLOT DATE = 8/21/2008  
 FILE NAME = c:\projeas\6503706\6503706\11.01.2007\submit\intersection\geometrics.dgn  
 PLOT SCALE = 211765' / IN.  
 USER NAME = stults,j