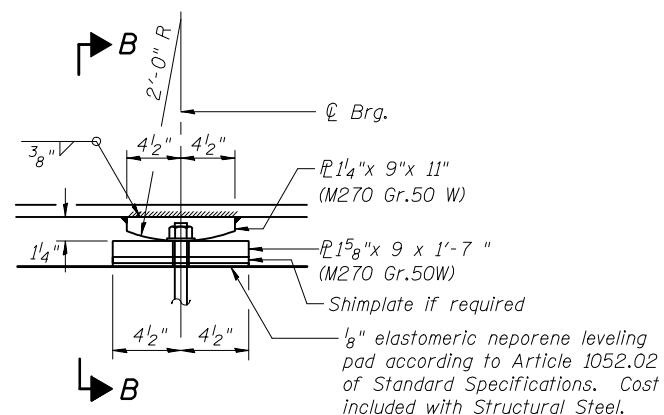


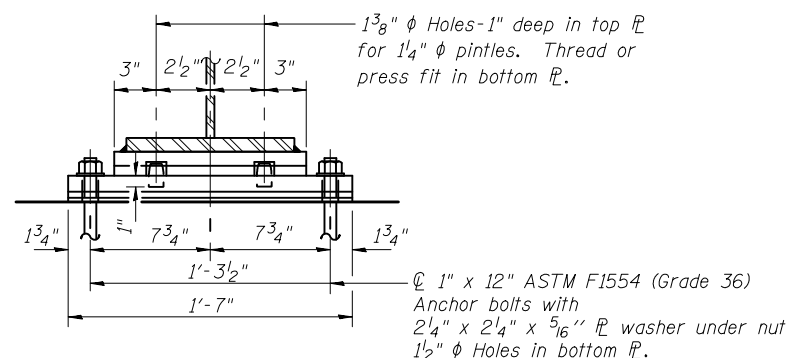
ROUTE NO.	SECTION	COUNTY	TOTAL SHEETS	SHEET NO.
FAP 836	118 BR-2	Champaign	45	21
FED. ROAD DIST. NO. 5		ILLINOIS	FED. AID PROJECT-	



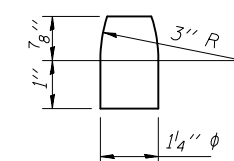
ELEVATION AT PIER

(12 Required)

FIXED BEARING



SECTION B-B



PINTLE

Notes:

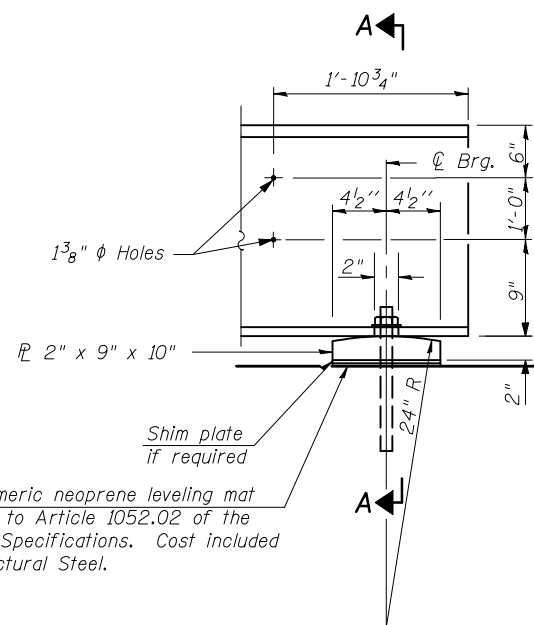
Anchor bolts shall be ASTM F1554 all-thread (or an Engineer-approved alternate material) of the grade(s) and diameter(s) specified. ASTM A307 Grade C anchor bolts may be used in lieu of ASTM F1554 Grade 36 (Fy=36ksi). The corresponding specified grade of AASHTO M314 anchor bolts may be used in lieu of ASTM F1554.

Anchor bolts at fixed bearings may be either cast in place or installed in holes drilled after the supported member is in place.

Drilled and set anchor bolts shall be installed according to Article 521.06 of the Standard Specifications.

Two 1/8 in. adjusting shims shall be provided for each bearing in addition to all other plates or shims and placed as shown on bearing details.

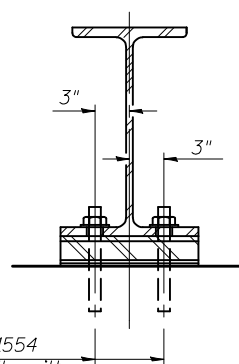
Load carrying components designated "NTR" shall conform to the Supplemental Requirements for Notch Toughness Zone 2.



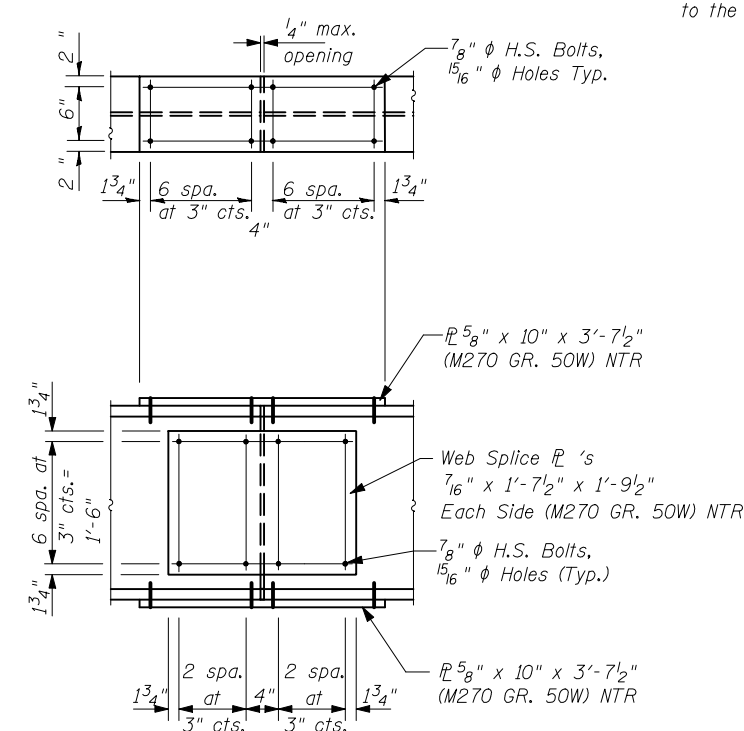
ELEVATION AT ABUTMENT

(12 - Required)

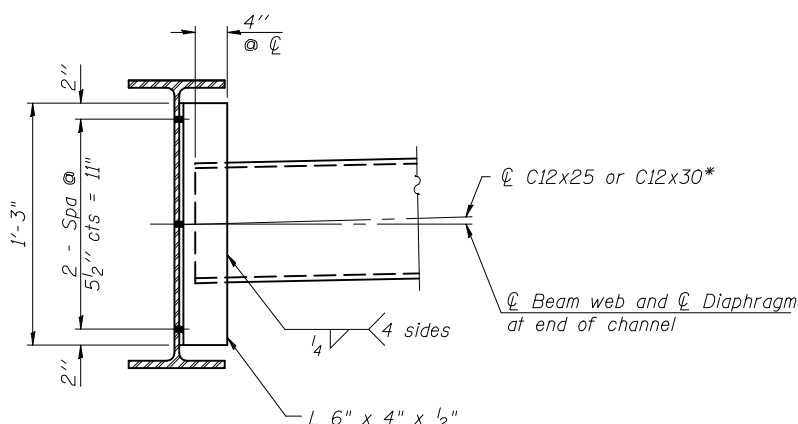
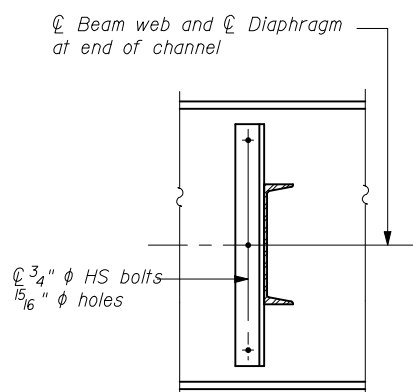
FIXED BEARING



SECTION A-A



SPLICE DETAIL



INTERIOR DIAPHRAGM D1

(25 Required)

* Alternate channels are permitted to facilitate material acquisition. Calculated weight of structural steel is based on the lighter section.

Note: Two hardened washers required for each set of oversized holes.

REVISIONS	
NAME	DATE

ILLINOIS DEPARTMENT OF TRANSPORTATION
BEARING AND STEEL DETAILS
IL RTE. 49 OVER LITTLE VERMILION RIVER
FAP 836 SECTION 118BR-2
CHAMPAIGN COUNTY
STA. 688+85 STR. NO. 010-0284
 SCALE: VERT. _____ HORIZ. _____
 DATE MAY 2008 DRAWN BY GEW CHECKED BY MJS