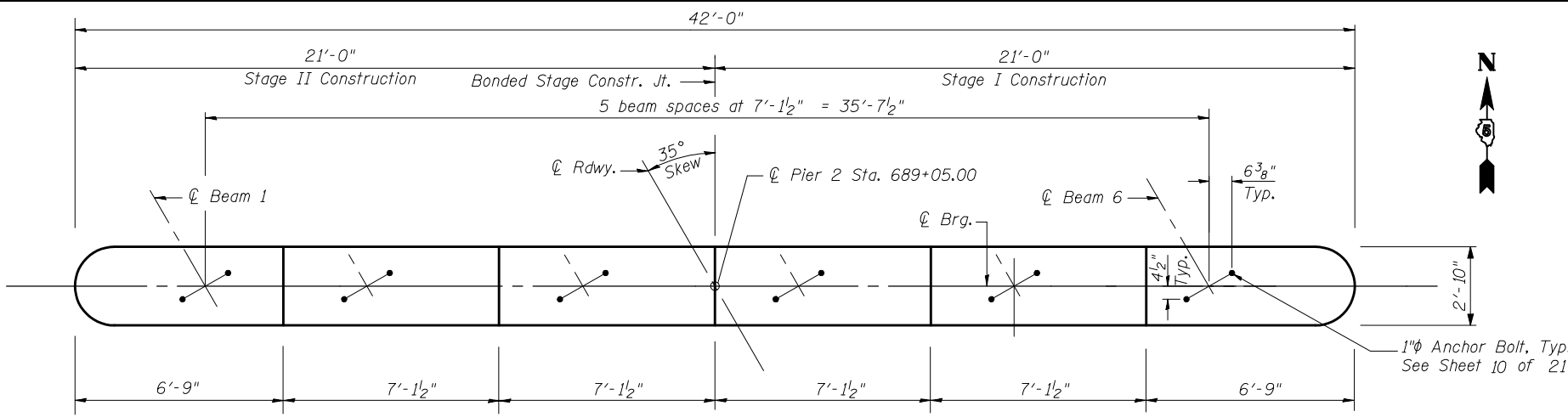
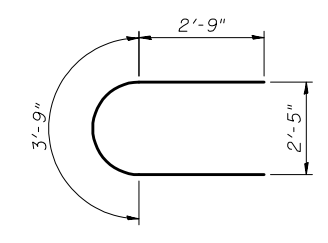


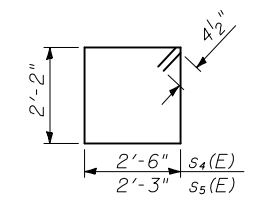
ROUTE NO.	SECTION	COUNTY	TOTAL SHEETS	SHEET NO.	SHEET NO. 15 21 SHEETS
FAP 836	118 BR-2	Champaign	45	26	
FED. ROAD DIST. NO. 5	ILLINOIS	FED. AID PROJECT-			



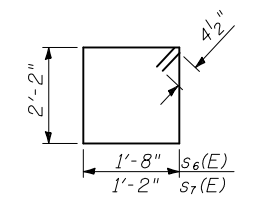
**TOP PLAN**



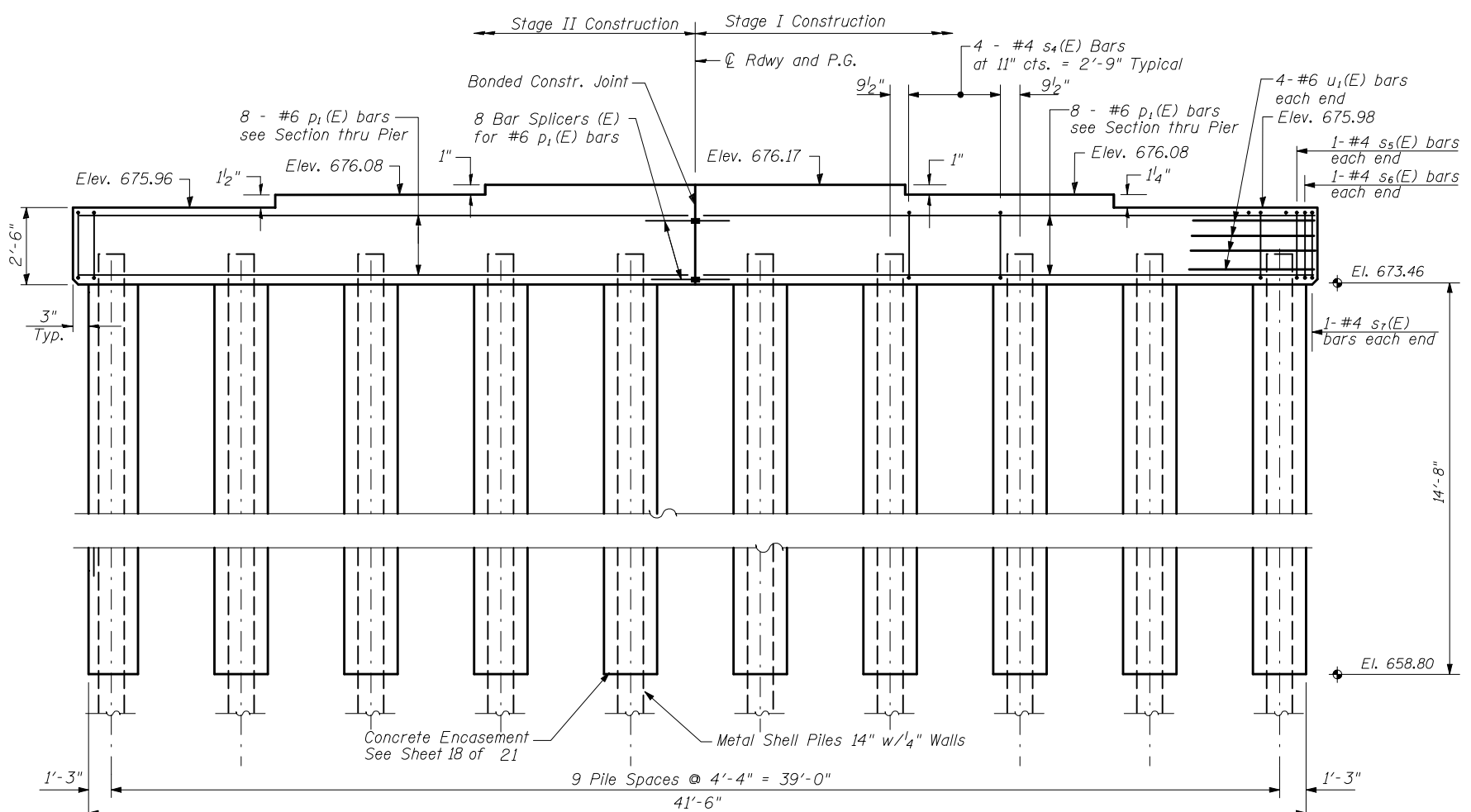
**BAR u<sub>1</sub>(E)**



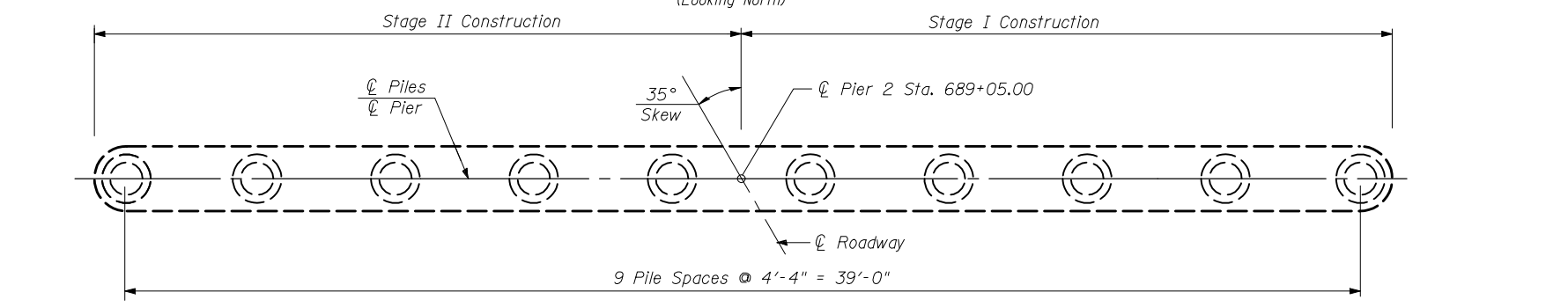
**BAR s<sub>4</sub>(E), s<sub>5</sub>(E)**



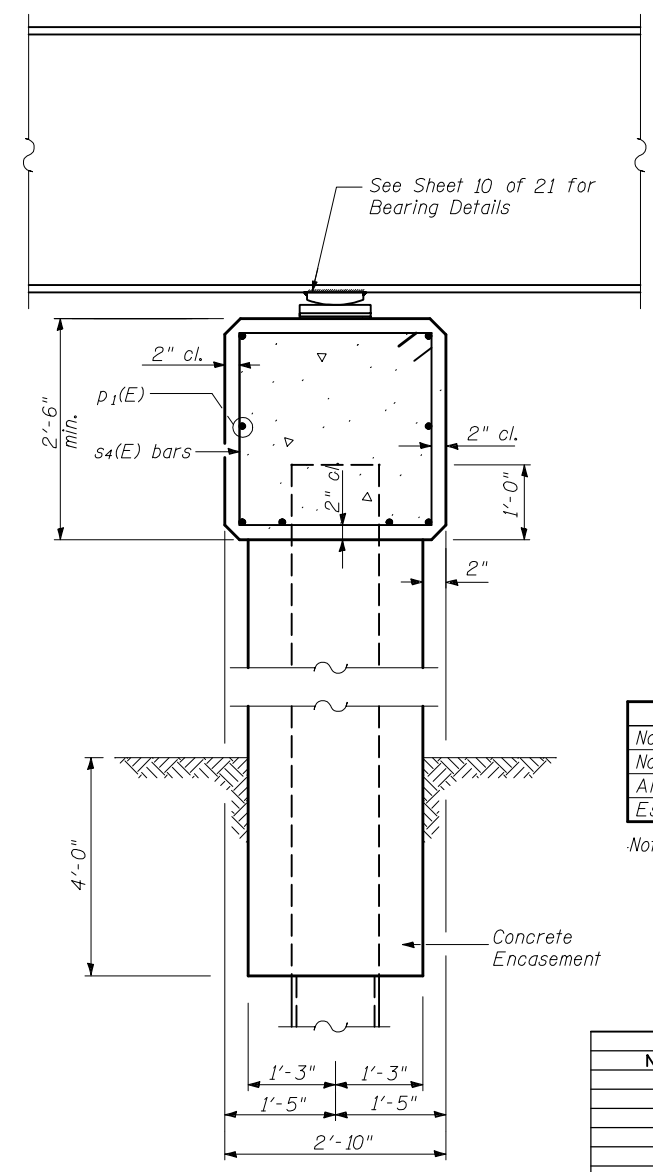
**BAR s<sub>6</sub>(E), s<sub>7</sub>(E)**



**ELEVATION**  
(Looking North)



**PILE LAYOUT**



**SECTION THRU PIER**

**BILL OF MATERIAL**

PIER 2				
Bar	No.	Size	Length	Shape
p <sub>1</sub> (E)	16	#6	19'-5"	—
s <sub>4</sub> (E)	36	#4	10'-1"	□
s <sub>5</sub> (E)	2	#4	9'-7"	□
s <sub>6</sub> (E)	2	#4	8'-5"	□
s <sub>7</sub> (E)	2	#4	7'-5"	□
u <sub>1</sub> (E)	8	#6	9'-3"	U
Concrete Structures			Cu.Yd.	11.3
Reinforcement Bars, Epoxy Coated			Lbs.	855
Furnishing Metal Shell Piles, 14 in. x 0.250"			Ft.	460
Driving Piles			Ft.	460
Concrete Encasement			Cu.Yd.	26.4
Underwater Structure Excavation Protection Location 2			Each	1

**PILE DATA**

Type & Size	Metal Shell 14 in. dia. x 0.250 in. walls
No. Required	10
Nominal Required Bearing	220 Kips
Allowable Resistance Available	110 Kips
Est. Length Pier 2	46 Ft.

Note: Do not overdrive Piles

REVISIONS	
NAME	DATE

ILLINOIS DEPARTMENT OF TRANSPORTATION  
**PIER 2 DETAILS**  
 IL RTE. 49 OVER LITTLE VERMILION RIVER  
 FAP 836 SECTION 118BR-2  
 CHAMPAIGN COUNTY  
 STA. 688+85 STR. NO. 010-0284  
 SCALE: VERT. \_\_\_\_\_  
 HORIZ. \_\_\_\_\_  
 DATE MAY 2008  
 DRAWN BY GEW  
 CHECKED BY MJS

TUG PROJ. # 3107012-01  
 PLOT DATE = 8/19/2008 4:20:44 PM  
 FILE NAME = ...bridge\11r-pier2.dwg