

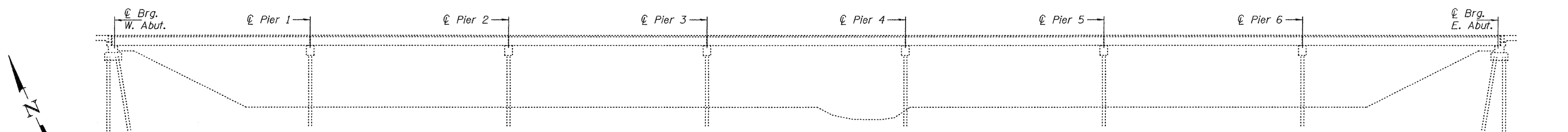
STATE OF ILLINOIS  
DEPARTMENT OF TRANSPORTATION

\* D7 Bridge Repair 2009-1

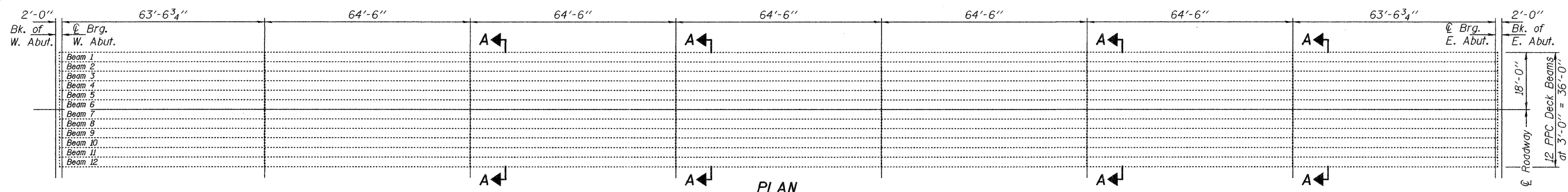
ROUTE NO.	SECTION	COUNTY	LIST SHEETS	SHEET NO.
FAP 327	*	Lawrence	6	5
FED. ROAD DIST. NO. 7	ILLINOIS	FED. AID PROJECT		

SHEET NO. 1  
1 SHEETS

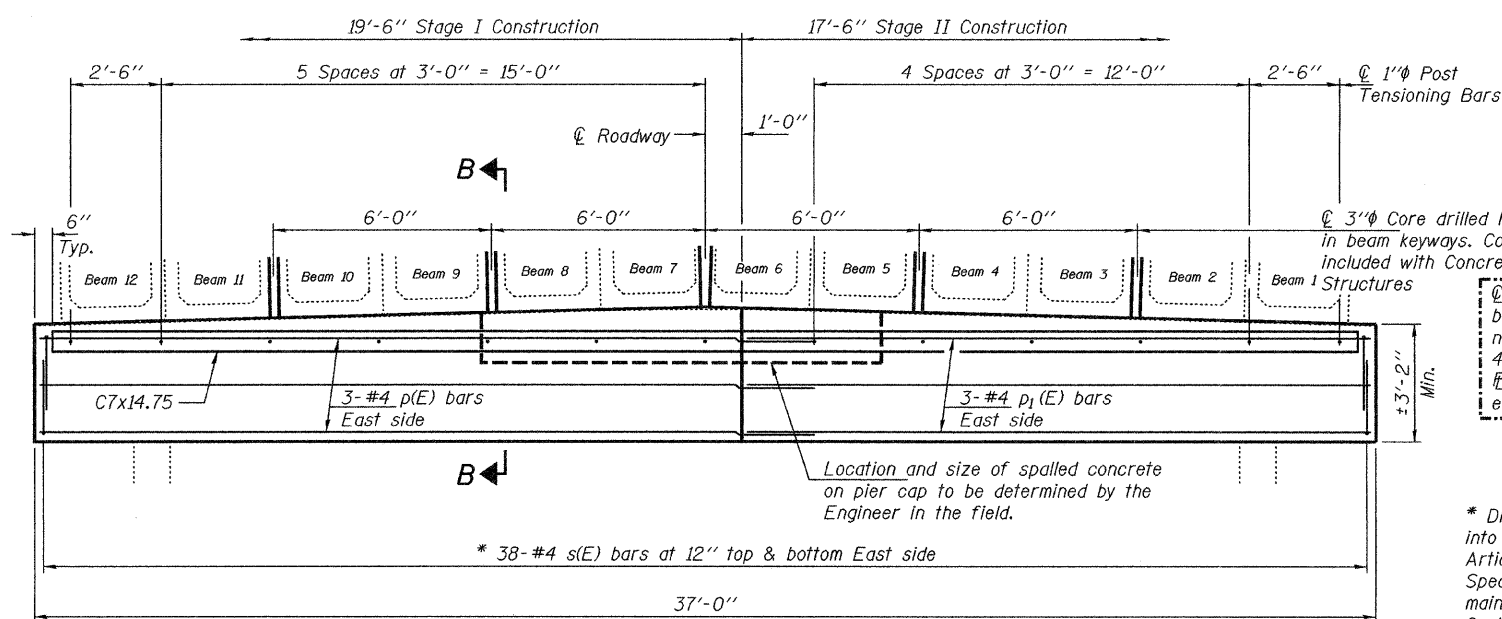
Contract Number: 74347



ELEVATION

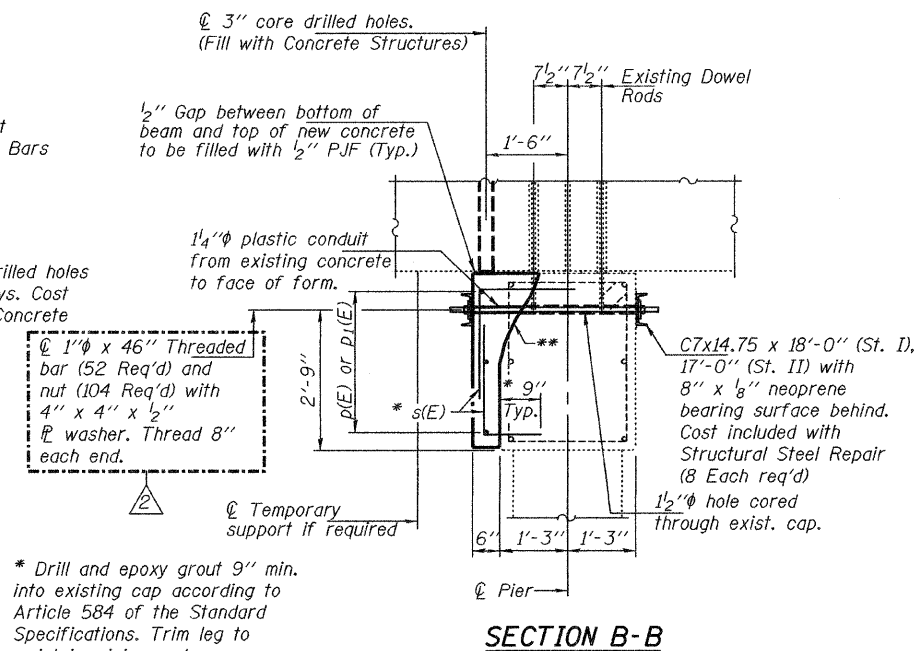


PLAN



SECTION A-A

Stage I traffic control shall remain in place until Stage I concrete has cured.  
Stage II traffic control shall remain in place until Stage II concrete has cured.



SECTION B-B

\* Drill and epoxy grout 9" min. into existing cap according to Article 584 of the Standard Specifications. Trim leg to maintain minimum clearance. Cost included with Reinforcement Bars, Epoxy Coated.

GENERAL NOTES

The Contractor shall use extreme care during concrete removal so as not to damage the PPC Deck beams.

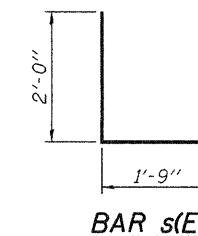
Existing exposed reinforcement shall be cleaned, straightened and incorporated into the new construction. Any reinforcement bars that are damaged during concrete removal shall be replaced with an approved bar splicer or anchorage system. Cost shall be included with Concrete Structures.

Plan dimensions and details relative to existing plans are subject to routine variations. The Contractor shall field verify existing dimensions and details affecting new construction and make necessary approved adjustments prior to construction or ordering of materials. Such variations shall not be cause for additional compensation for a change in scope of the work, however, the Contractor will be paid for the quantity actually furnished based upon the unit price bid for the work.

Reinforcement bars shall conform to the requirements of ASTM A 706 Gr 60 (IL Modified).

Reinforcement bars designated (E) shall be epoxy coated.

Self consolidating concrete shall be used throughout. See Special Provisions.



BAR s(E)

TOTAL BILL OF MATERIAL

Bar	No.	Size	Length	Shape
p(E)	12	#4	21'-6"	—
p <sub>1</sub> (E)	12	#4	17'-4"	—
s(E)	304	#4	3'-9"	L
Structural Steel Repair		Pound	4940	②
Concrete Structures		Cu. Yd.	9.1	
Reinforcement Bars, Epoxy Coated		Pound	1240	

DESIGNED	Vicki H. Veliz
CHECKED	R. Baliva
DRAWN	baliva
CHECKED	VHV

SEPTEMBER 9, 2008  
EXAMINED  
PASSED



Expires: November 30, 2010

\*\* To ensure stability of the existing beams, the removal shall not go deeper than the existing dowel rods. Cost included with Concrete Structures.

PIER CAP REPAIR DETAILS  
FAP 327 OVER ALLISON DITCH  
LAWRENCE COUNTY  
SN 051-0025