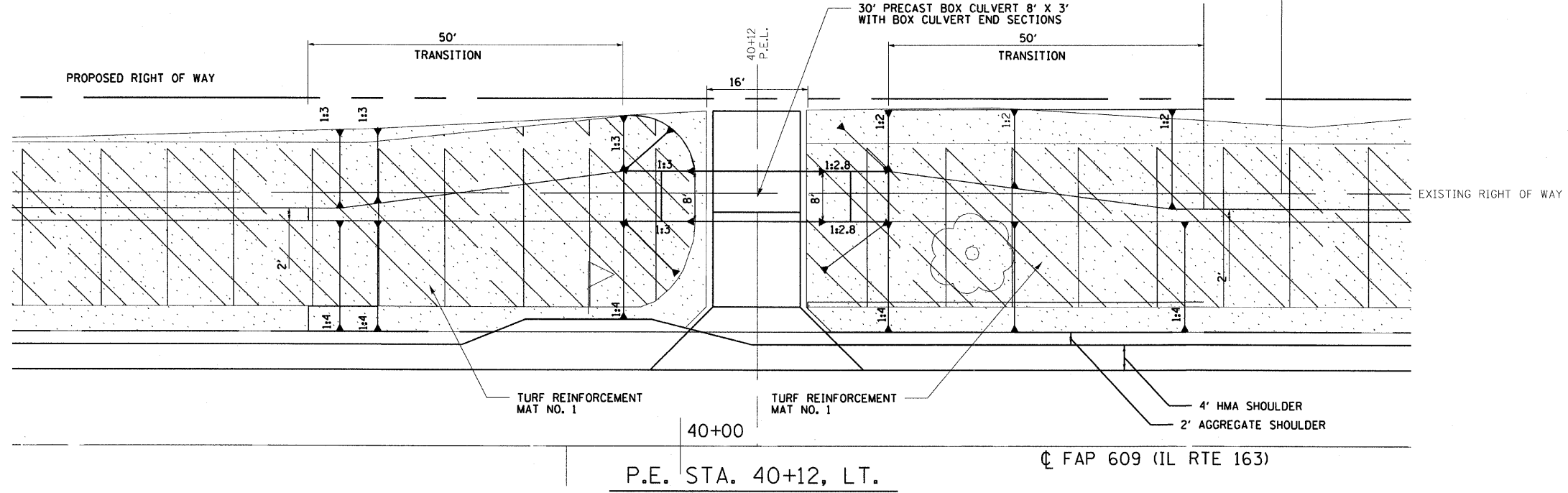
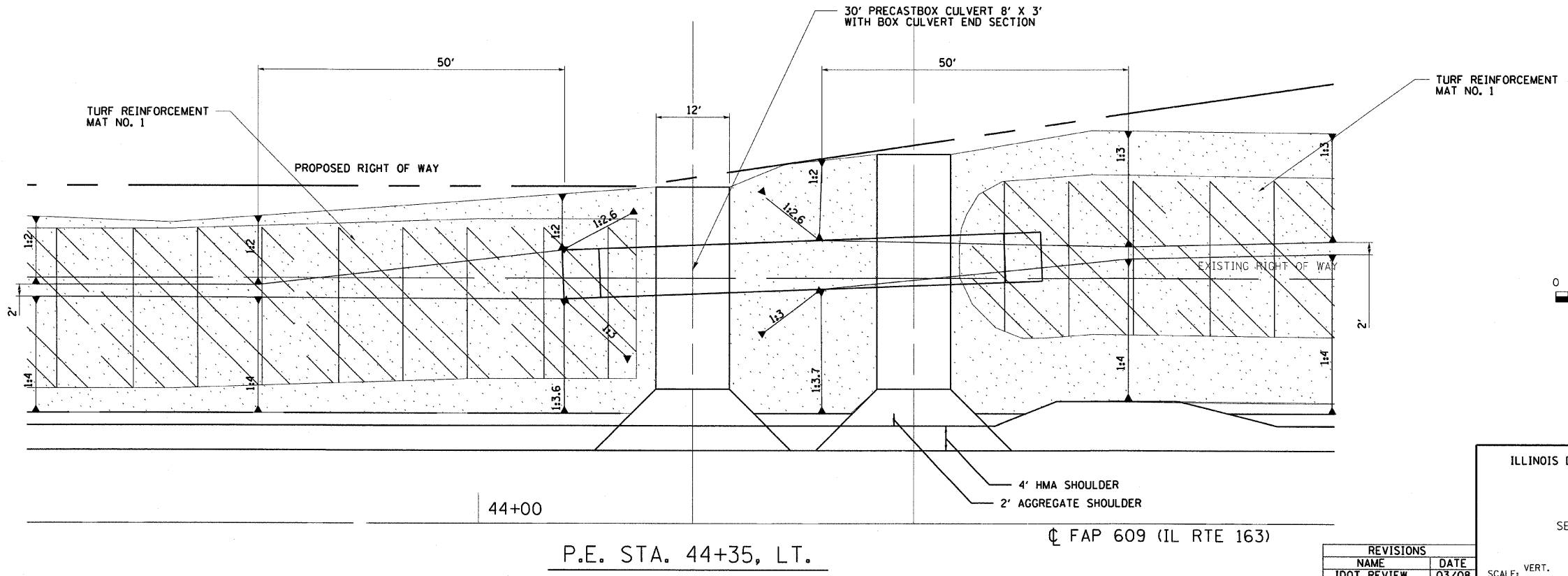


DESIGN		
INT.	DATE	REASON

F.A.P. RTE.	SECTION	COUNTY	TOTAL SHEETS	SHEET NO.
609	***	ST. CLAIR	350	113
STA.		TO STA.		
FED. ROAD DIST. NO.	ILLINOIS	FED. AID PROJECT		
*** 76RS-3, 76-2BR-21				



PLOTS & CHECKS		
INT.	DATE	REASON



CHECKS		
INT.	DATE	REASON

REVISIONS	
NAME	DATE

ILLINOIS DEPARTMENT OF TRANSPORTATION  
**DETAILS**  
 FAP 609 (IL RTE. 163)  
 SECTION 76RS-3, 76-2BR-21  
 ST. CLAIR COUNTY

SCALE: VERT. \_\_\_\_\_  
 HORIZ. \_\_\_\_\_  
 DATE 9/12/07

DRAWN BY: SUTHEARD  
 DESIGNED BY: BOTT  
 CHECKED BY: BOTT

GREENE & BRADFORD, INC.  
 CONSULTING ENGINEERS  
 300 CONSTITUTION DRIVE  
 SPRINGFIELD, ILLINOIS 62761  
 (217) 763-8844

COMPUTER FILE NO.  
 DETAILS01-3  
 PROJECT: 02076  
 09/27/07-FAV

Rev Sheet 10-23-08