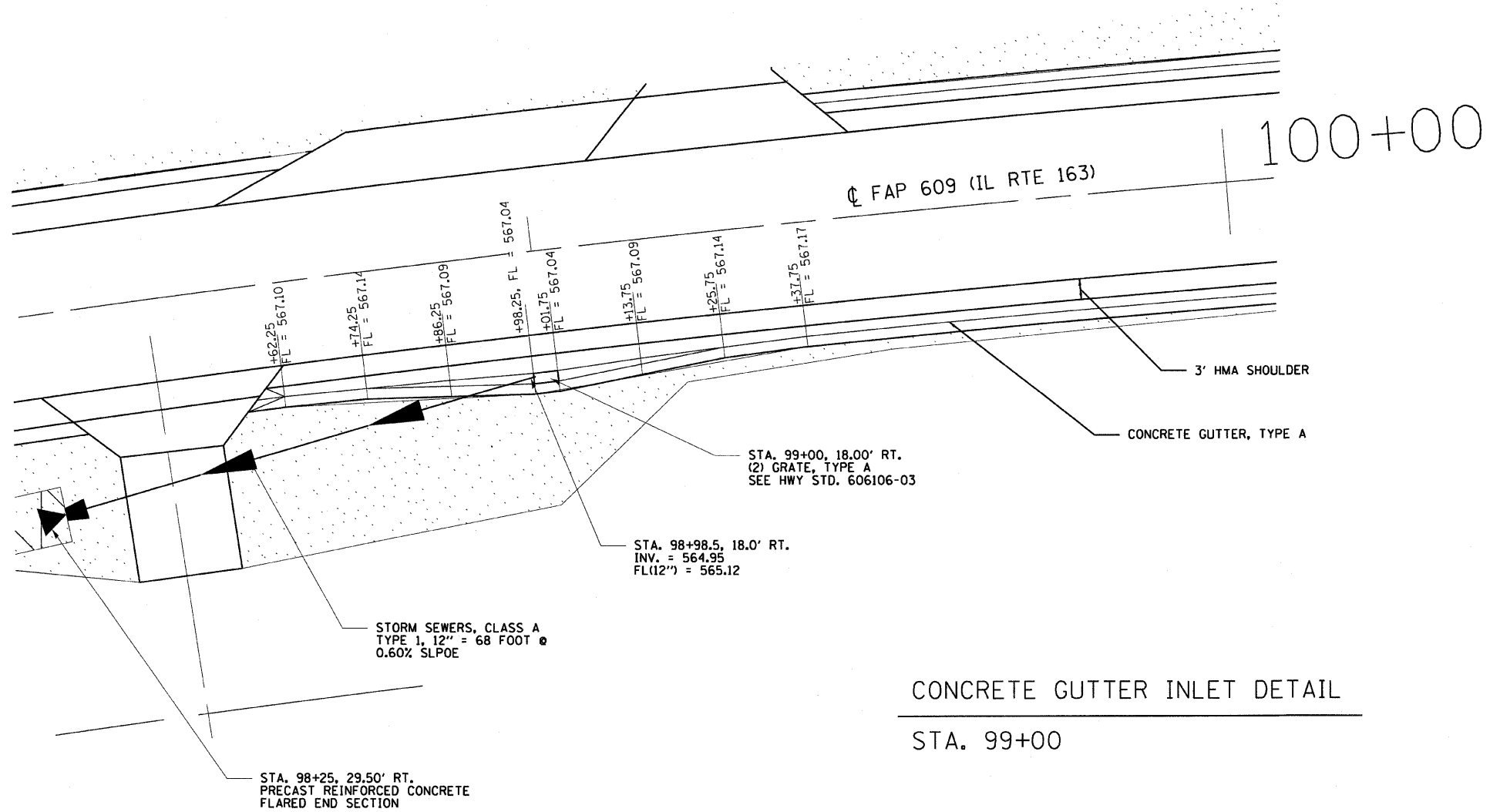


F.A.P. RTE.	SECTION	COUNTY	TOTAL SHEETS	SHEET NO.
609	...	ST. CLAIR	350	111
STA.		TO STA.		
FED. ROAD DIST. NO.		ILLINOIS FED. AID PROJECT		
... 76RS-3, 76-2BR-21				

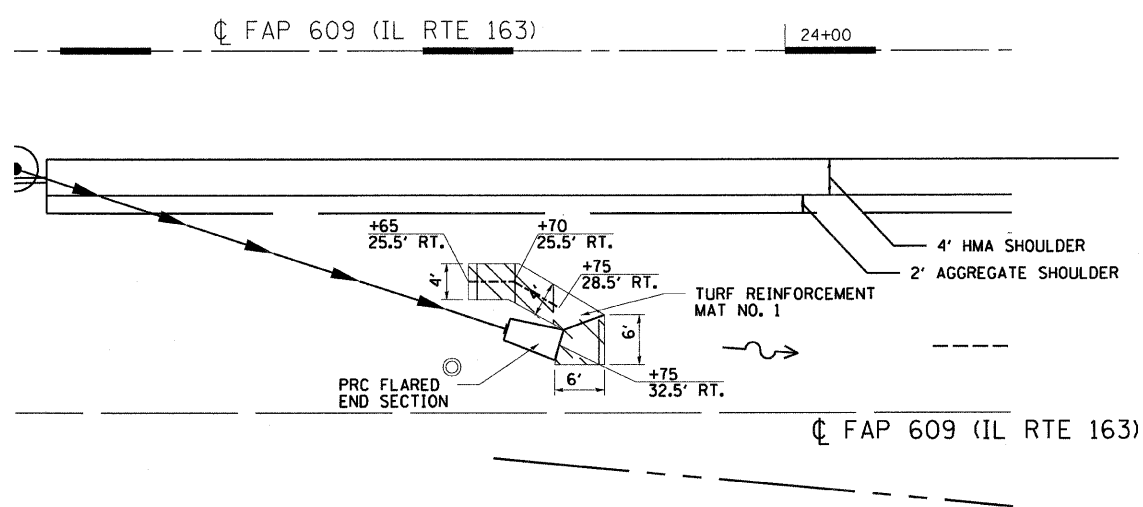
DESIGN		
INT.	DATE	REASON

PLOTS & CHECKS		
INT.	DATE	REASON

CHECKS		
INT.	DATE	REASON



CONCRETE GUTTER INLET DETAIL
STA. 99+00



RIPRAP DETAIL
STA. 23+65

ILLINOIS DEPARTMENT OF TRANSPORTATION
DETAILS
FAP 609 (IL RTE. 163)
SECTION 76RS-3, 76-2BR-21
ST. CLAIR COUNTY

REVISIONS	
NAME	DATE
IDOT REVIEW	03/08

SCALE: VERT. _____
HORIZ. _____
DATE 9/12/07

DRAWN BY: SUTHEARD
DESIGNED BY: BOTT
CHECKED BY: BOTT

GREENE & BRADFORD, INC.
OF SPRINGFIELD
CONSULTING ENGINEERS
3000 CONSTITUTION DRIVE
SPRINGFIELD, ILLINOIS 62707
EST. 1966

COMPUTER FILE NO.
DETAILS01-6
PROJECT: 02076
09/27/07-FAV